

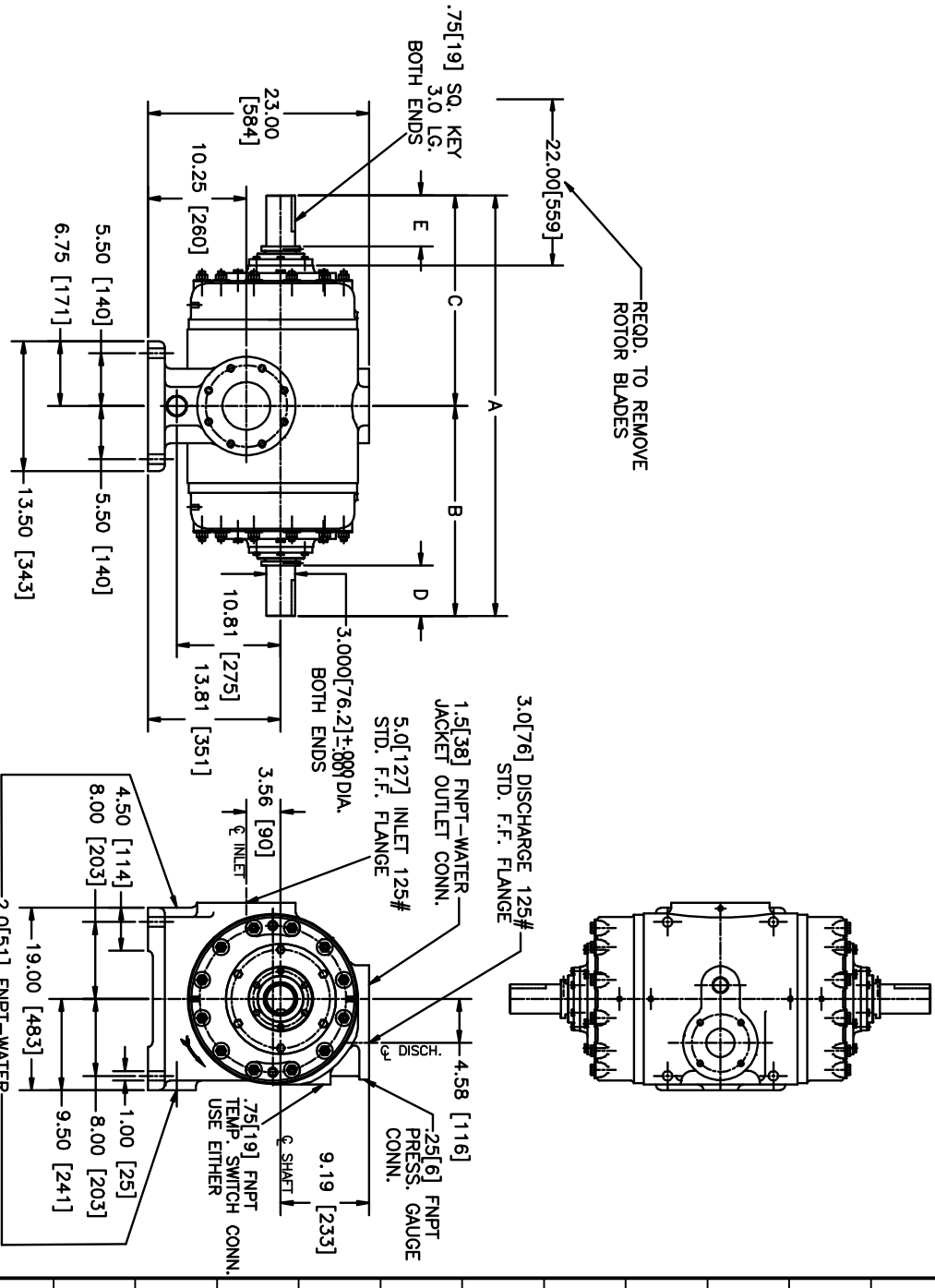
01 4-2-74 MJS MJS
 REDRAWN 02 01-14-92 PTB PTB
 NEW BORDER 03 02-10-98 THS RJP
 UPDATED TABLE 04 02-19-98 THS RJP
 CHGD SEAL DIM 05 06/30/03 JLR RJP
 Ro-Flo Compressors, LLC
 Confidentiality Notice:
 This drawing contains confidential information of
 Ro-Flo Compressors, LLC.
 It may not be shared with third parties or used,
 copied or distributed in any manner without the
 express written permission.

Ro-Flo Compressors

DO NOT SCALE
 CAD GENERATED
 DRAWING DO
 NOT MANUALLY
 UPDATE
 THIRD ANGLE
 PROJECTION
 BREAK ALL SHARP CORNERS
 AND REMOVE BURRS UNLESS
 OTHERWISE SPECIFIED, STAMP
 OR ETCH PART IDENTIFICATION
 IN AREA MARKED
 SIMILAR TO
 MK. -
 FILE NO. NONE
 DR MJS 4-2-74
 CK MJS 4-2-74
 AP MJS 4-2-74

UNLESS OTHERWISE
 SPECIFIED
 1-PLACE DEC.#.060
 2-PLACE DEC.#.030
 3-PLACE DEC.#.010
 ANGULAR
 TOLERANCE
 ±
 NONE
 MACHINED
 SURFACE
 TEXTURE
 WGT. R
 NAME STANDARD DIMENSIONS
 211M RO-FLO
 DOUBLE EXTENSION SHAFT
 SCALE SHEET PART NO
 1:17 1/1 16-123-618-404
 ISSUE 05

ALL DIMENSIONS ARE IN INCHES[mm] AND SUBJECT
 TO CHANGE WITHOUT PRIOR NOTICE.



	A	B	C	D	E	WEIGHT
MECHANICAL SEAL	43.76 [1110]	21.88 [556]	21.88 [556]	5.37 [136]	5.37 [136]	1425 [646kg]
DOUBLE FACE SEAL	49.25 [1251]	24.62 [625]	24.62 [625]	5.50 [140]	5.50 [140]	1475 [669kg]

B C D E F
 A B C D E F