

01	12-3-93	RJP	RJP
02	1-19-94	PAJ	PAJ
03	2-20-98	THS	RJP
04	06/30/03	JLR	RJP
ADDED MECH SEAL DIMS			
NEW BORDER			
CHGD MECH. DIM PER DCN 98548			

Ro-Flo
 Compressors

Confidentiality Notice: This drawing contains confidential information of Ro-Flo Compressors, LLC. It may not be shared in any manner without express written permission.

DR RJP 12-3-93
 CK RJP 12-3-93
 AP RJP 12-3-93

FILE NO. NONE

MK. -

SIMILAR TO

DO NOT SCALE
 CAD GENERATED
 DRAWING DO NOT MANUALLY UPDATE.
 PROJECTION

BREAK ALL SHARP CORNERS AND REMOVE BURRS UNLESS OTHERWISE SPECIFIED. STAMP OR ETCH PART IDENTIFICATION IN AREA MARKED

SCALE 1:14
 SHEET 1/1
 PART NO 16-123-618-407

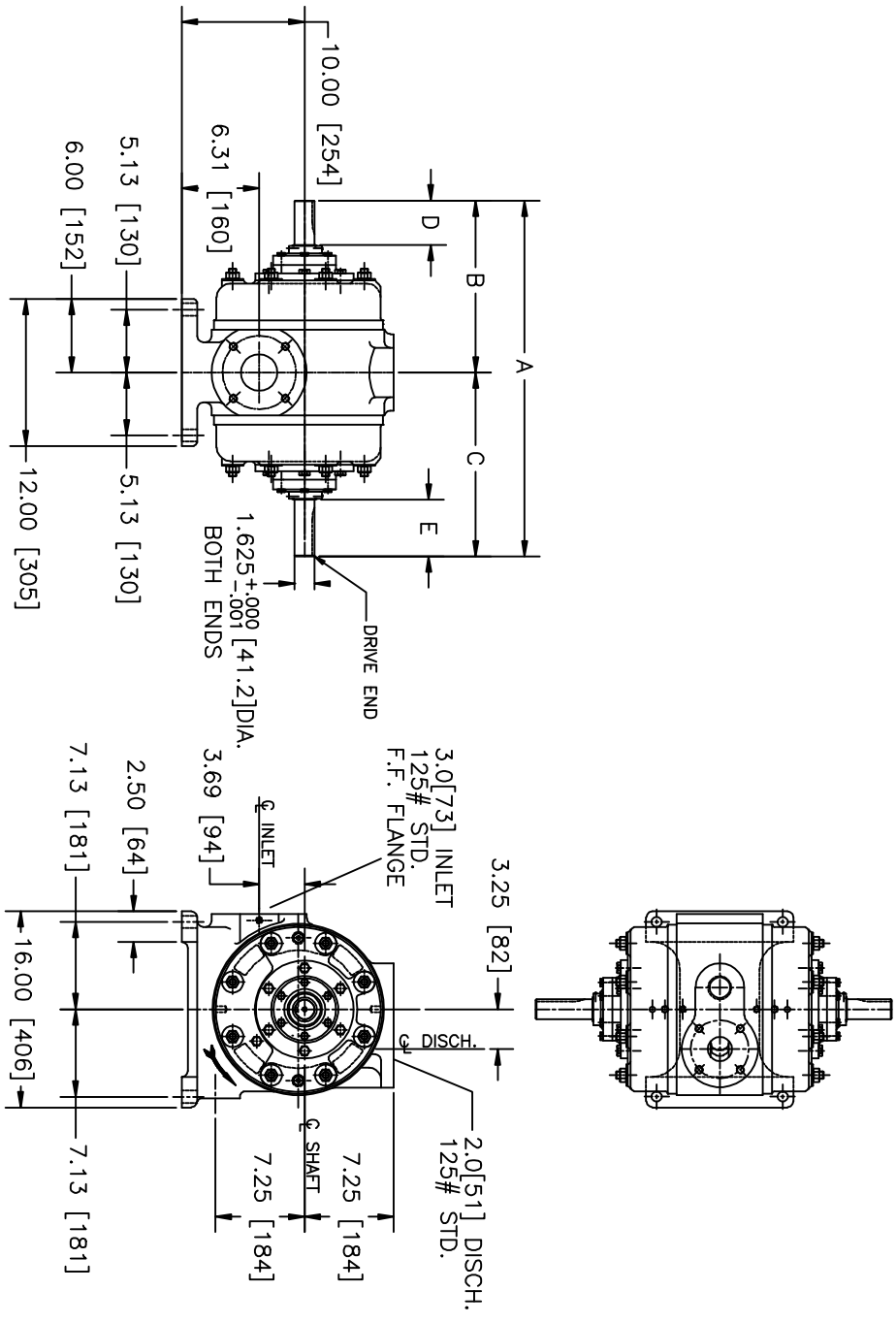
MATL. DOUBLE EXTENSION SHAFT

NAME STANDARD DIMENSIONS
 206 RO-FLO CCM

WGT. F - R -
 ANGULAR TOLERANCE ±

UNLESS OTHERWISE SPECIFIED
 1-PLACE DEC.±.060
 2-PLACE DEC.±.030
 3-PLACE DEC.±.010

ALL DIMENSIONS ARE IN INCHES[mm] AND SUBJECT TO CHANGE WITHOUT PRIOR NOTICE



	A	B	C	D	E	WEIGHT
MECHANICAL	29.00[737]	14.00[356]	15.00[381]	2.62[67]	3.58[91]	560[254kg]
DOUBLE FACE SEAL	31.00[787]	15.00[381]	16.00[406]	3.00[76]	4.00[102]	587[266kg]

A B C D E F