

01	2-3-77	MJS	MJS
REDRAWN			
02	5-28-91	PTB	PTB
REDRAWN			
03	1-2-92	PTB	PTB
REDRAWN			
04	01-8-98	THS	RJP
NEW BORDER			
05	06/30/03	JLR	RJP
CHGD MECH. SEAL DIM.			
DCN 98548			

Ro-Flo Compressors

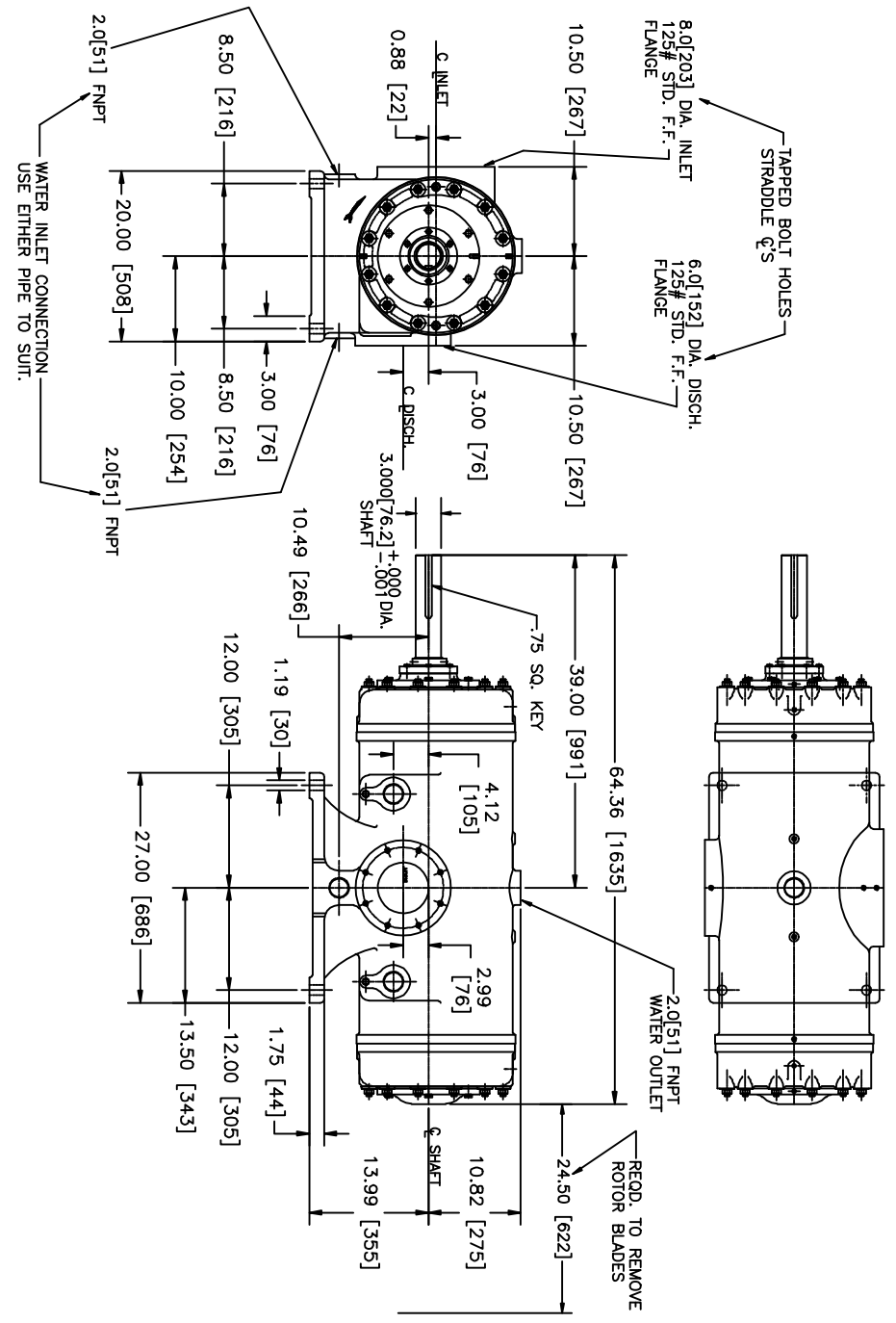
Confidentiality Notice:
 The drawing contains confidential information of
 Ro-Flo Compressors, LLC
 It may not be shared with third parties or used,
 copied or distributed in any manner without the
 express written permission

AP	MJS	2-3-77
CK	MJS	2-3-77
DR	MJS	2-3-77
FILE NO.	NONE	
SIMILAR TO	MK. -	

SCALE	NONE	SHEET	1/1	PART NO	16-123-633-409	ISSUE	05
NAME	STANDARD DIMENSIONS FOR 12L RO-FLO RIGHT HAND						
MAT'L							
MACHINED SURFACE	✓	WGT.	R	ANGULAR TOLERANCE	±	1-PLACE DEC. ±.060	2-PLACE DEC. ±.030
DO NOT SCALE		DO NOT MANUALLY UPDATE		CAD GENERATED		UNLESS OTHERWISE SPECIFIED	
THIRD ANGLE PROJECTION		BREAK ALL SHARP CORNERS AND REMOVE BURRS UNLESS OTHERWISE SPECIFIED, STAMP OR ETCH PART IDENTIFICATION IN AREA MARKED					

ALL DIMENSIONS ARE IN INCHES [mm] AND SUBJECT TO CHANGE WITHOUT PRIOR NOTICE.

WEIGHT (APPROX)
 12L RO-FLO 2450#[1111]



A B C D E F

1 2 3 4