

Ro-Flo Compressors

Ro-Flo Compressors, LLC
 Confidentiality Notice:
 This drawing contains confidential information of
 Ro-Flo Compressors, LLC.
 It may not be shared in any third parties or used,
 copied or distributed in any manner without the
 express written permission

DR MBL 6-20-07
 CK MLB 6-20-07
 AP _____

FILE NO. NONE
 SIMILAR TO MK. -
 BREAK ALL SHARP CORNERS
 AND REMOVE BURRS UNLESS
 OTHERWISE SPECIFIED. STAMP
 OR ETCH PART IDENTIFICATION
 IN AREA MARKED

DO NOT SCALE
 CAD GENERATED
 DRAWING DO
 NOT MANUALLY
 UPDATE.
 THIRD ANGLE
 PROJECTION

SCALE 1:14
 SHEET 1/1
 PART NO 16-123-618-506
 ISSUE 01

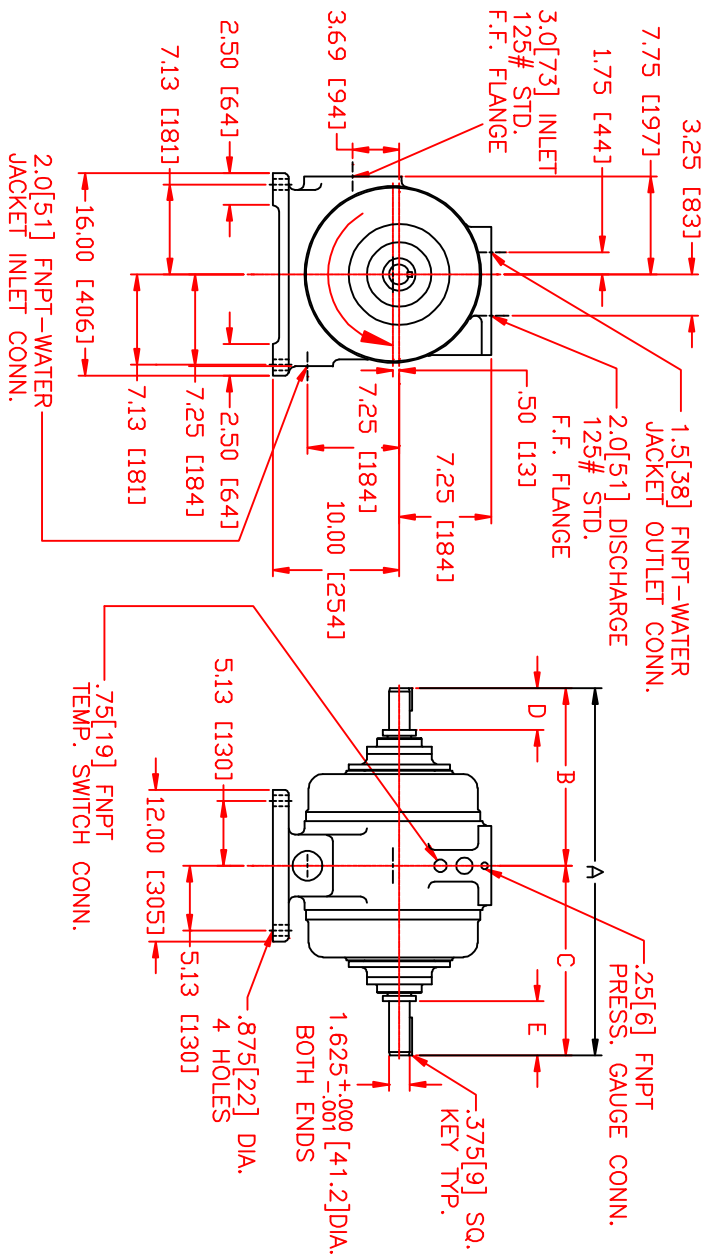
NAME STANDARD DIMENSIONS
 207 RO-FLO
 DOUBLE EXTENSION SHAFT

MAT'L NONE

WGT. P -
 F -
 ANGULAR TOLERANCE ±

UNLESS OTHERWISE SPECIFIED
 1-PLACE DEC.:.060
 2-PLACE DEC.:.030
 3-PLACE DEC.:.010

ALL DIMENSIONS ARE IN INCHES[mm] AND SUBJECT TO CHANGE WITHOUT PRIOR NOTICE



	A	B	C	D	E	WEIGHT
MECHANICAL	29.00[737]	14.00[356]	15.00[381]	2.62[67]	3.58[91]	560[254kg]
DOUBLE FACE SEAL	31.00[787]	15.00[381]	16.00[406]	3.00[76]	4.00[102]	587[266kg]