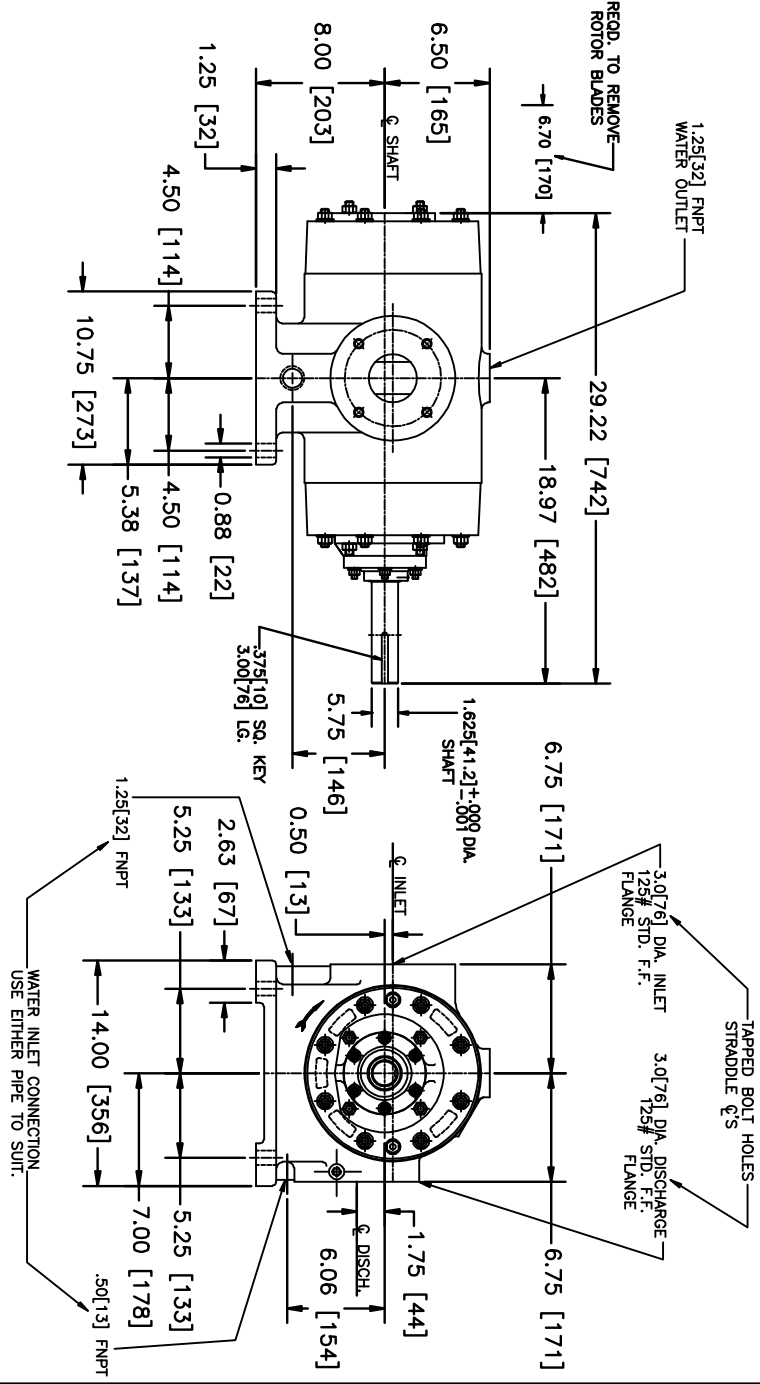
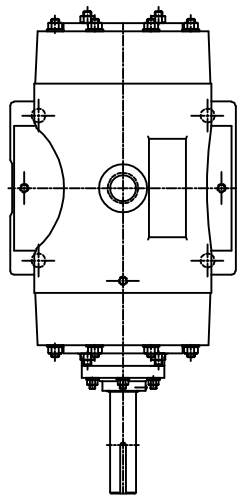


01	MJS	MJS	2-3-77
02	REDRAW	PJB	5-22-91
03	REDRAW	PJB	1-6-92
04	NEW BORDER	PJB	1-7-98
05	CHGD MECH SEAL DIM.	JLR	06/30/03

**Ro-Flo**  
 Confidentiality Notice:  
 The drawing contains confidential information of  
 Ro-Flo Compressors, LLC.  
 It may not be shared in any manner without the  
 express written permission  
 of Ro-Flo Compressors, LLC

DR	MJS	2-3-77
CK	MJS	2-3-77
AP	MJS	2-3-77
FILE NO.	NONE	
SIMILAR TO	MK. -	

SCALE	NONE	SHEET	1/1	PART NO	16-123-633-402	ISSUE	05
STANDARD DIMENSIONS FOR 7D RO-FLO RIGHT HAND							
DO NOT SCALE DRAWING DO CAD GENERATED PROFESSION THRO ANGLE NOT MANUALLY UPDATE.	DO NOT SCALE DRAWING DO CAD GENERATED PROFESSION THRO ANGLE NOT MANUALLY UPDATE.	DO NOT SCALE DRAWING DO CAD GENERATED PROFESSION THRO ANGLE NOT MANUALLY UPDATE.	DO NOT SCALE DRAWING DO CAD GENERATED PROFESSION THRO ANGLE NOT MANUALLY UPDATE.	DO NOT SCALE DRAWING DO CAD GENERATED PROFESSION THRO ANGLE NOT MANUALLY UPDATE.	DO NOT SCALE DRAWING DO CAD GENERATED PROFESSION THRO ANGLE NOT MANUALLY UPDATE.	DO NOT SCALE DRAWING DO CAD GENERATED PROFESSION THRO ANGLE NOT MANUALLY UPDATE.	DO NOT SCALE DRAWING DO CAD GENERATED PROFESSION THRO ANGLE NOT MANUALLY UPDATE.



ALL DIMENSIONS ARE IN INCHES [mm] AND SUBJECT TO CHANGE WITHOUT PRIOR NOTICE

WEIGHT (APPROX)  
 7D RO-FLO 510# [231kg]