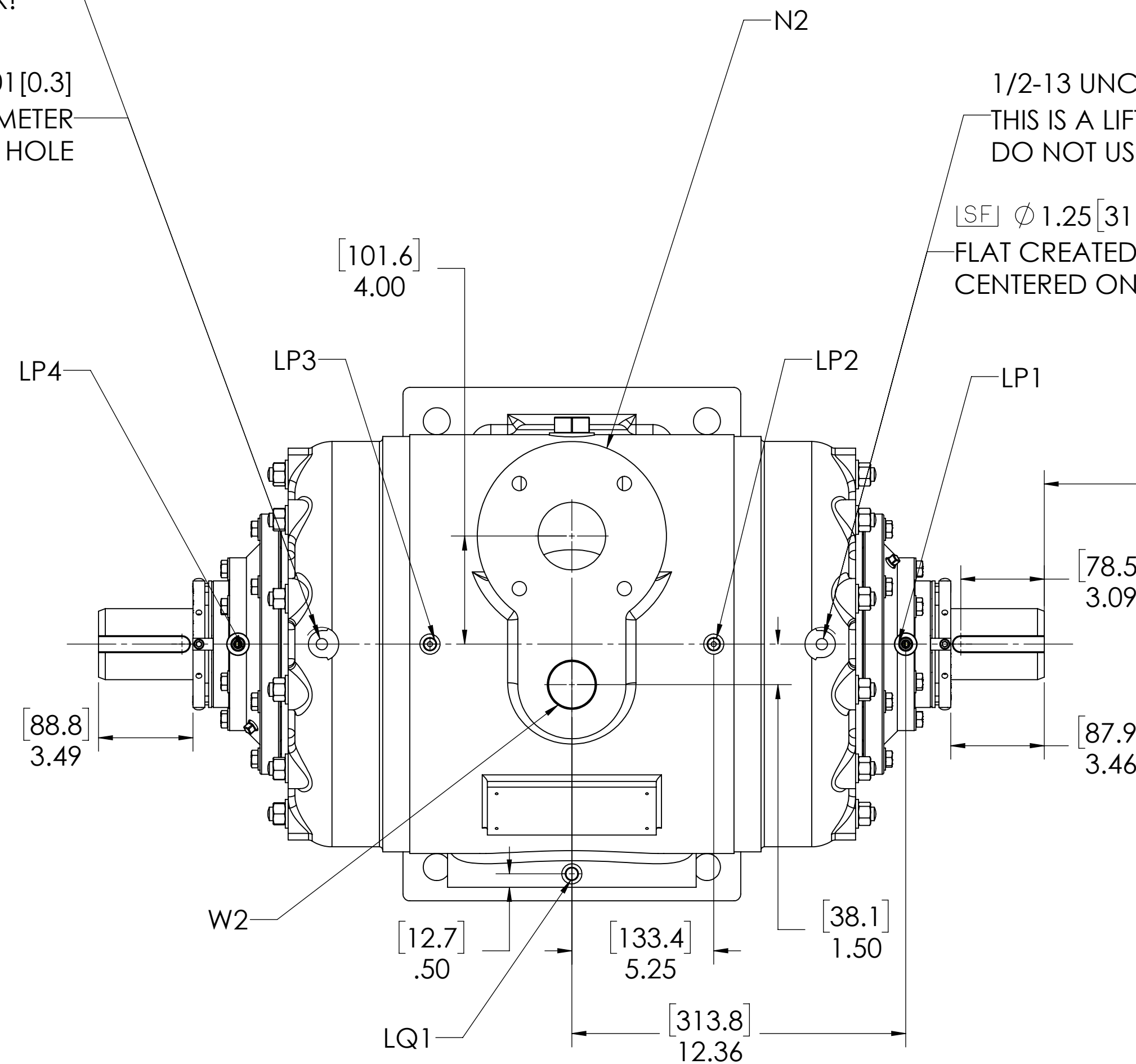


THIS IS A LIFTING HOLE FOR CYLINDER HEAD (MAINTENANCE) ONLY.
DO NOT USE THIS HOLE FOR LIFTING COMPRESSOR!

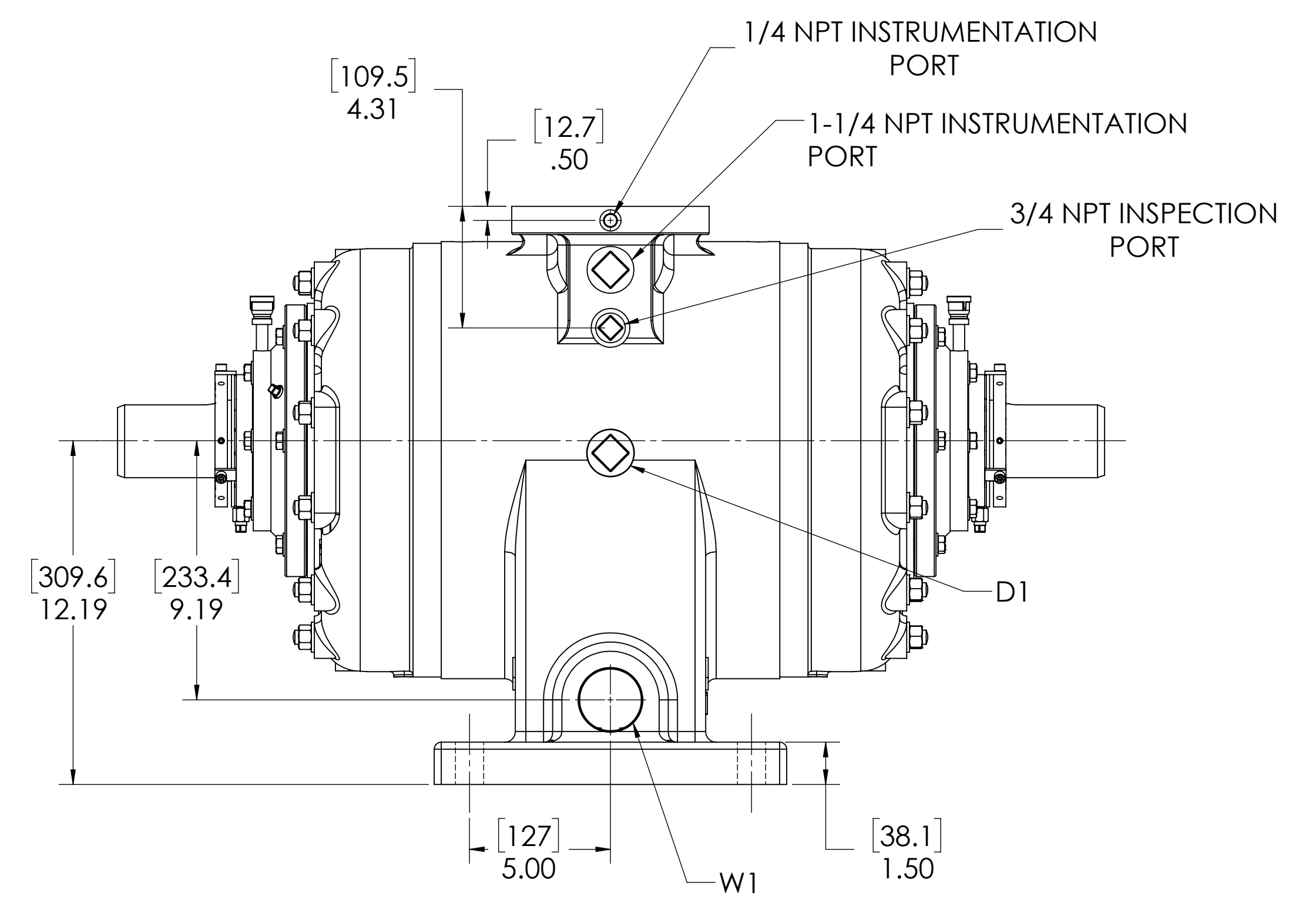
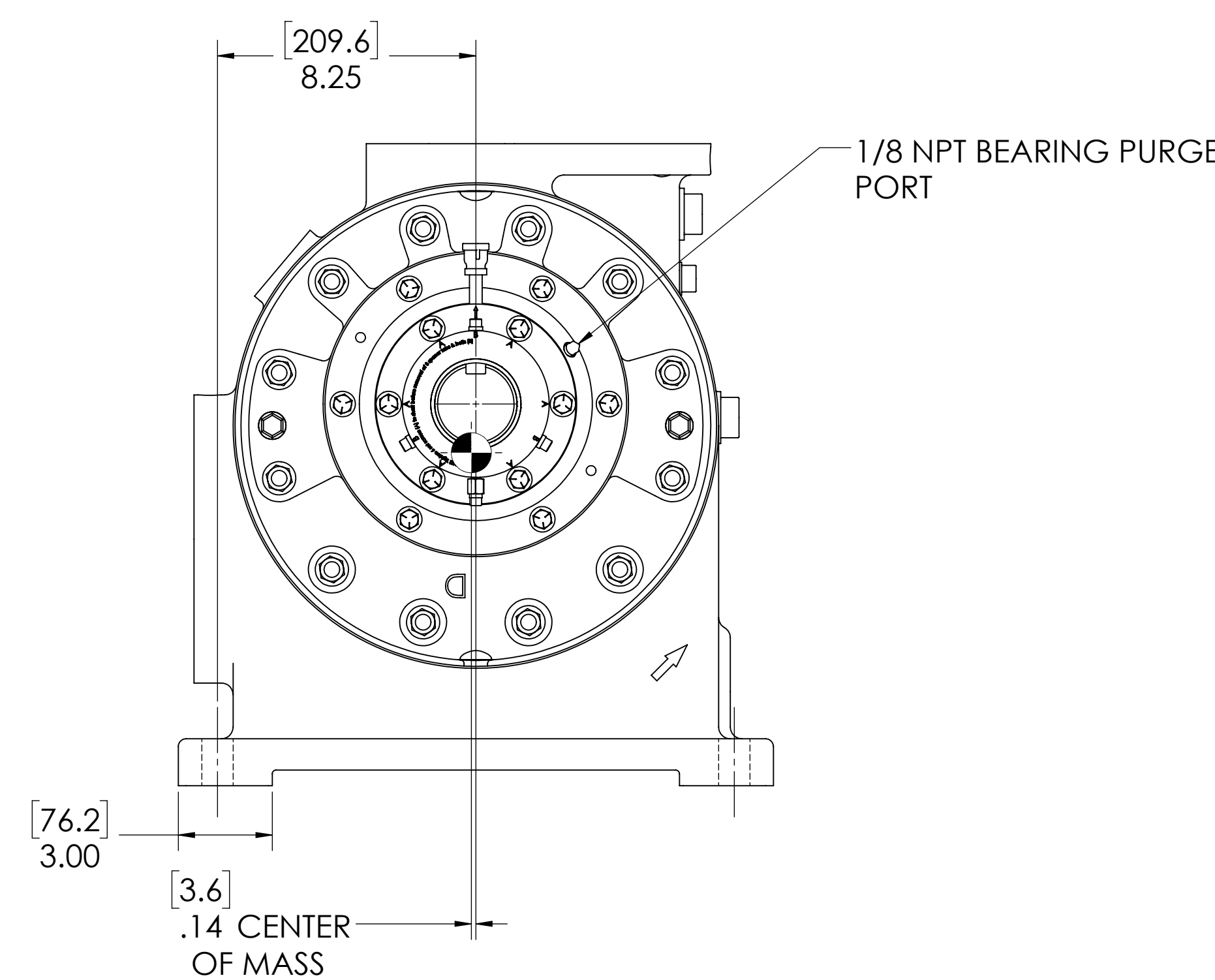
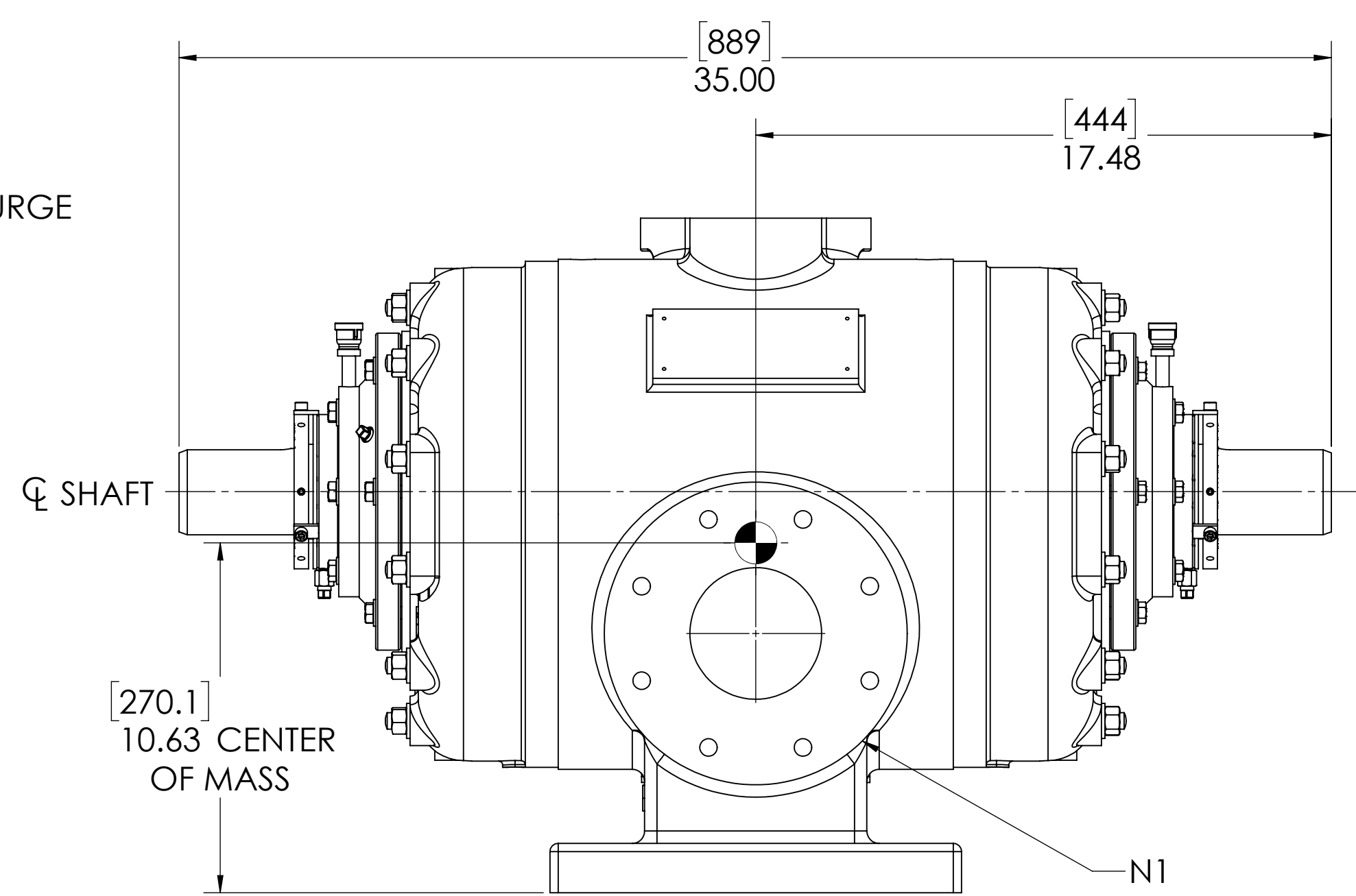
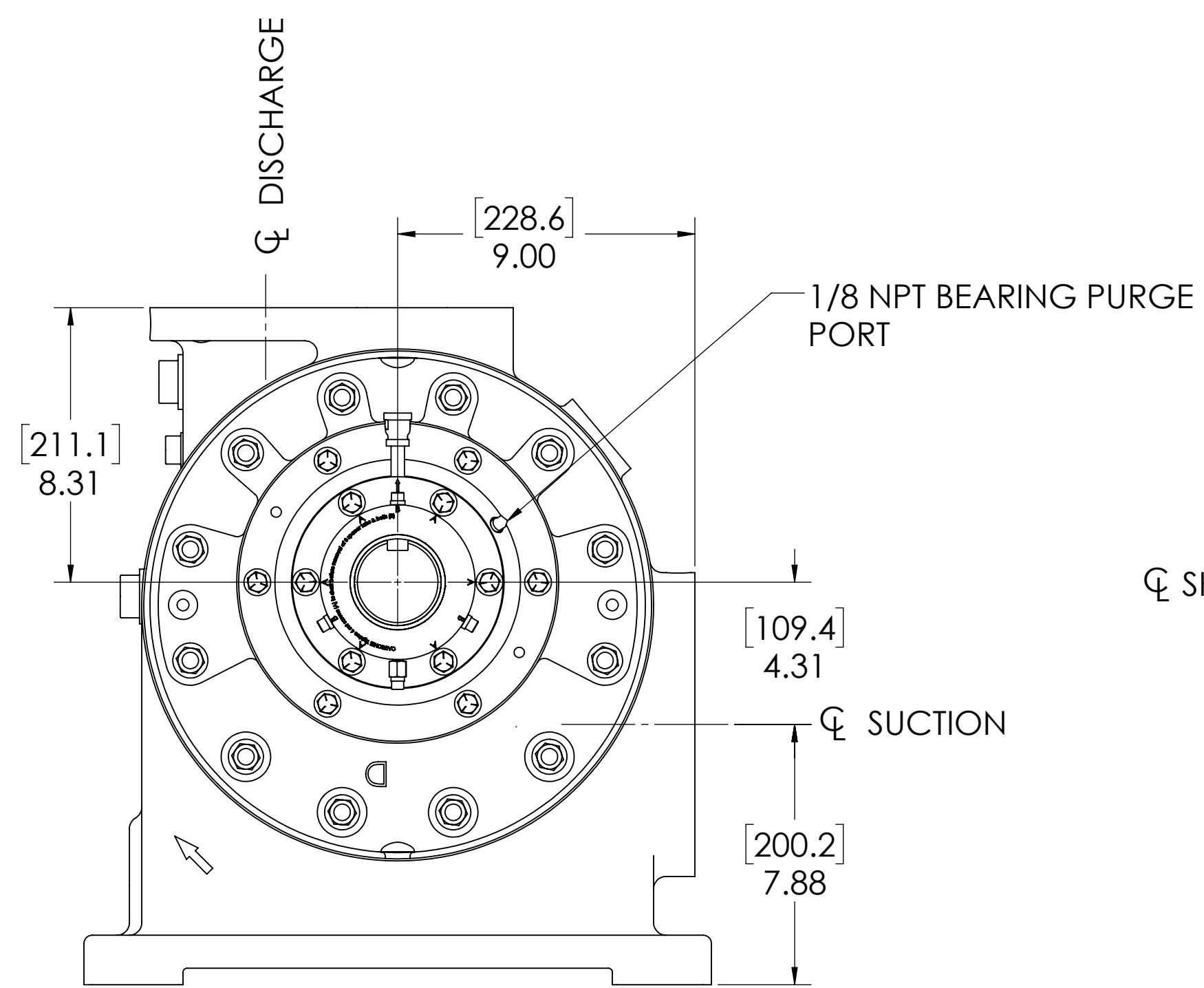
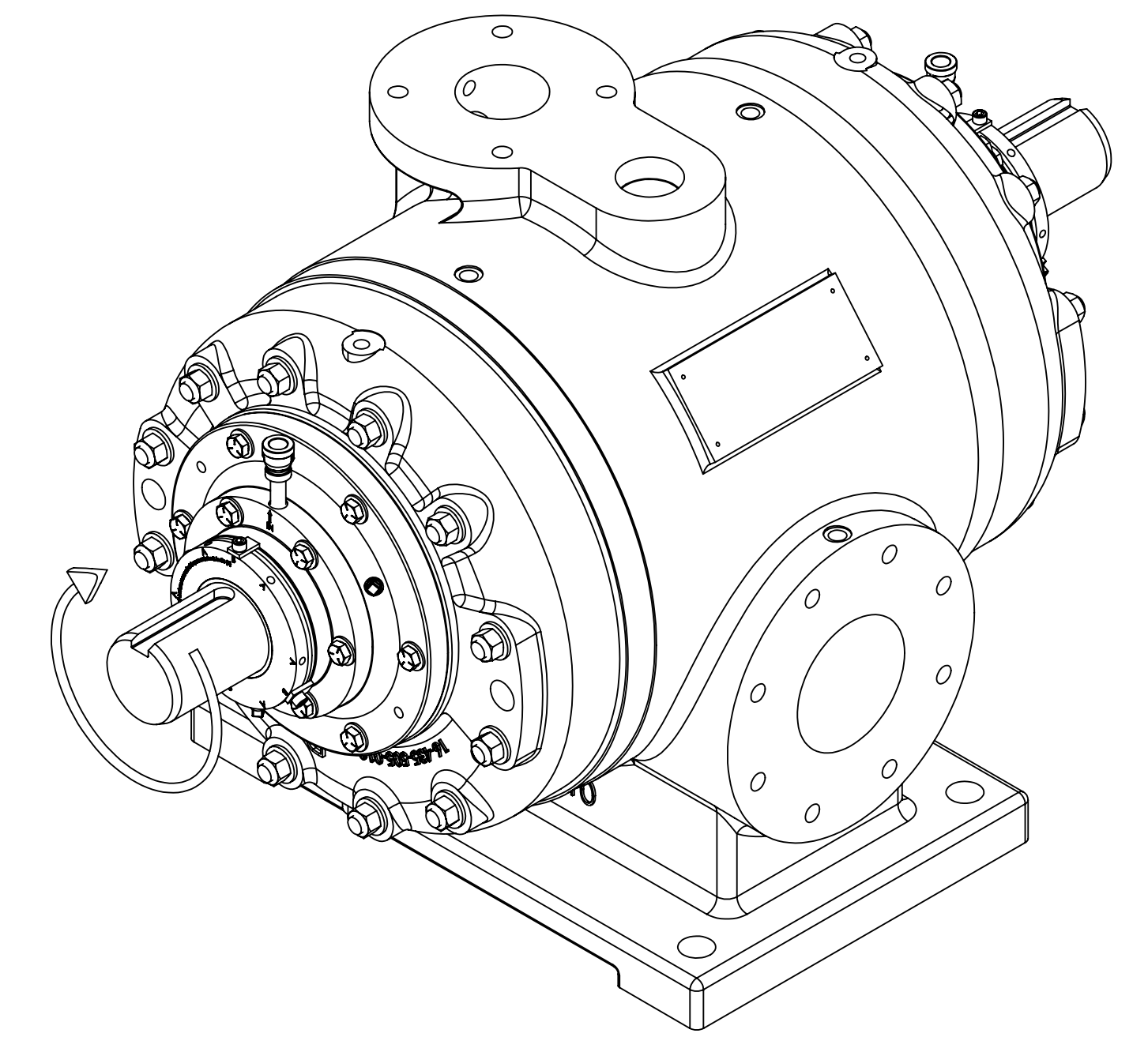
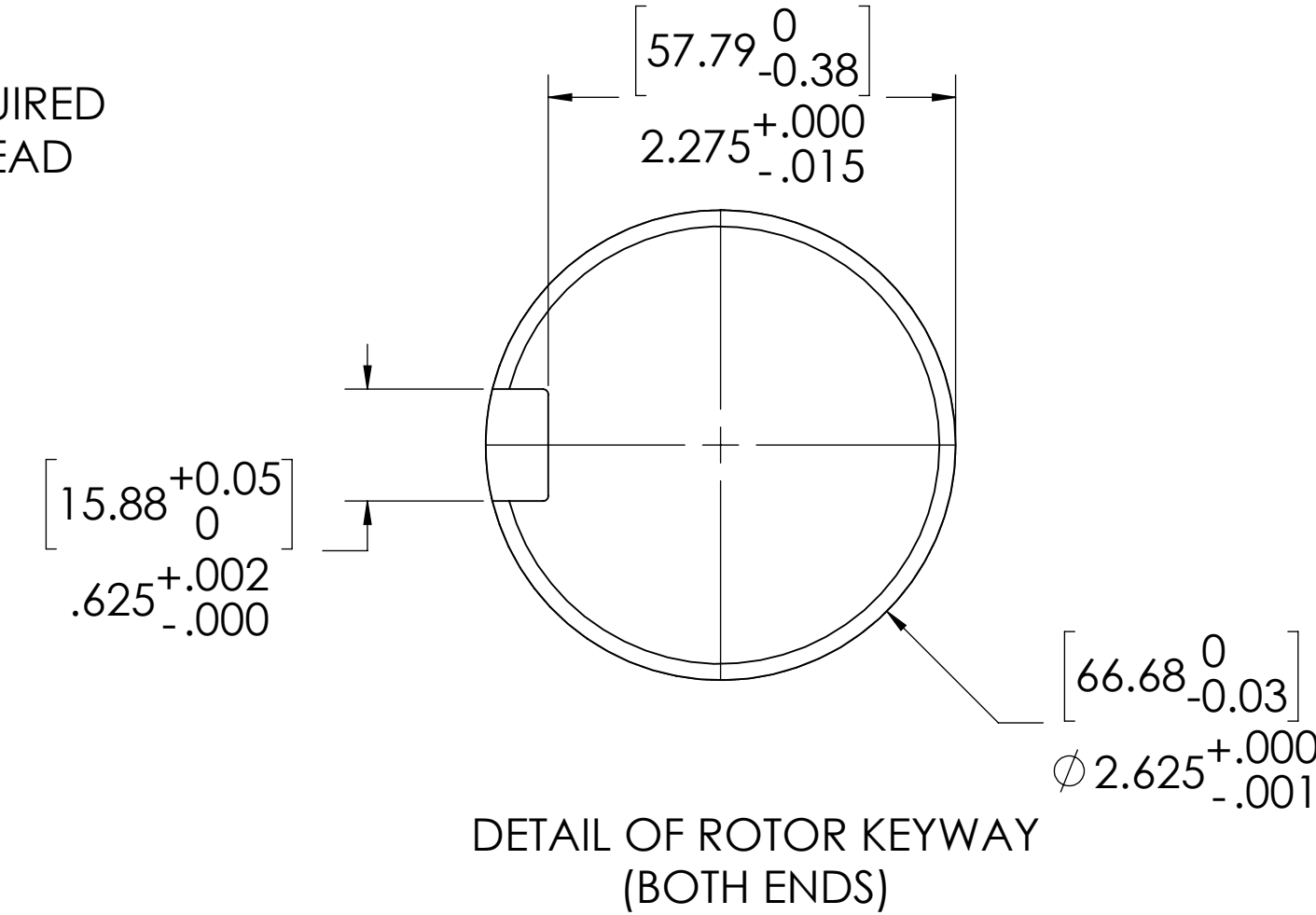
[SF] $\phi 1.25$ [31.8] $\nabla .01$ [0.3]
FLAT CREATED FOR MOUNTING ACCELEROMETER
CENTERED ON LIFTING HOLE



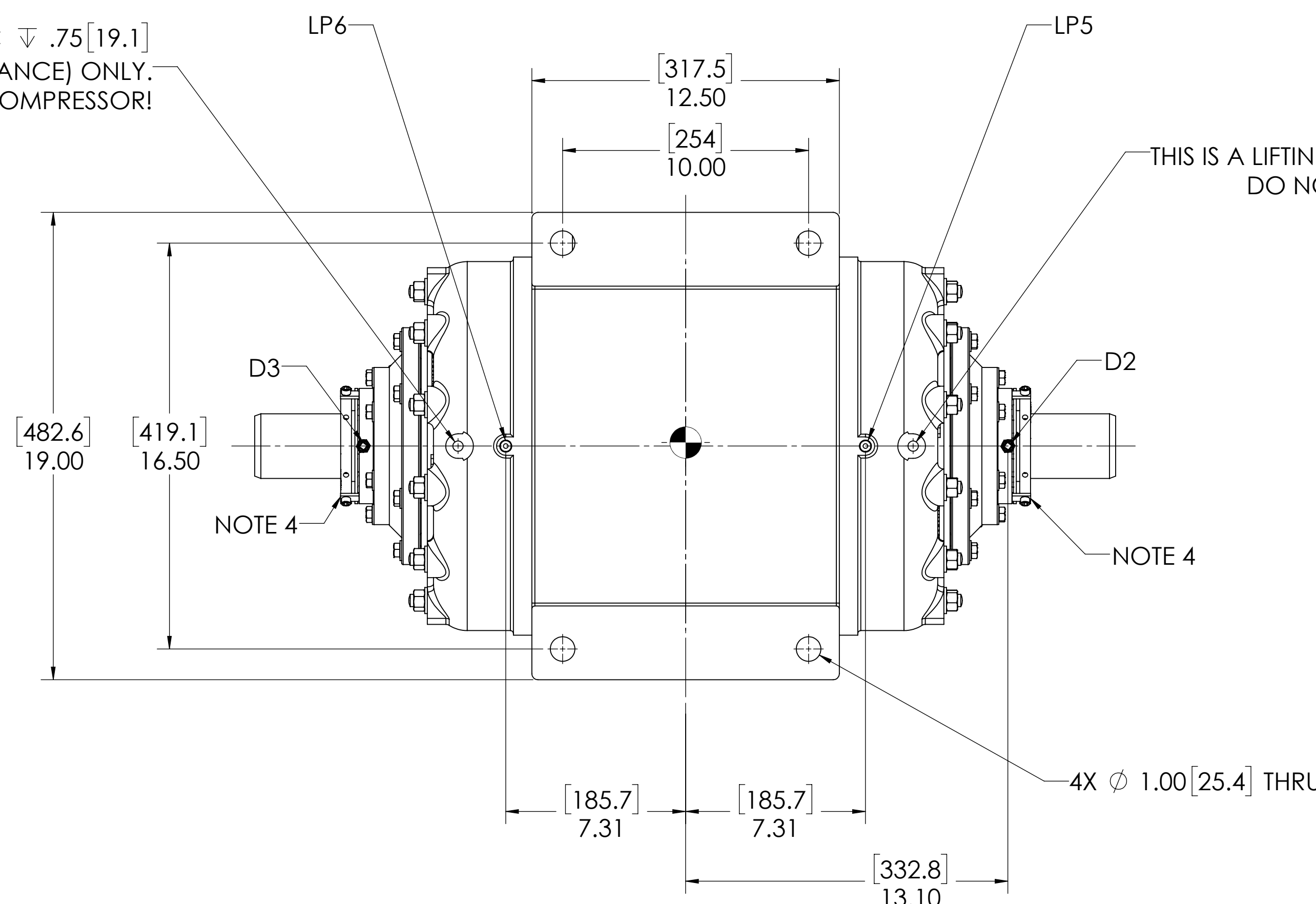
THIS IS A LIFTING HOLE FOR CYLINDER HEAD (MAINTENANCE) ONLY.
DO NOT USE THIS HOLE FOR LIFTING COMPRESSOR!

[SF] $\phi 1.25$ [31.8] $\nabla .01$ [0.3]
FLAT CREATED FOR MOUNTING ACCELEROMETER
CENTERED ON LIFTING HOLE

[162.1]
6.38 CLEARANCE REQUIRED
TO REMOVE CYLINDER HEAD
WITH SEAL ADAPTER
AND ROTOR BLADES
(BOTH ENDS)



THIS IS A LIFTING HOLE FOR CYLINDER HEAD (MAINTENANCE) ONLY.
DO NOT USE THIS HOLE FOR LIFTING COMPRESSOR!



THIS IS A LIFTING HOLE FOR CYLINDER HEAD (MAINTENANCE) ONLY.
DO NOT USE THIS HOLE FOR LIFTING COMPRESSOR!

OIL CONNECTION POINTS SUMMARY		
(REFER TO MANUAL FOR FURTHER INFORMATION)		
DESCRIPTION	THREAD SIZE	QTY
OIL QUILL (LQx)	1/4 NPT	1
LUBE POINTS (LPx)	1/4 NPT	6

NOZZLE CONNECTIONS		BOLT HOLE SIZE
N1	4" GAS SUCTION FLANGE (ANSI CLASS 150 FLAT FACE)	8 x 5/8-11 $\nabla 1.00$
N2	2.5" GAS DISCHARGE FLANGE (ANSI CLASS 150 FLAT FACE)	4 x 5/8-11 $\nabla 1.00$
W1	2 NPT(F) WATER INLET (SEE NOTE 2)	N/A
W2	1-1/2 NPT(F) WATER OUTLET	N/A
D1	1-1/4 NPT(F) DRAIN HOLE	N/A
D2	1/8 NPT(F) SEAL WEEPAGE DRAIN	N/A
D3	1/8 NPT(F) SEAL WEEPAGE DRAIN	N/A

- NOTES:
- CENTER OF MASS DIMENSIONS ARE APPROXIMATE
 - WEIGHT IS APPROXIMATE
 - THIS DRAWING IS DUAL DIMENSION. DIMENSIONS WITHOUT BRACKETS ARE IN INCHES, DIMENSIONS IN [BRACKETS] ARE IN MILLIMETERS.
 - REMOVE (3) RED SEAL LOCKING TABS BEFORE OPERATION. RETAIN TABS AND SCREWS FOR SERVICE (TABS MUST BE INSTALLED BEFORE SEAL REMOVAL).