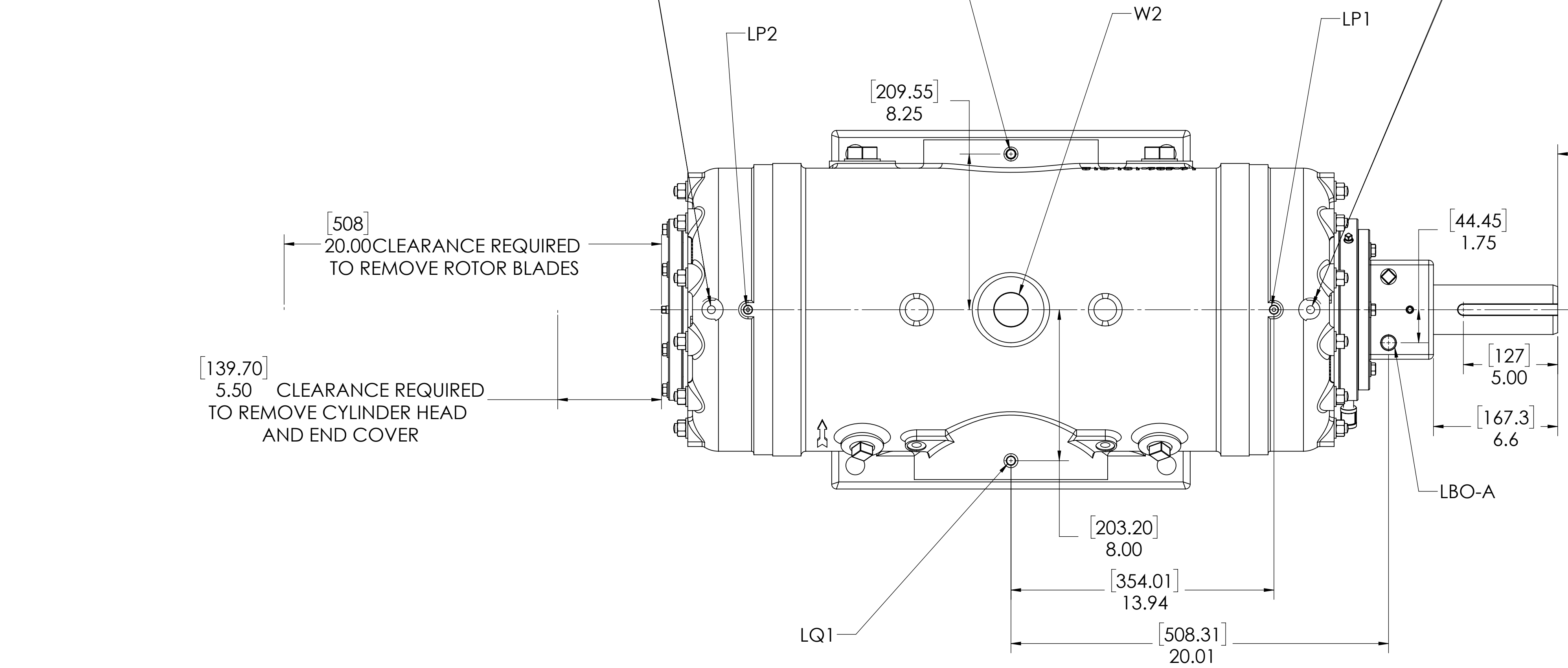
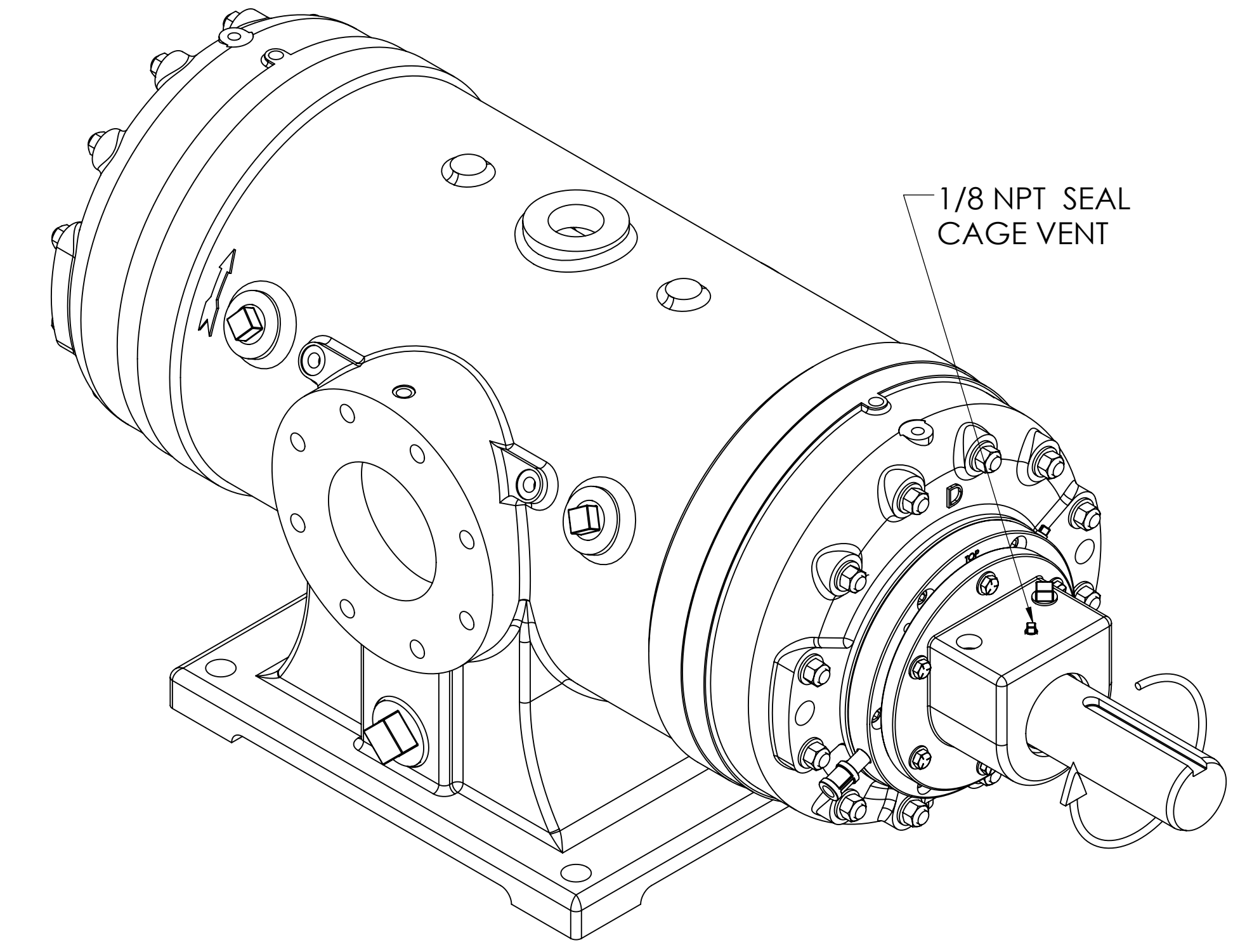


1/2-13 UNC ∇ .75 [19.05]
THIS IS A LIFTING HOLE FOR CYLINDER HEAD (MAINTENANCE) ONLY.
DO NOT USE THIS HOLE FOR LIFTING CYLINDER!

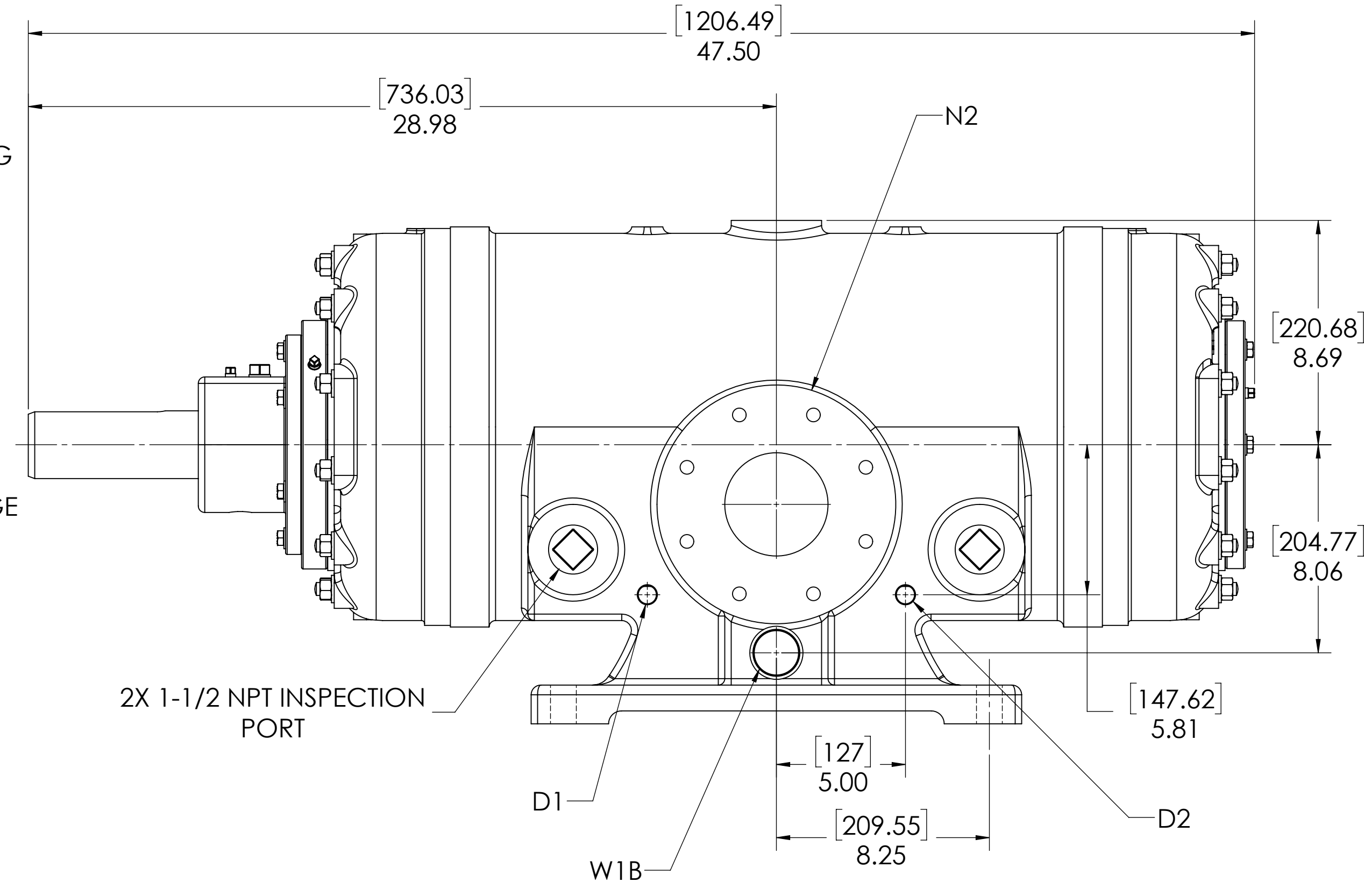
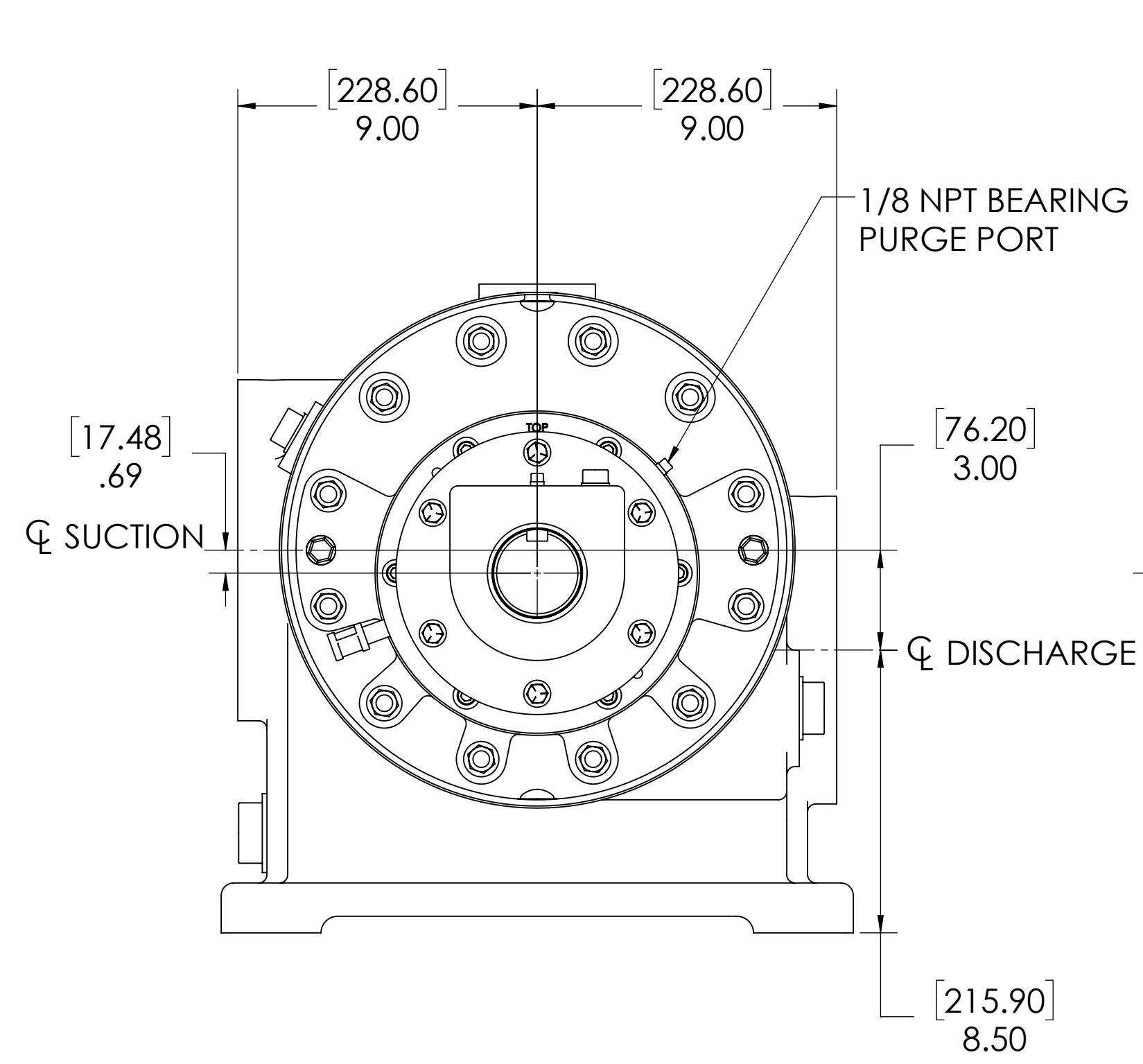
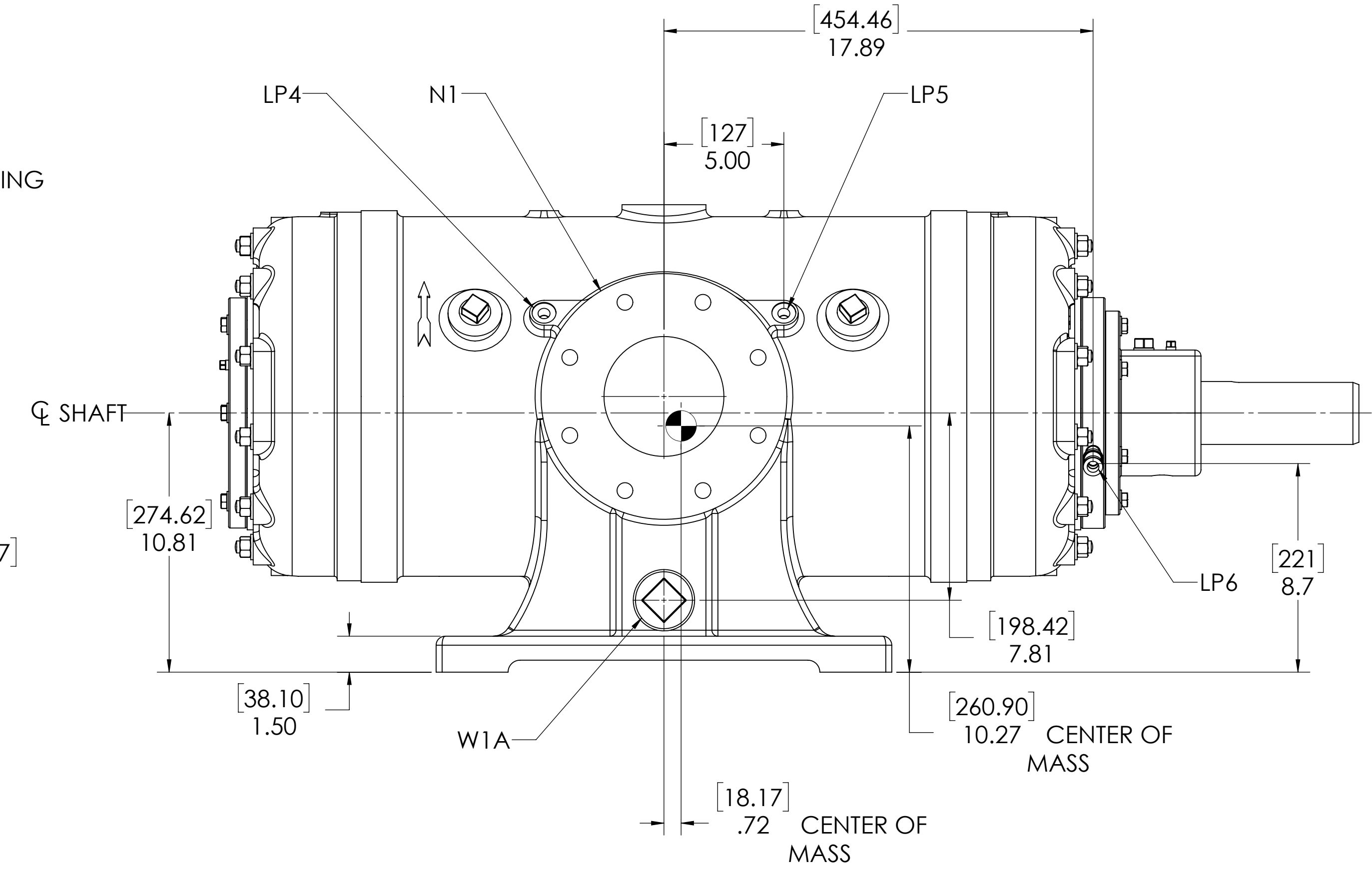
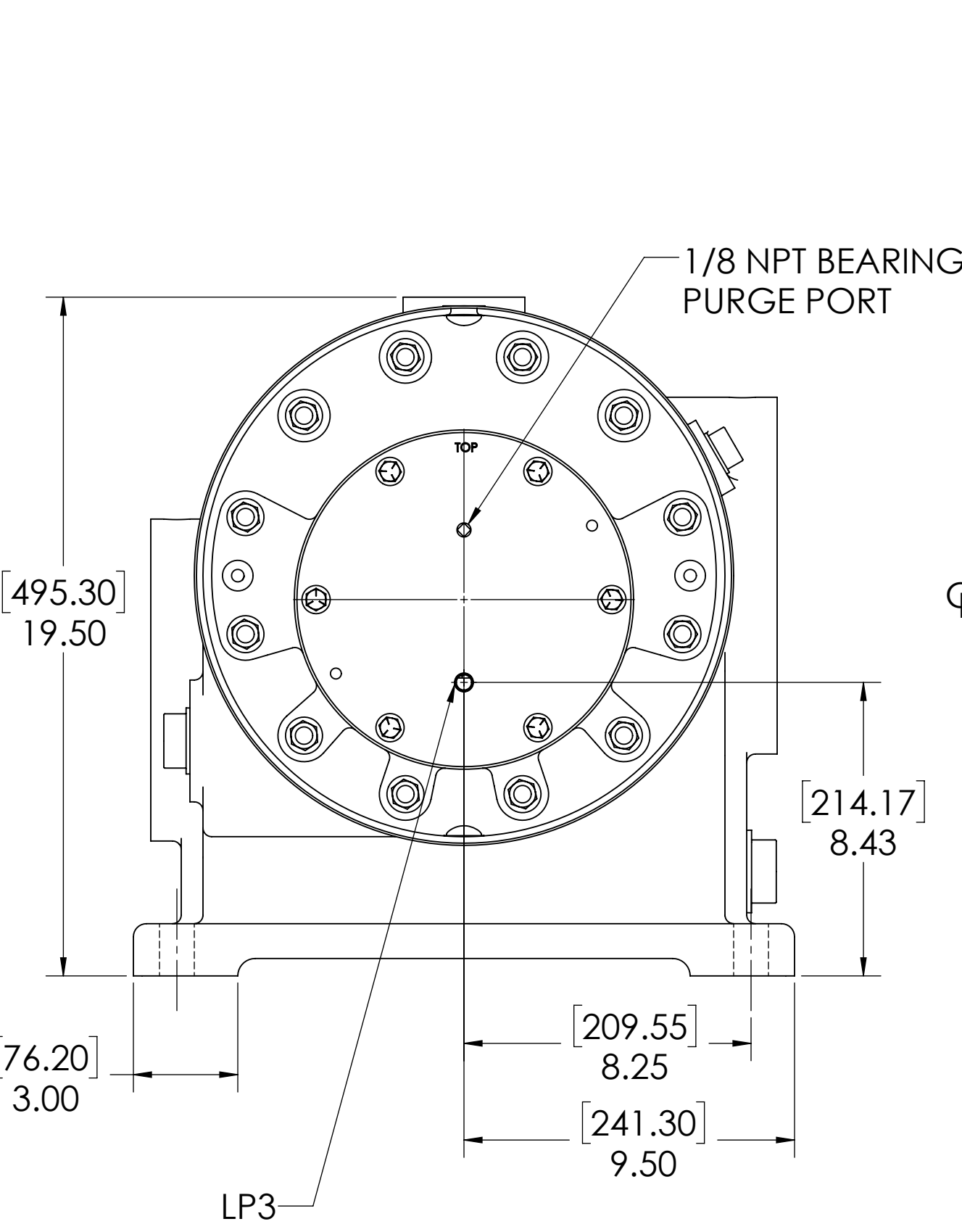
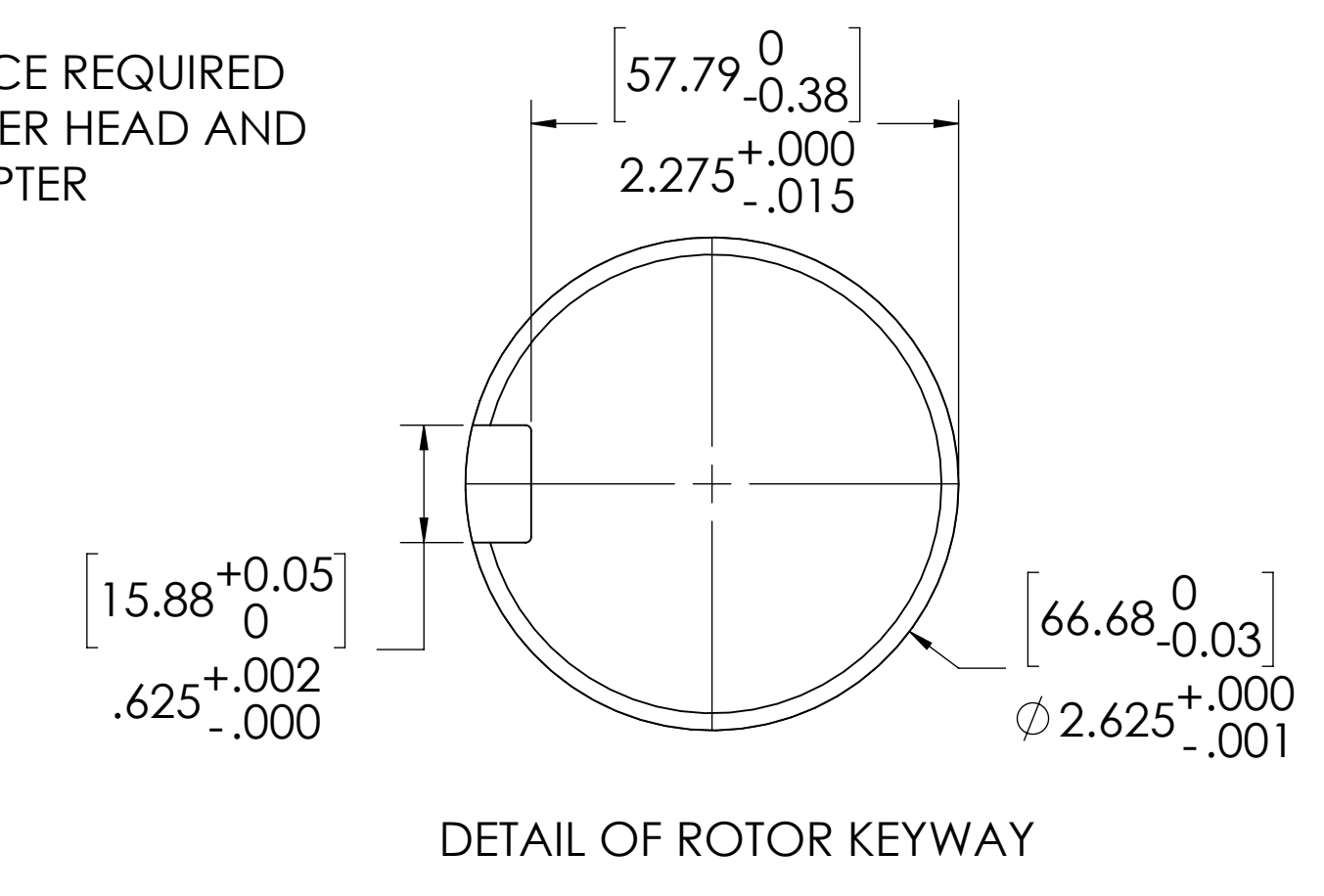
ϕ 1.25 [31.75] ∇ .01 [0.34] FLAT CREATED TO MOUNT ACCELEROMETER.
FLAT IS CENTERED ON LIFTING HOLE.

1/2-13 UNC ∇ .75 [19.05]
THIS IS A LIFTING HOLE FOR CYLINDER HEAD (MAINTENANCE) ONLY.
DO NOT USE THIS HOLE FOR LIFTING CYLINDER!

ϕ 1.25 [31.75] ∇ .01 [0.34] FLAT CREATED TO MOUNT ACCELEROMETER.
FLAT IS CENTERED ON LIFTING HOLE.

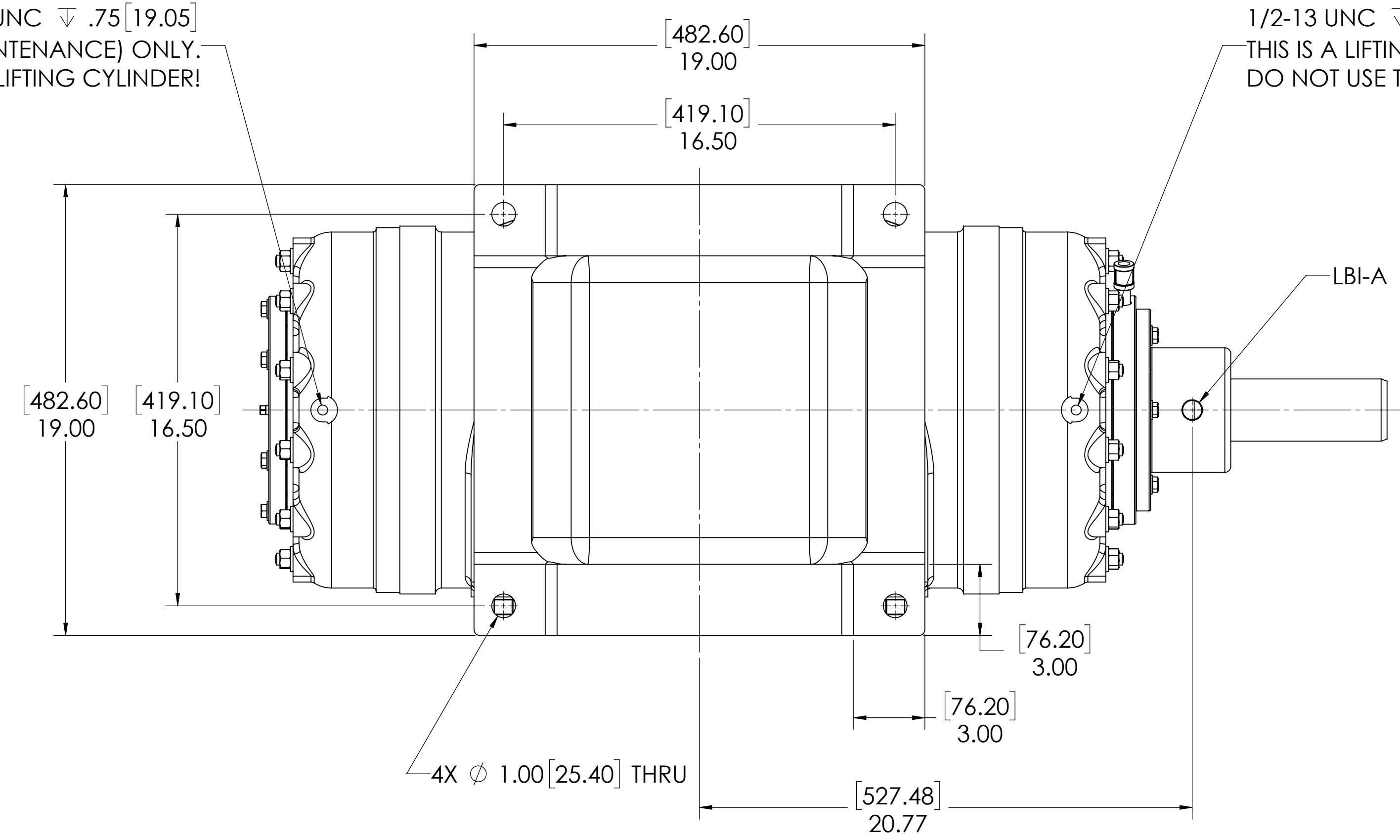


[162.05] 6.38 CLEARANCE REQUIRED TO REMOVE CYLINDER HEAD AND SEAL ADAPTER



1/2-13 UNC ∇ .75 [19.05]
THIS IS A LIFTING HOLE FOR CYLINDER HEAD (MAINTENANCE) ONLY.
DO NOT USE THIS HOLE FOR LIFTING CYLINDER!

1/2-13 UNC ∇ .75 [19.05]
THIS IS A LIFTING HOLE FOR CYLINDER HEAD (MAINTENANCE) ONLY.
DO NOT USE THIS HOLE FOR LIFTING CYLINDER!



NOZZLE CONNECTIONS		BOLT HOLE SIZE
N1	5" GAS SUCTION FLANGE (ANSI CLASS 150 FLAT FACE)	8 x 3/4-10 ∇ 1.13
N2	4" GAS DISCHARGE FLANGE (ANSI CLASS 150 FLAT FACE)	8 x 5/8-11 ∇ 1.13
W1A	2 NPT(F) WATER INLET (SEE NOTE 2)	N/A
W1B	1-1/2 NPT(F) WATER INLET (SEE NOTE 2)	N/A
W2	1-1/2 NPT(F) WATER OUTLET	N/A
D1	1/2 NPT DRAIN HOLE	N/A
D2	1/2 NPT DRAIN HOLE	N/A

OIL CONNECTION POINTS SUMMARY		
(REFER TO MANUAL FOR FURTHER INFORMATION)		
DESCRIPTION	THREAD SIZE	QTY
LUBE QUILL (LQx)	1/4 NPT (F)	1
LUBE POINTS (LPx)	1/4 NPT (F)	6
SEAL SUPPLY (LBI-A)	1/2 NPT (F)	1
SEAL RETURN (LBO-A)	1/2 NPT (F)	1

- NOTES:
- CENTER OF MASS DIMENSIONS ARE APPROXIMATE
 - EITHER WATER INLET MAY BE USED, DEPENDING UPON SYSTEM NEEDS
 - WEIGHT IS APPROXIMATE
 - THIS DRAWING IS DUAL DIMENSION. DIMENSIONS WITHOUT BRACKETS ARE IN INCHES, DIMENSIONS IN [BRACKETS] ARE IN MILLIMETERS.

UNLESS OTHERWISE SPECIFIED, DIMENSIONS ARE IN INCHES UNLESS INDICATED.

ANGULAR: MACH 2.000
SURFACE FINISH: 125
TAP PLACE CIRCULAR 1.000
HOLE PLACE CIRCULAR 1.000

PROPERTY AND COPYRIGHT: Ro-Flo Compressors, LLC

THE INFORMATION CONTAINED IN THIS DRAWING IS THE SOLE PROPERTY OF Ro-Flo Compressors, LLC. ANY REPRODUCTION IN PART OR AS A WHOLE WITHOUT THE WRITTEN PERMISSION OF Ro-Flo Compressors, LLC IS PROHIBITED.

DATE: 4/19/2018
DRAWN: TSS
CHECKED: TSS
ENG APPR: TSS

PROJECT NAME AND CONVENTION: GENERAL ARRANGEMENT, 10G, DBS, CW

SIZE: 16-123-633-405
REV: 12

SCALE: 1:4
WEIGHT: 1350 LBS

1 OF 1