

1/2-13 UNC - 2B  $\nabla$  .62 [15.75]  
THIS IS A LIFTING HOLE FOR CYLINDER HEAD (MAINTENANCE) ONLY.  
DO NOT USE THIS HOLE FOR LIFTING COMPRESSOR!

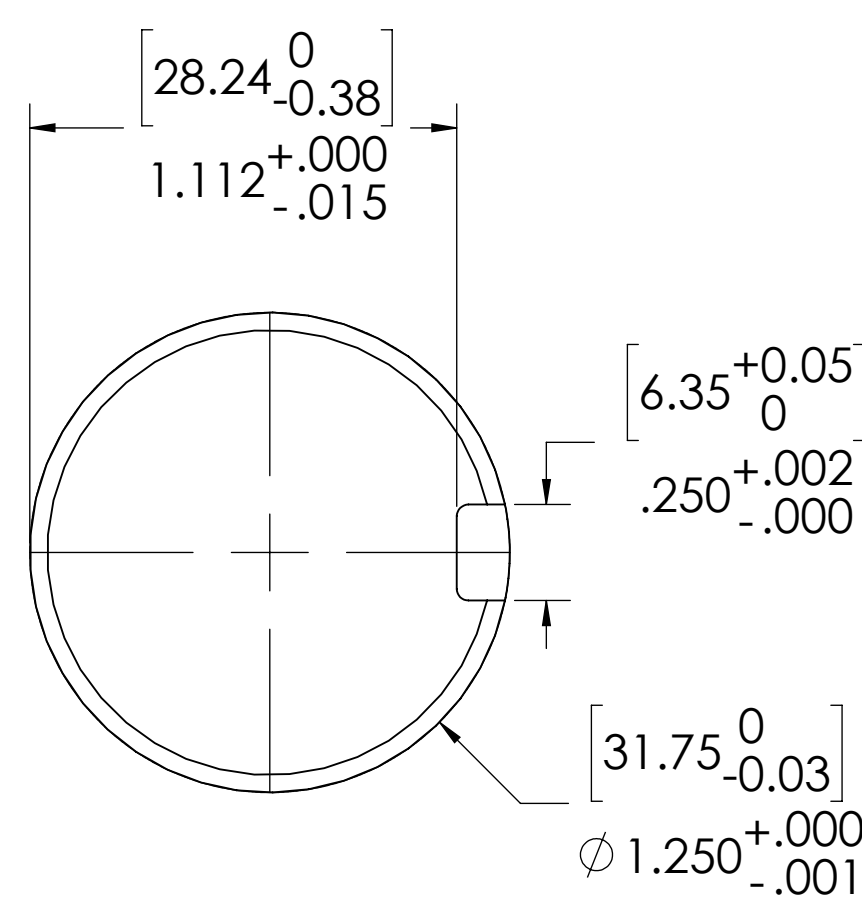
$\square$   $\phi$  1.25 [31.75]  $\nabla$  .01  
FLAT CREATED TO MOUNT ACCELEROMETER.  
FLAT IS CENTERED ON LIFTING HOLE.

1/2-13 UNC - 2B  $\nabla$  .62 [15.75]  
THIS IS A LIFTING HOLE FOR CYLINDER HEAD (MAINTENANCE) ONLY.  
DO NOT USE THIS HOLE FOR LIFTING COMPRESSOR!

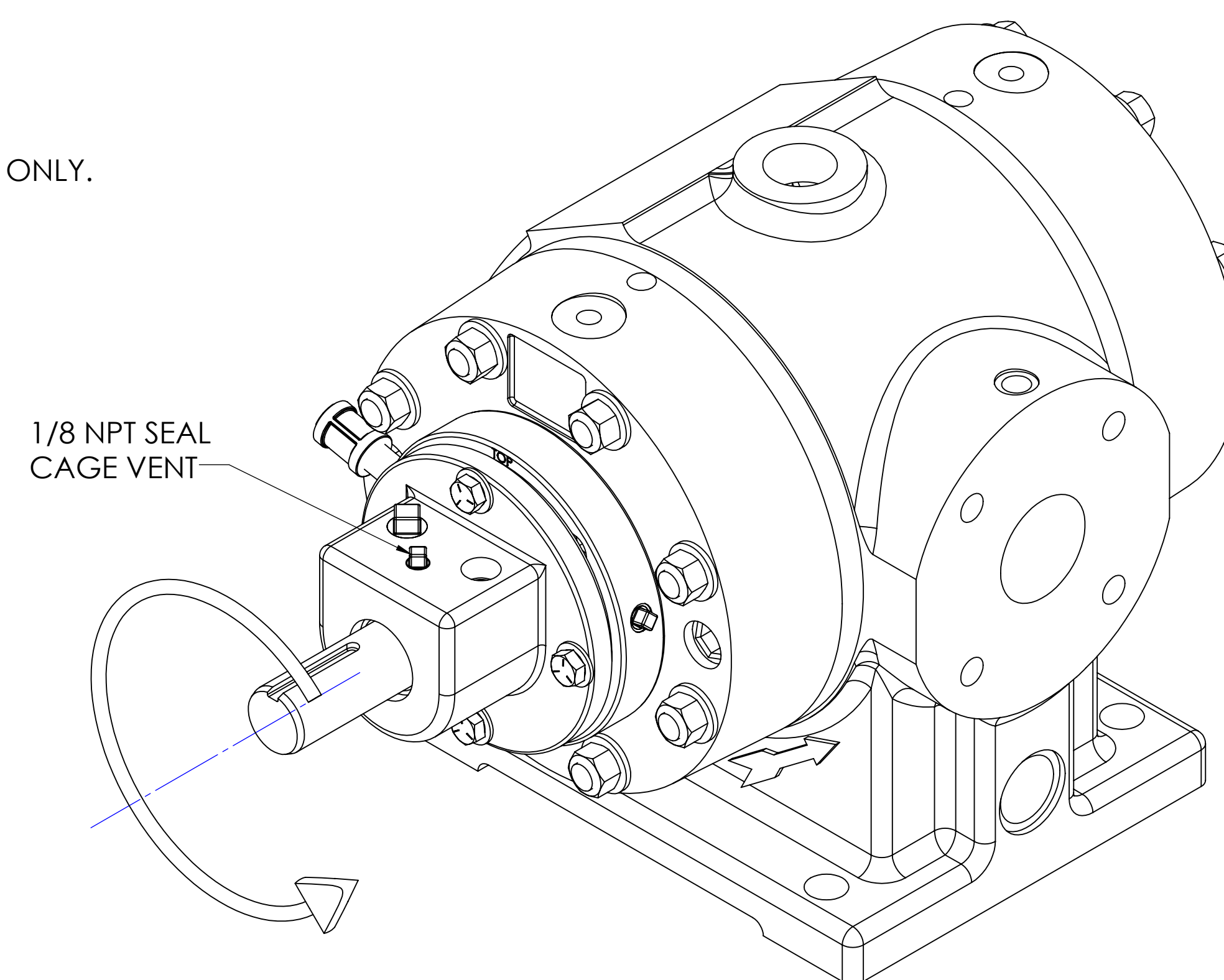
$\square$   $\phi$  1.25 [31.75]  $\nabla$  .01  
FLAT CREATED TO MOUNT ACCELEROMETER.  
FLAT IS CENTERED ON LIFTING HOLE.

[119.13]  
4.69 CLEARANCE REQUIRED  
TO REMOVE CYLINDER HEAD,  
SEAL ADAPTER AND ROTOR BLADES

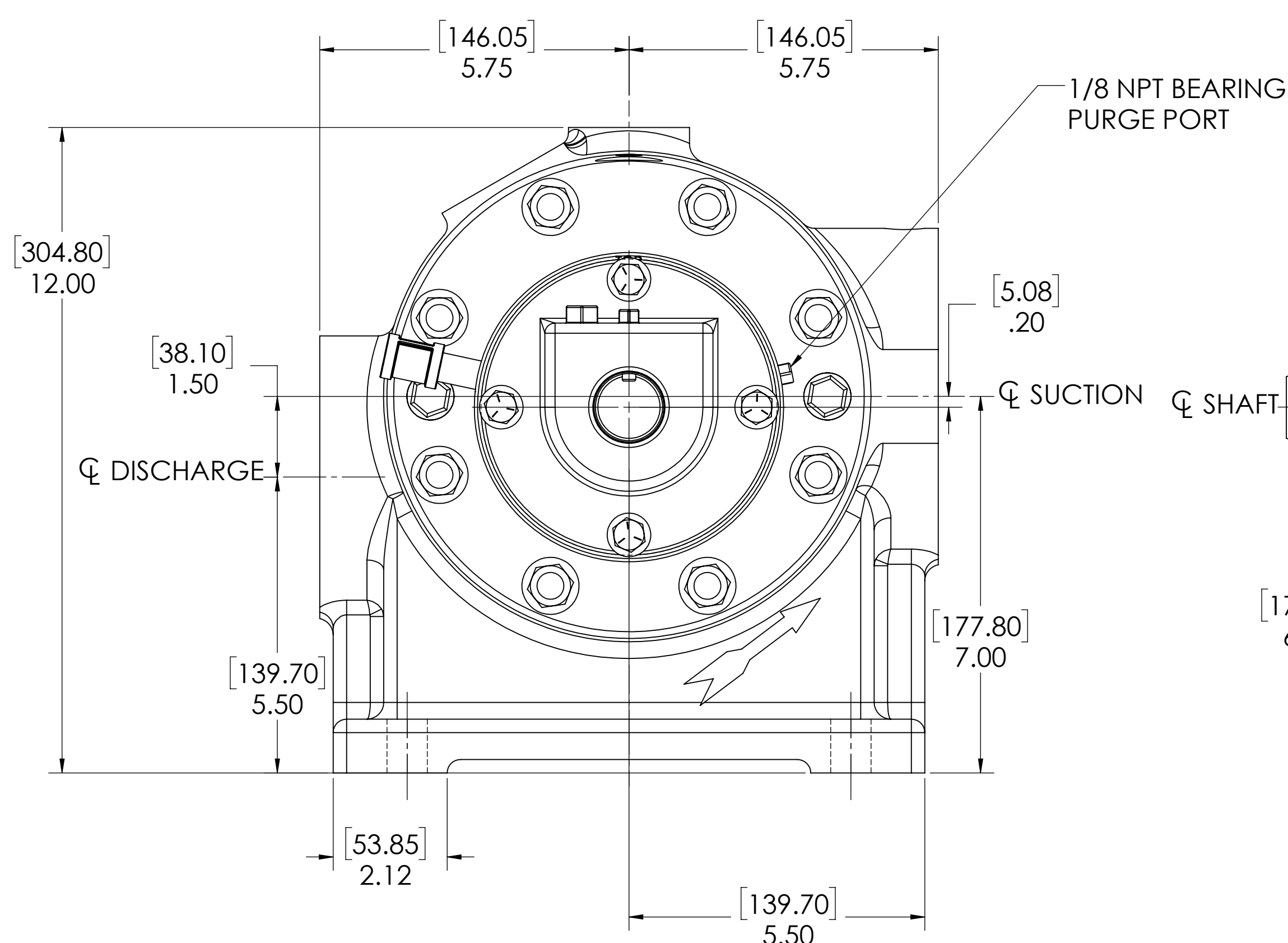
[101.60]  
4.00 CLEARANCE REQUIRED  
TO REMOVE CYLINDER HEAD,  
END COVER AND ROTOR BLADES



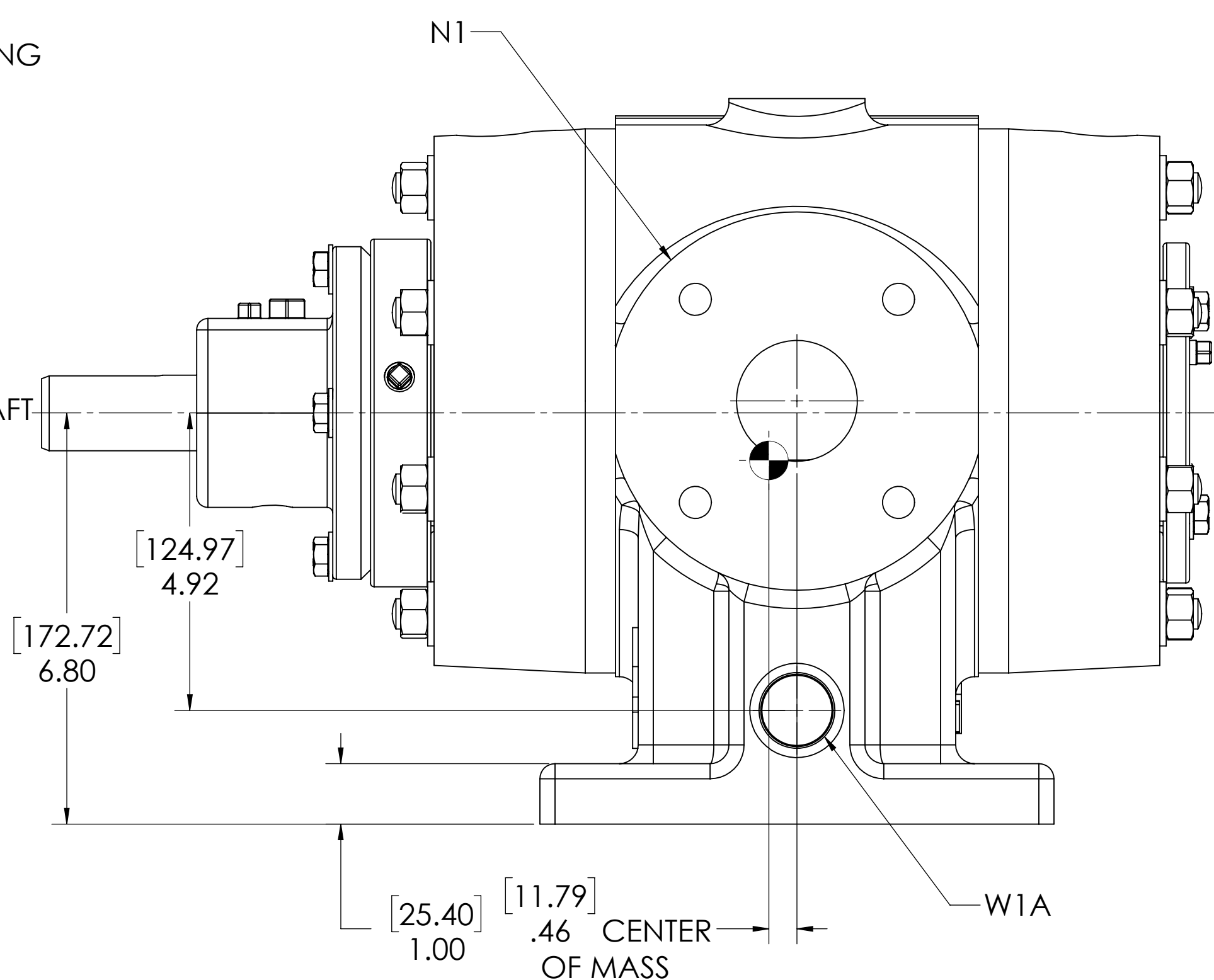
DETAIL OF ROTOR AND KEYWAY



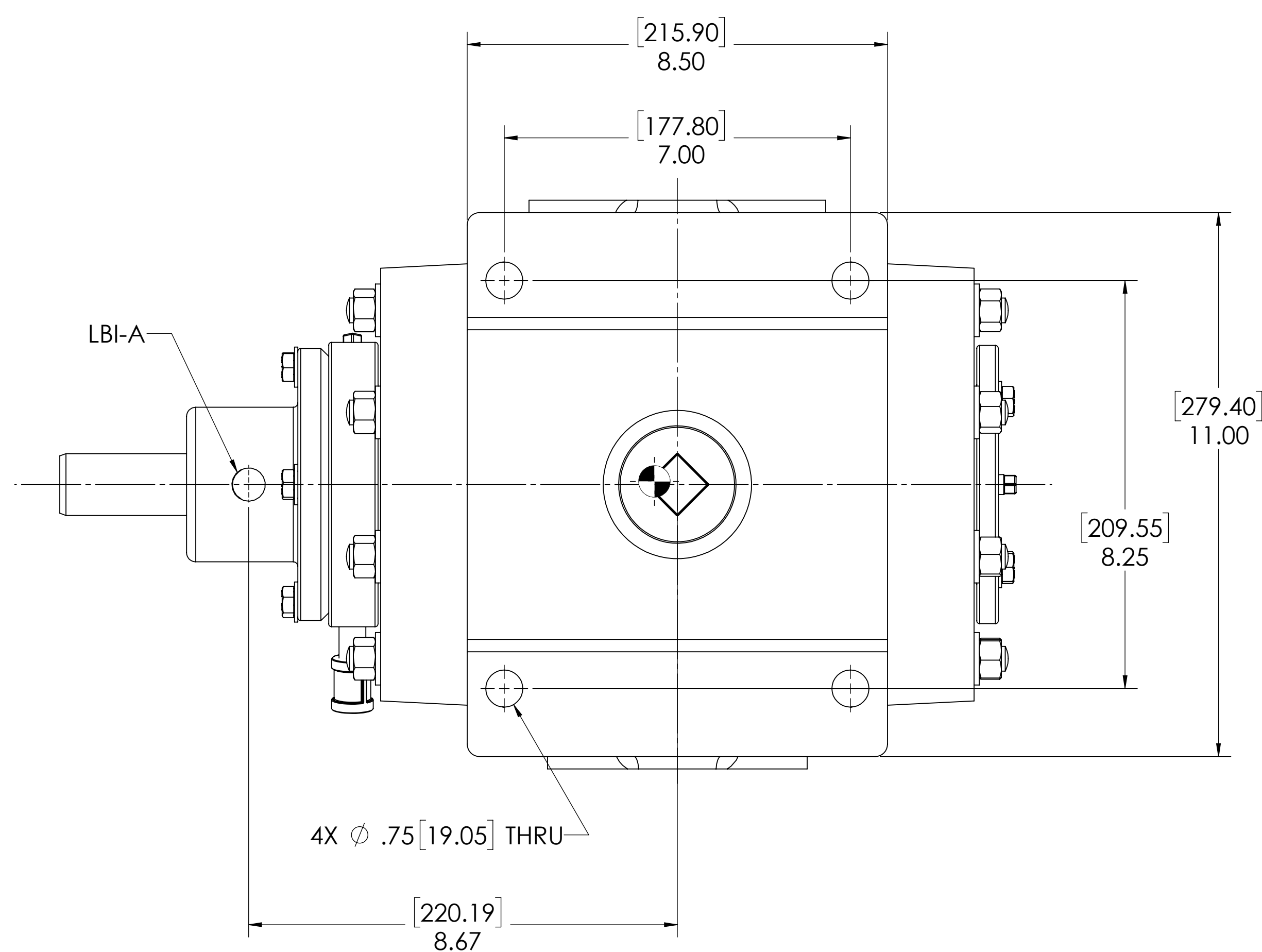
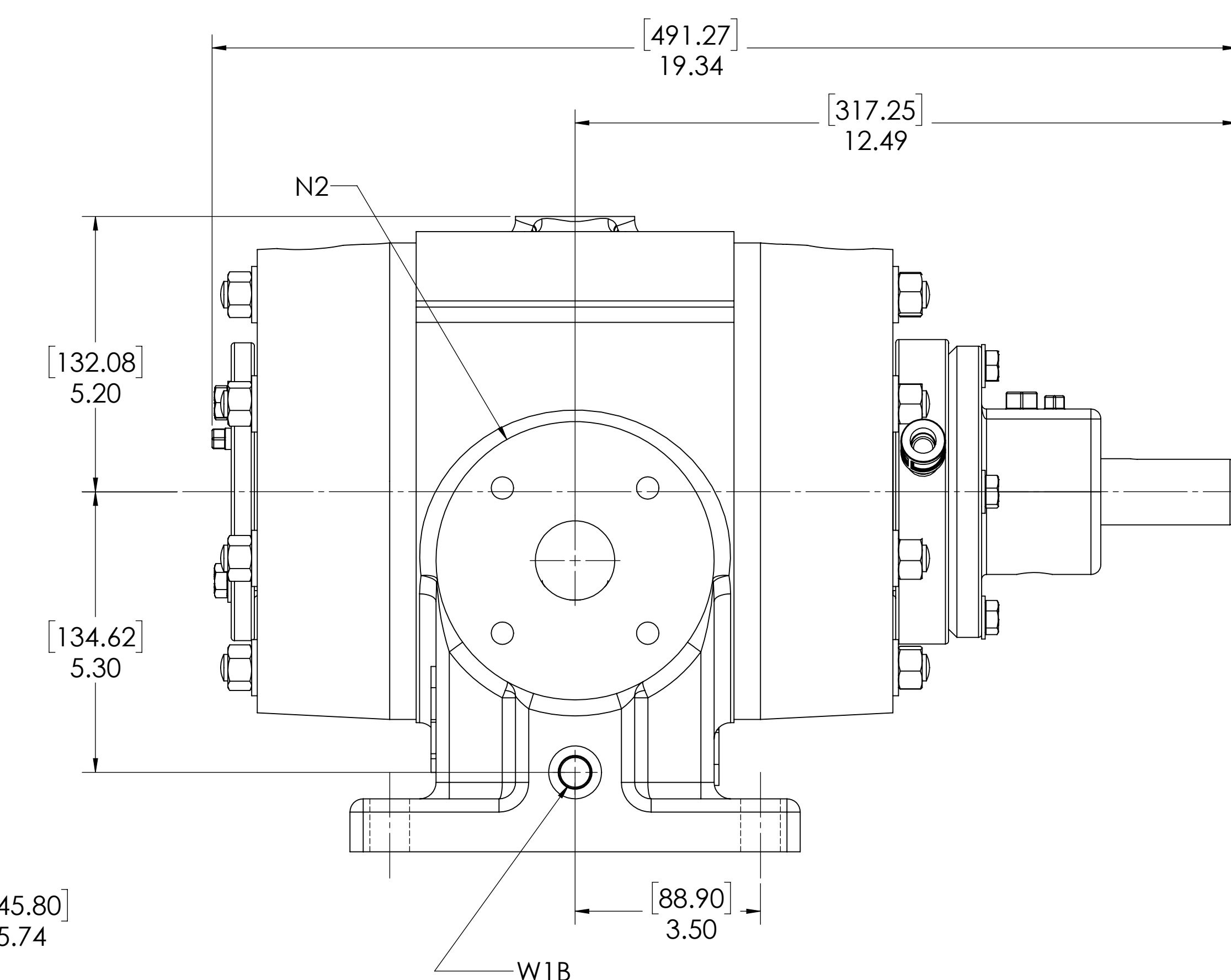
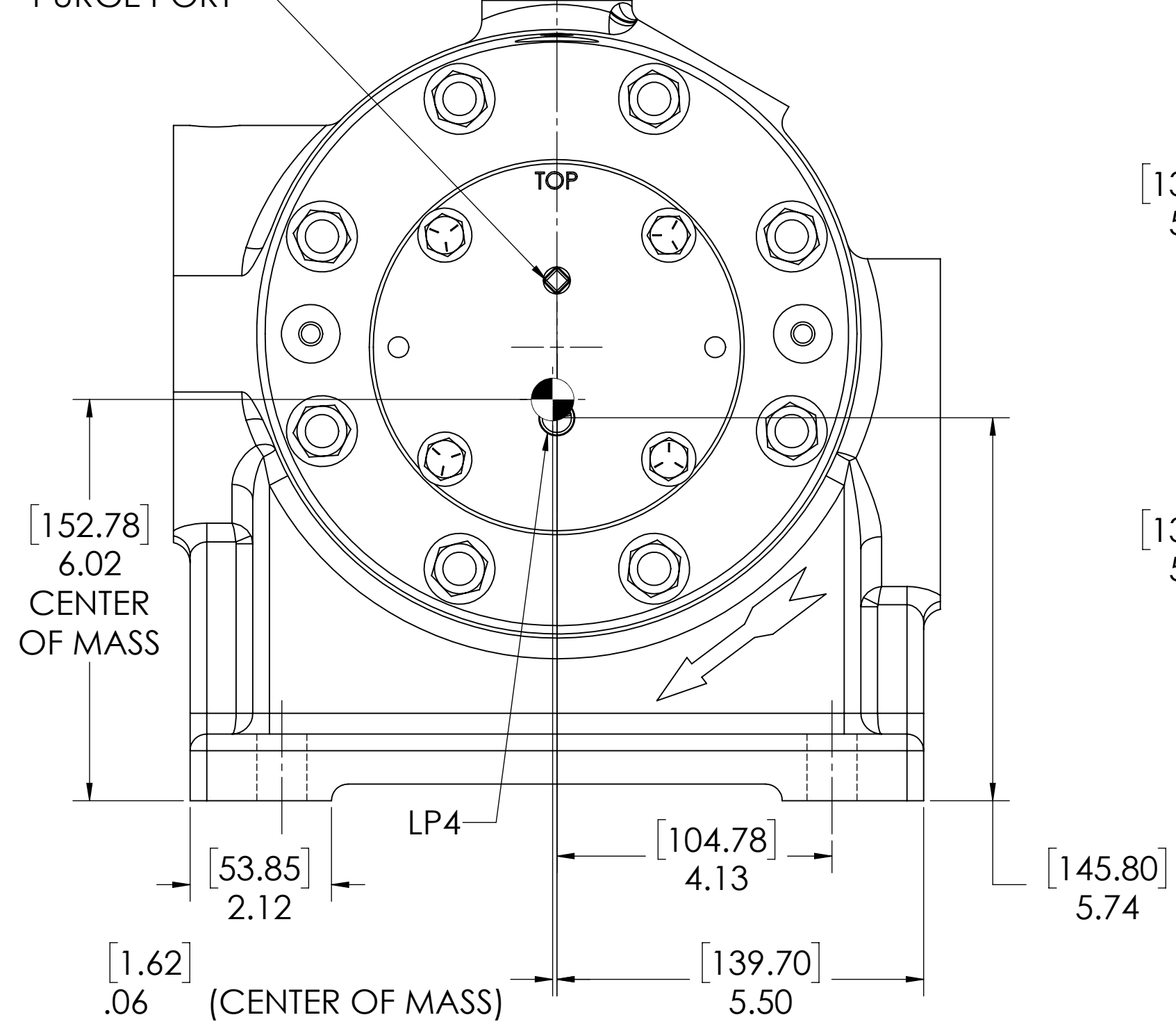
1/8 NPT SEAL CAGE VENT



1/8 NPT BEARING PURGE PORT



1/8 NPT BEARING PURGE PORT



	NOZZLE CONNECTIONS	BOLT HOLE SIZE
N1	2" GAS SUCTION FLANGE (ANSI CLASS 150 FLAT FACE)	4 x 5/8-11 $\nabla$ 1.00
N2	1.50" GAS DISCHARGE FLANGE (ANSI CLASS 150 FLAT FACE)	4 x 1/2-13 $\nabla$ .88
W1A	1 NPT(F) WATER INLET (SEE NOTE 2)	N/A
W1B	3/8 NPT(F) WATER INLET (SEE NOTE 2)	N/A
W2	1 NPT(F) WATER OUTLET	N/A

OIL CONNECTION POINTS SUMMARY		
(REFER TO MANUAL FOR FURTHER INFORMATION)		
DESCRIPTION	THREAD SIZE	QTY
LUBE QUILL (LQX)	1/4 NPT (F)	1
LUBE POINTS (LPx)	1/4 NPT (F)	4
SEAL SUPPLY (LBI-A)	3/8 NPT (F)	1
SEAL RETURN (LBO-A)	3/8 NPT (F)	1

NOTES:

1. CENTER OF MASS DIMENSIONS ARE APPROXIMATE
2. EITHER WATER INLET MAY BE USED, DEPENDING UPON SYSTEM NEEDS
3. WEIGHT IS APPROXIMATE
4. DRAWING IS DUAL DIMENSION. DIMENSIONS WITHOUT BRACKETS ARE IN INCHES, DIMENSIONS WITH [BRACKETS] ARE IN MILLIMETERS.
5. USE SEAL OIL RETURN PORT (LBO-A) AS SHOWN IN TOP VIEW.

UNLESS OTHERWISE SPECIFIED: DIMENSIONS ARE IN INCHES TOLERANCES: DRAWN: TRF 3/27/2020 CHECKED: TRF 7/27/2020 APPROVAL: MACH 3 1000 OVER PLATE DIMENSION 1.000 TAP PLACE DIMENSION 1.000 THIRD PLACE DIMENSION 1.000

PROPERTY AND CONFIDENTIAL: RO-FLO COMPRESSORS, LLC. THE INFORMATION CONTAINED IN THIS DRAWING IS THE SOLE PROPERTY OF RO-FLO COMPRESSORS, LLC. NO PART OF THIS DRAWING IS TO BE REPRODUCED IN PART OR AS A WHOLE WITHOUT THE WRITTEN PERMISSION OF RO-FLO COMPRESSORS, LLC. IS PROHIBITED.

GENERAL ARRANGEMENT, 2CC,DBS,CCW  
E 16-123-633-419 06  
SCALE: 1:2 220 LBS 1 OF 1