

119.13  
4.69 CLEARANCE REQUIRED TO REMOVE CYLINDER HEAD AND SEAL ADAPTER

1/2-13 UNC - 2B ∇ .62 [15.75]  
THIS IS A LIFTING HOLE FOR CYLINDER HEAD (MAINTENANCE) ONLY. DO NOT USE THIS HOLE FOR LIFTING COMPRESSOR!

∇ ∅ 1.25 [31.75] ∇ .01  
FLAT CREATED FOR MOUNTING ACCELEROMETER, CENTERED ON LIFTING HOLE.

264.97  
10.43

∇ ∅ 1.25 [31.75] ∇ .01  
FLAT CREATED FOR MOUNTING ACCELEROMETER, CENTERED ON LIFTING HOLE.

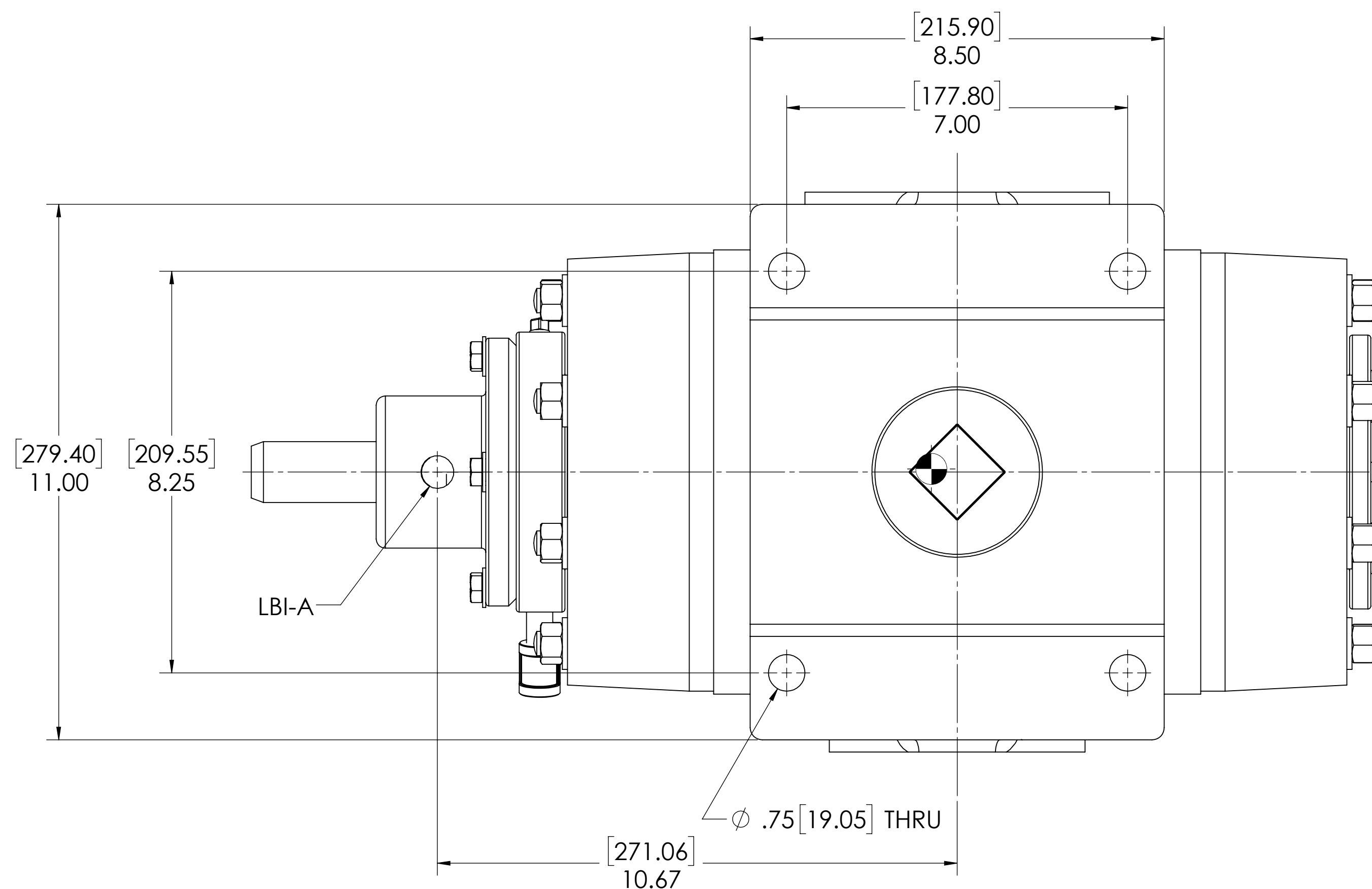
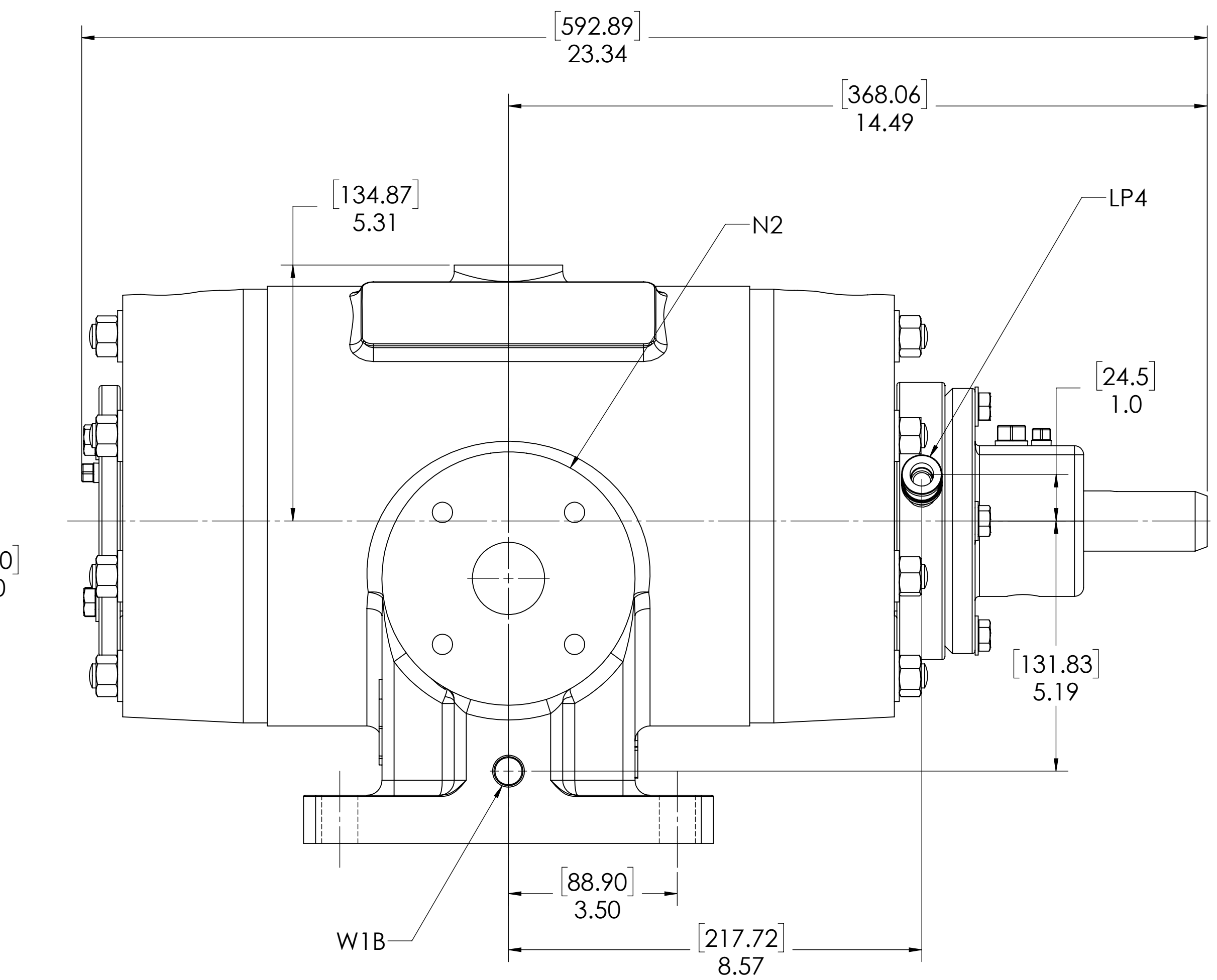
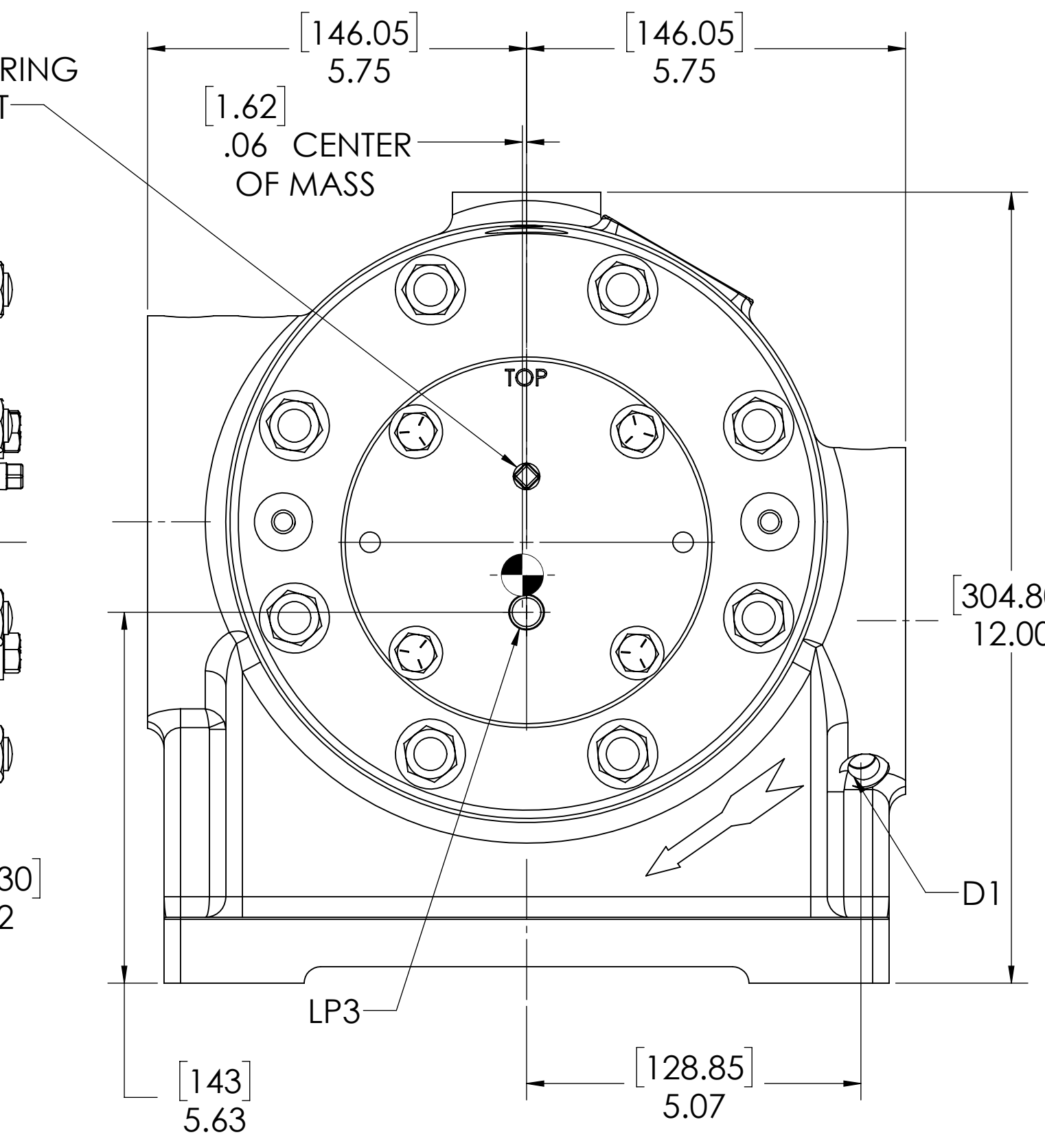
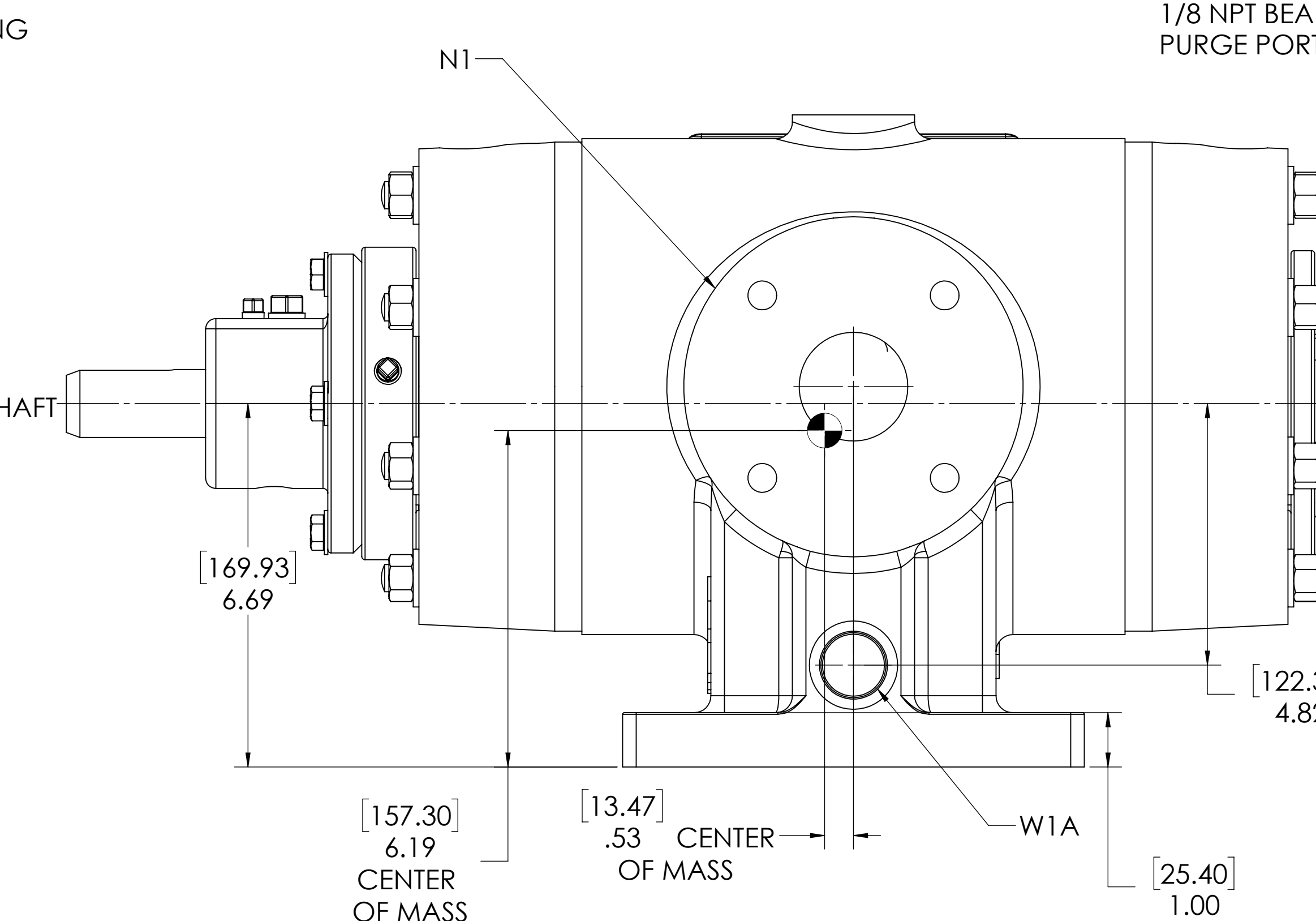
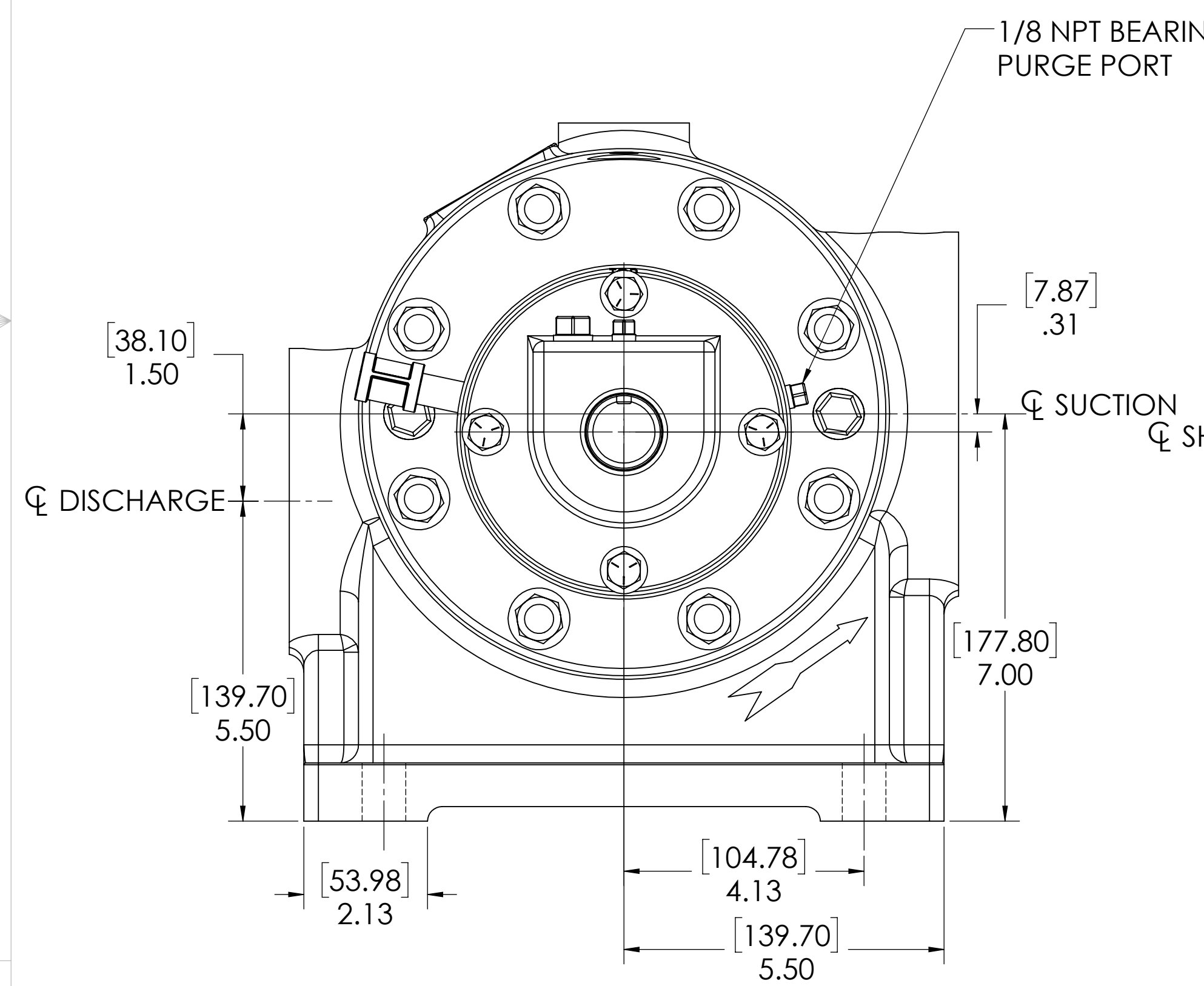
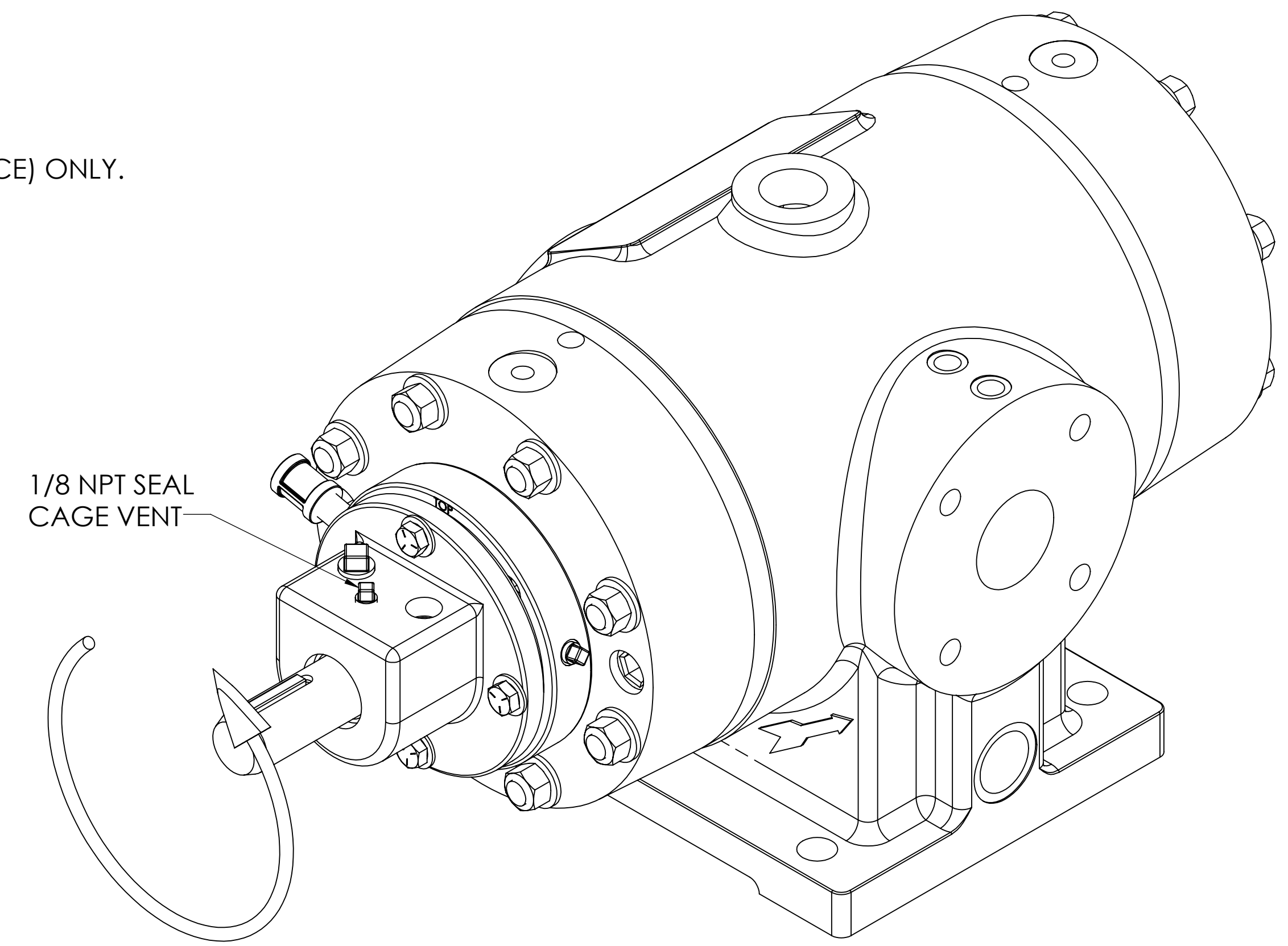
1/2-13 UNC - 2B ∇ .62 [15.75]  
THIS IS A LIFTING HOLE FOR CYLINDER HEAD (MAINTENANCE) ONLY. DO NOT USE THIS HOLE FOR LIFTING COMPRESSOR!

1/2-13 UNC - 2B ∇ .62 [15.75]  
THIS IS A LIFTING HOLE FOR CYLINDER HEAD (MAINTENANCE) ONLY. DO NOT USE THIS HOLE FOR LIFTING COMPRESSOR!

∇ ∅ 1.25 [31.75] ∇ .01  
FLAT CREATED FOR MOUNTING ACCELEROMETER, CENTERED ON LIFTING HOLE.

101.60  
4.00 CLEARANCE REQUIRED TO REMOVE CYLINDER HEAD AND END COVER

165.10  
6.50 CLEARANCE REQUIRED TO REMOVE ROTOR BLADES



	NOZZLE CONNECTIONS	BOLT HOLE SIZE
N1	2" GAS SUCTION FLANGE (ANSI CLASS 150 FLAT FACE)	4 x 5/8-11 ∇ 1.00
N2	1.50" GAS DISCHARGE FLANGE (ANSI CLASS 150 FLAT FACE)	4 x 1/2-13 ∇ .88
W1A	1 NPT(F) WATER INLET (SEE NOTE 2)	N/A
W1B	3/8 NPT(F) WATER INLET (SEE NOTE 2)	N/A
W2	1 NPT(F) WATER OUTLET	N/A
D1	1/4 NPT DRAIN HOLE	N/A

OIL CONNECTION POINTS SUMMARY (REFER TO MANUAL FOR FURTHER INFORMATION)		
DESCRIPTION	THREAD SIZE	QTY
LUBE QUILL (LQx)	1/4 NPT (F)	1
LUBE POINTS (LPx)	1/4 NPT (F)	4
SEAL SUPPLY (LBI-A)	3/8 NPT (F)	1
SEAL RETURN (LBO-A)	3/8 NPT (F)	1

NOTES:

1. CENTER OF MASS DIMENSIONS ARE APPROXIMATE
2. EITHER WATER INLET MAY BE USED, DEPENDING UPON SYSTEM NEEDS
3. WEIGHT IS APPROXIMATE
4. DRAWING IS DUAL DIMENSION. DIMENSIONS WITHOUT BRACKETS ARE IN INCHES, DIMENSIONS IN [BRACKETS] ARE IN MILLIMETERS
5. USE SEAL RETURN SHOWN IN TOP VIEW