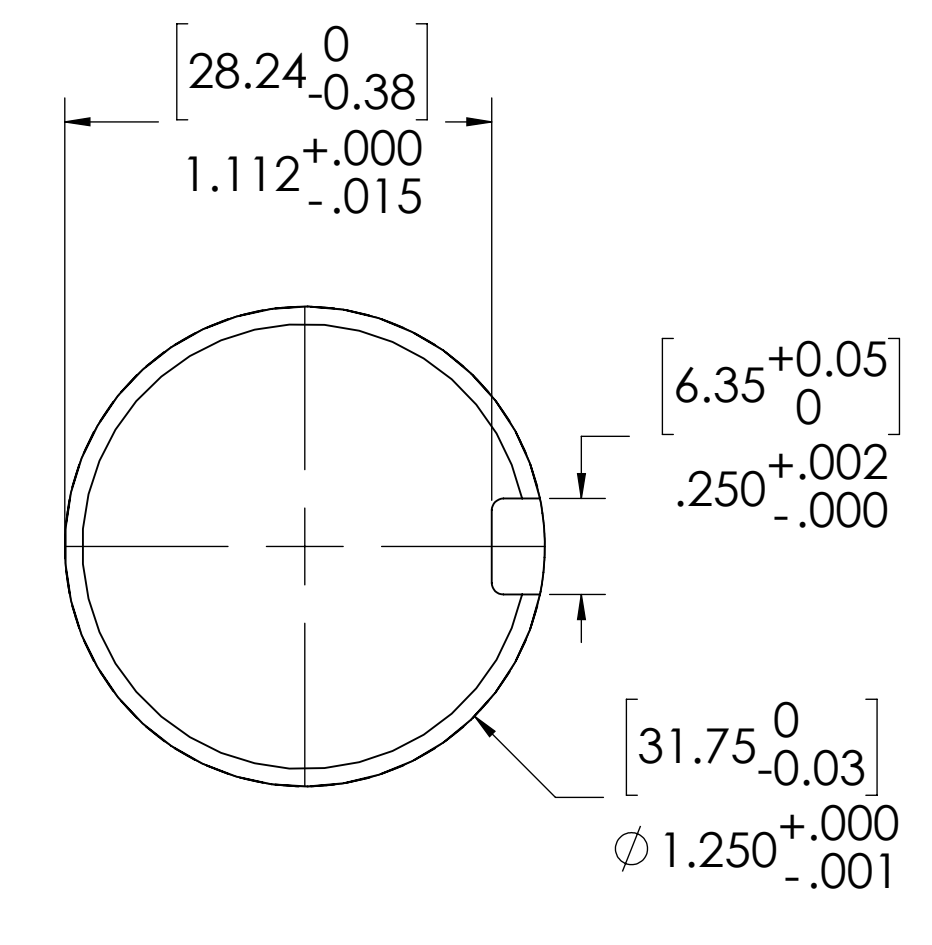


1/2-13 UNC - 2B  $\nabla$  .62 [15.75]  
THIS IS A LIFTING HOLE FOR CYLINDER HEAD (MAINTENANCE) ONLY.  
DO NOT USE THIS HOLE FOR LIFTING COMPRESSOR!

$\nabla$   $\phi$  1.25 [31.75]  $\nabla$  .01  
FLAT CREATED TO MOUNT ACCELEROMETER.  
FLAT IS CENTERED ON LIFTING HOLE.

1/2-13 UNC - 2B  $\nabla$  .62 [15.75]  
THIS IS A LIFTING HOLE FOR CYLINDER HEAD (MAINTENANCE) ONLY.  
DO NOT USE THIS HOLE FOR LIFTING COMPRESSOR!

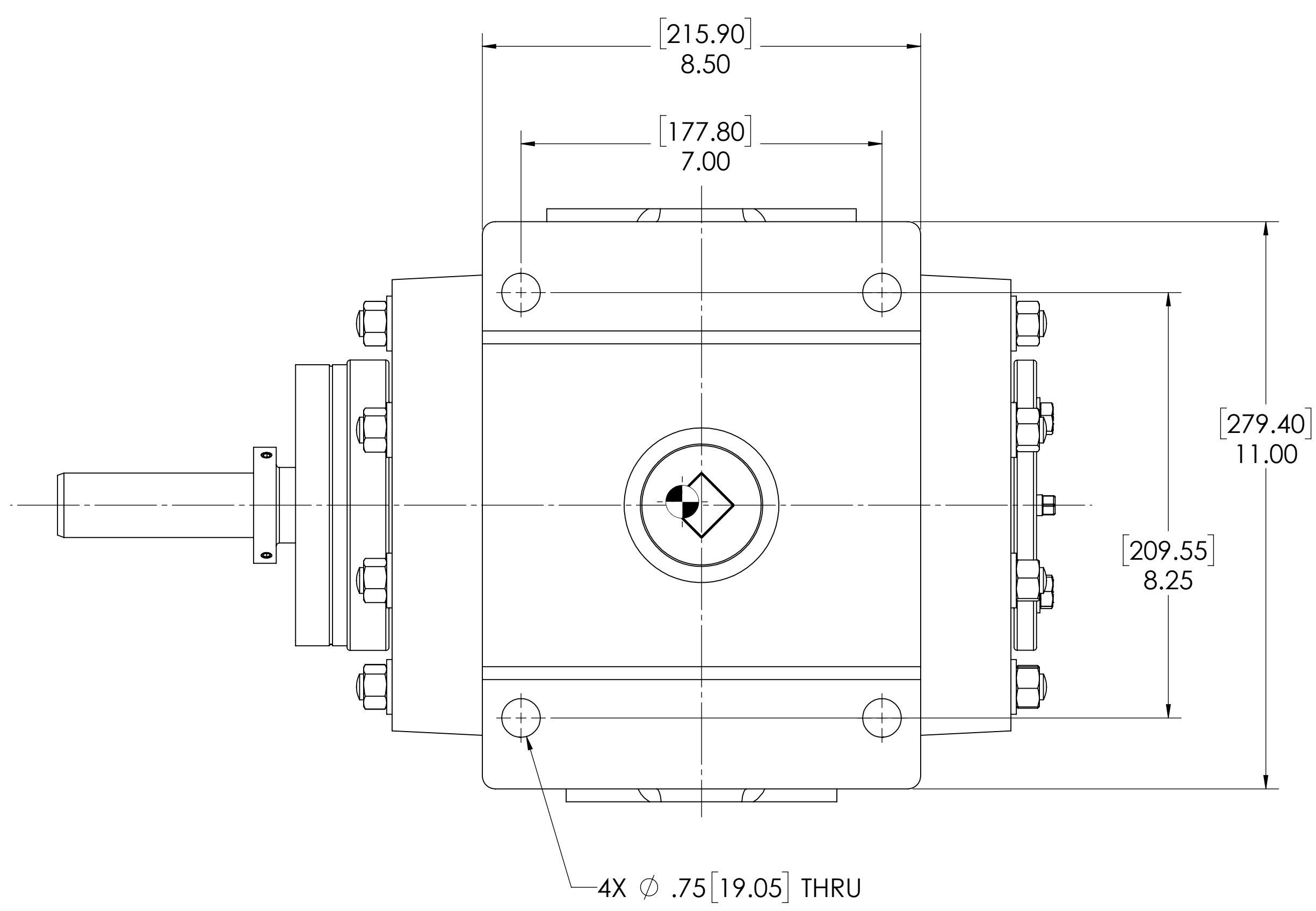
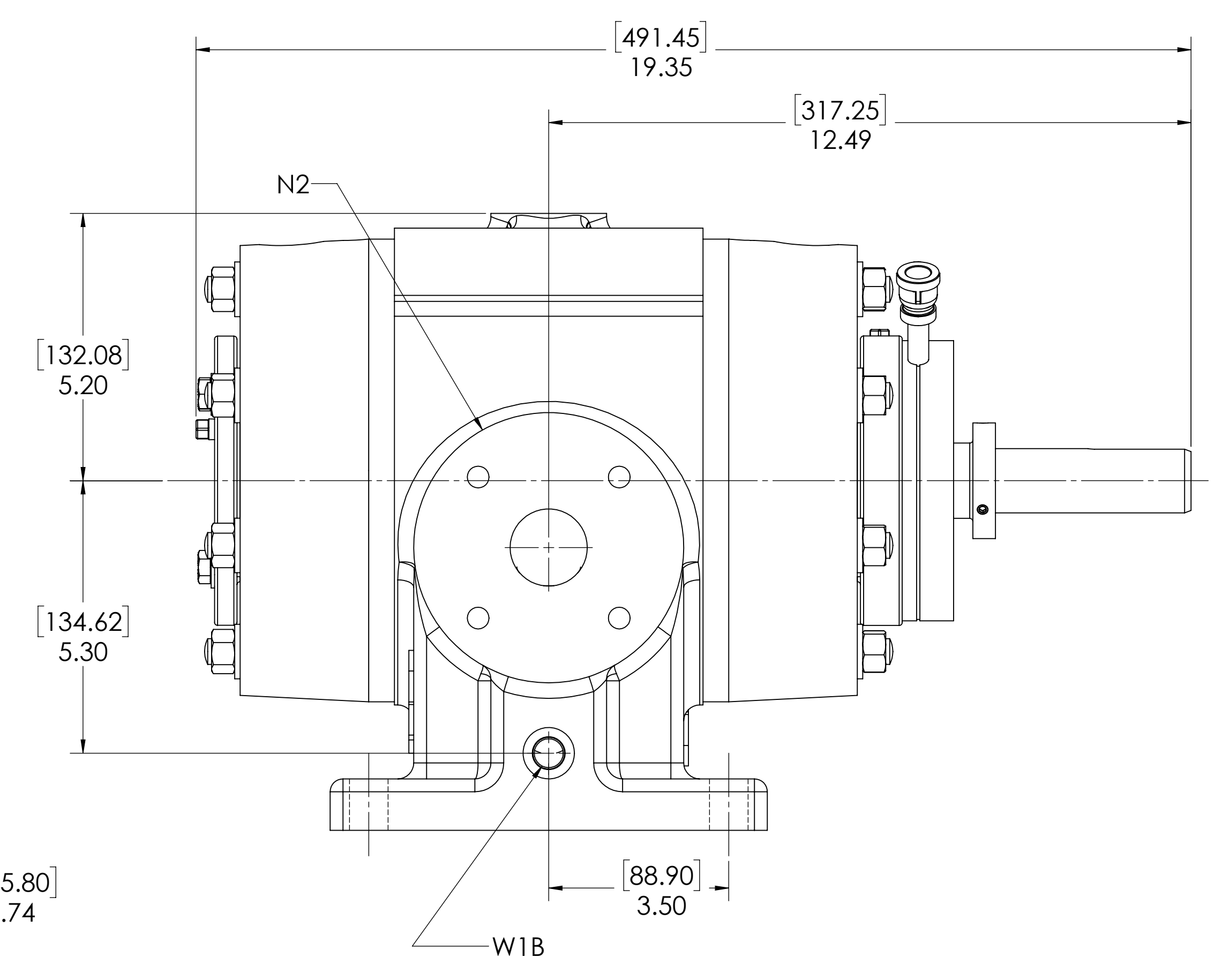
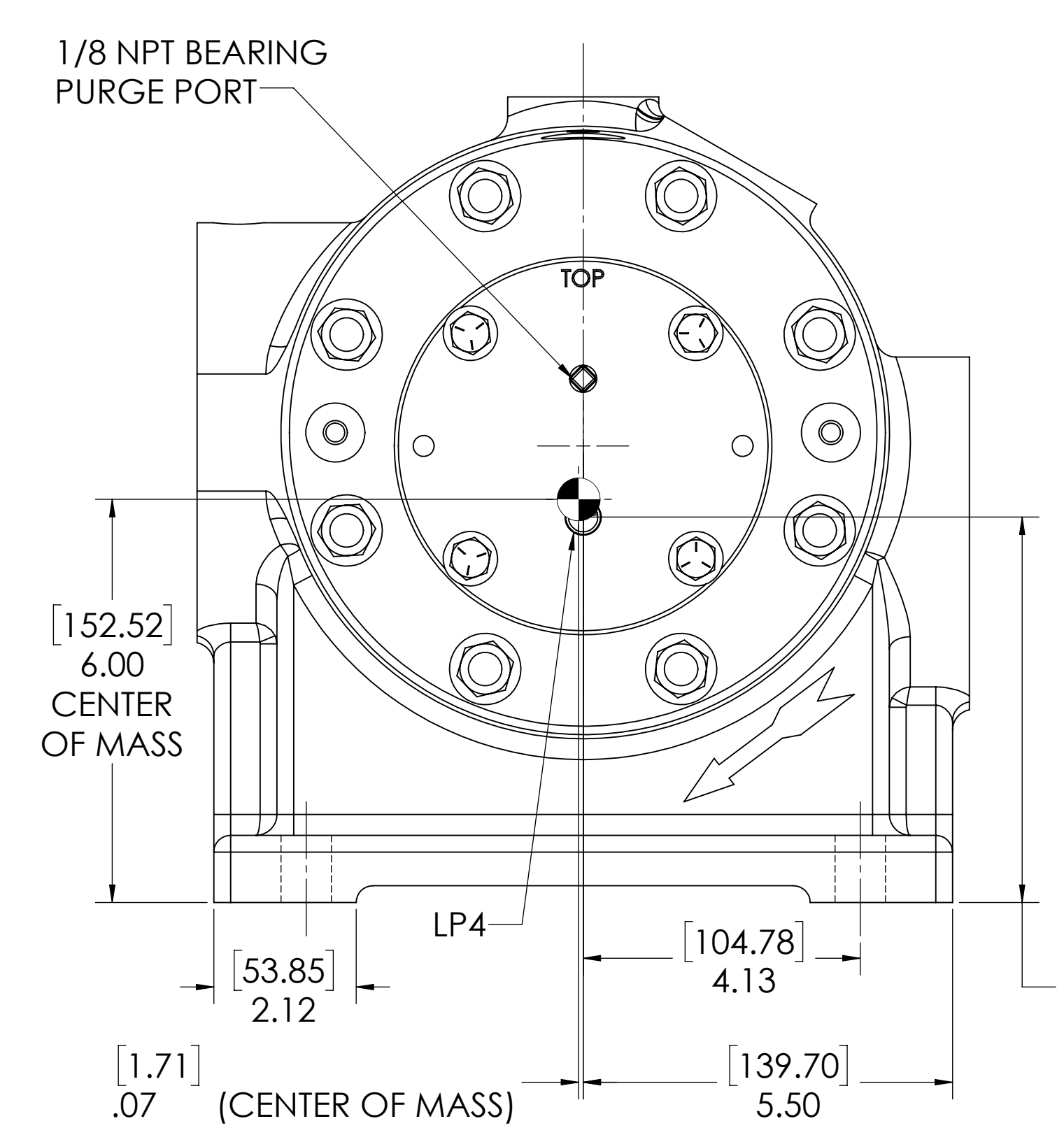
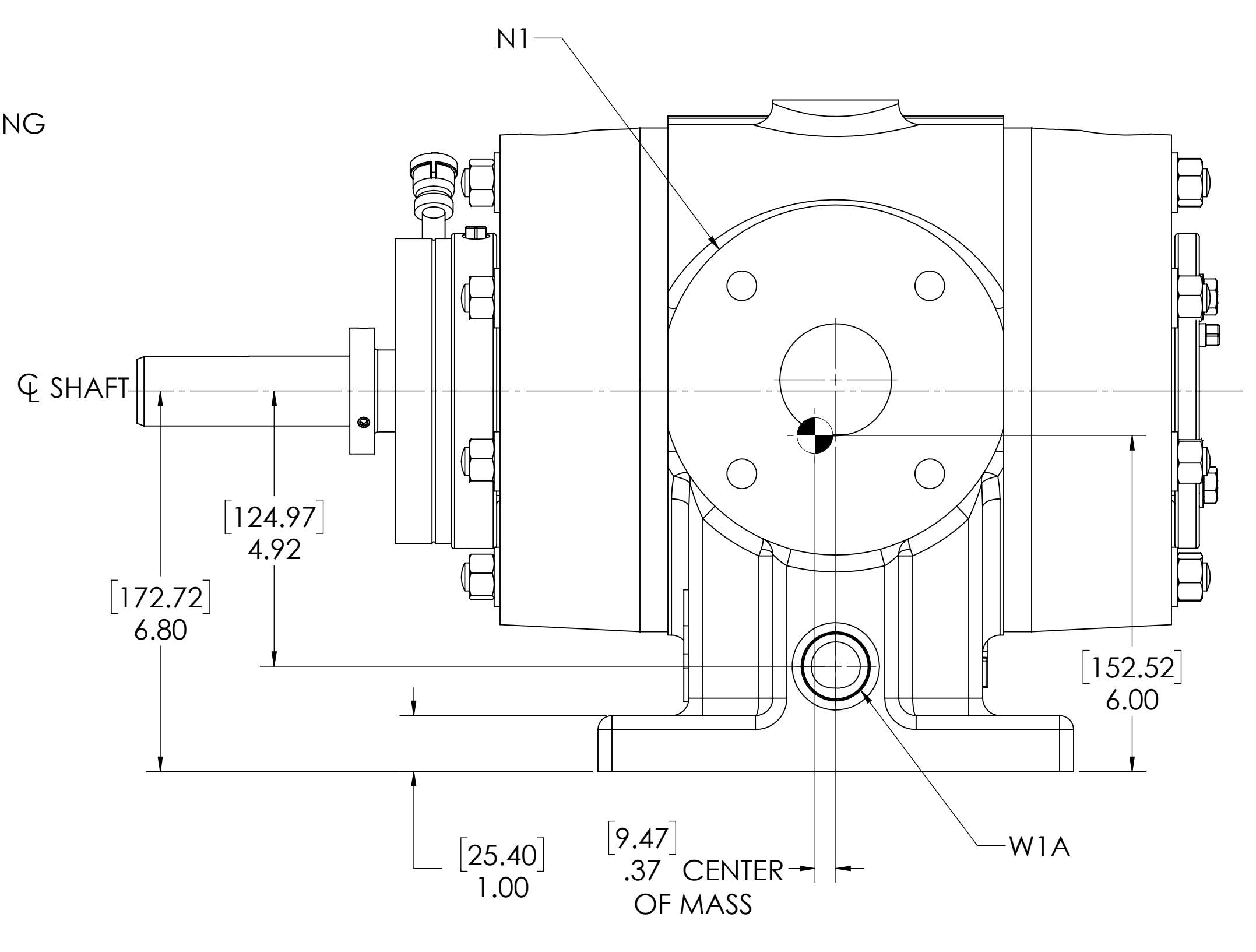
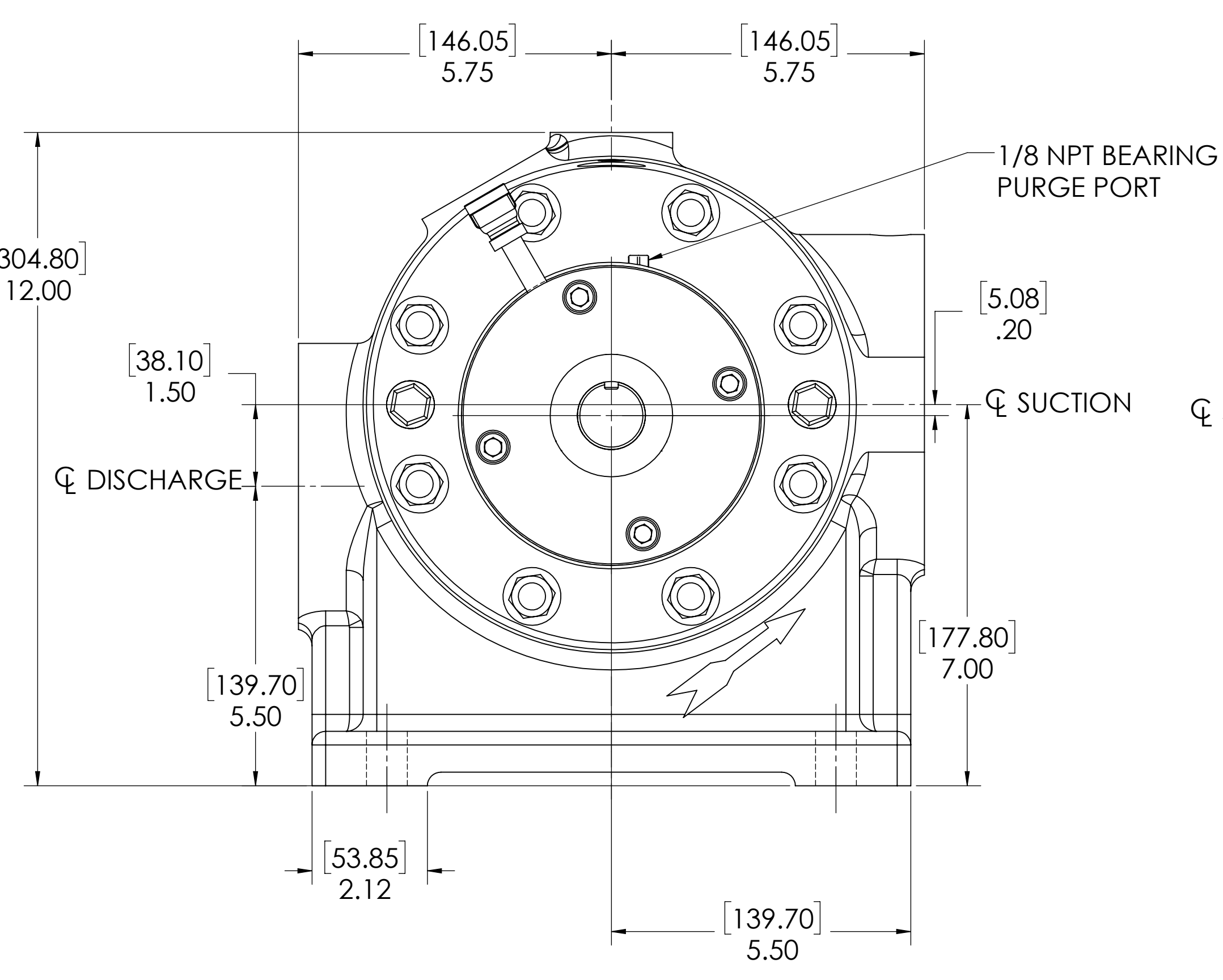
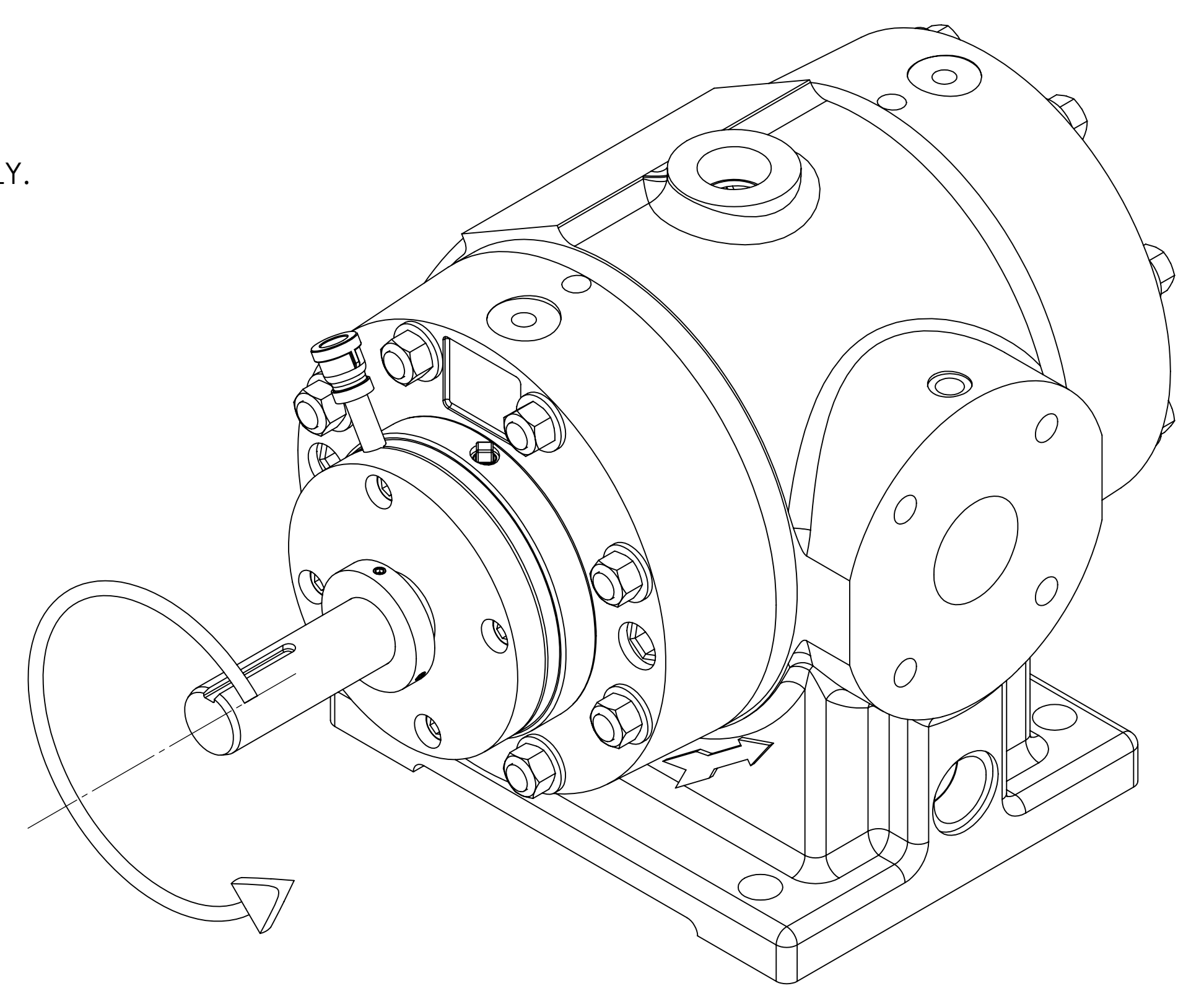
$\nabla$   $\phi$  1.25 [31.75]  $\nabla$  .01  
FLAT CREATED TO MOUNT ACCELEROMETER.  
FLAT IS CENTERED ON LIFTING HOLE.



DETAIL OF ROTOR AND KEYWAY

[104.65]  
4.12 CLEARANCE REQUIRED TO REMOVE CYLINDER HEAD AND SEAL ADAPTER

[101.60]  
4.00 CLEARANCE REQUIRED TO REMOVE CYLINDER HEAD AND END COVER AND TO REMOVE ROTOR BLADES



	NOZZLE CONNECTIONS	BOLT HOLE SIZE
N1	2" GAS SUCTION FLANGE (ANSI CLASS 150 FLAT FACE)	4 x 5/8-11 $\nabla$ 1.00
N2	1.50" GAS DISCHARGE FLANGE (ANSI CLASS 150 FLAT FACE)	4 x 1/2-13 $\nabla$ .88
W1A	1 NPT(F) WATER INLET (SEE NOTE 2)	N/A
W1B	3/8 NPT(F) WATER INLET (SEE NOTE 2)	N/A
W2	1 NPT(F) WATER OUTLET	N/A

OIL CONNECTION POINTS SUMMARY		
(REFER TO MANUAL FOR FURTHER INFORMATION)		
DESCRIPTION	THREAD SIZE	QTY
LUBE QUILL (LQx)	1/4 NPT (F)	1
LUBE POINTS (LPx)	1/4 NPT (F)	4

- NOTES:
1.  $\nabla$  CENTER OF MASS DIMENSIONS ARE APPROXIMATE
  2. EITHER WATER INLET MAY BE USED, DEPENDING UPON SYSTEM NEEDS
  3. WEIGHT IS APPROXIMATE
  4. DRAWING IS DUAL DIMENSION. DIMENSIONS WITHOUT BRACKETS ARE IN INCHES, DIMENSIONS WITH [BRACKETS] ARE IN MILLIMETERS.

UNLESS OTHERWISE SPECIFIED: DIMENSIONS ARE IN INCHES UNLESS INDICATED. ANGULAR TOLERANCES: 1/16 AND FLANGE DIMENSIONS: 1/16 UNLESS OTHERWISE SPECIFIED. PROPRIETARY AND CONFIDENTIAL. THE INFORMATION CONTAINED IN THIS DRAWING IS THE SOLE PROPERTY OF RO-FLO COMPRESSORS, LLC. ANY REPRODUCTION IN PART OR AS A WHOLE WITHOUT THE WRITTEN PERMISSION OF RO-FLO COMPRESSORS, LLC IS PROHIBITED.

DATE	7/27/2020
DESIGNED BY	TRF
CHECKED BY	TRF
DATE	7/27/2020
DESIGNED BY	TRF
CHECKED BY	TRF
DATE	7/27/2020

Ro-Flo Compressors, LLC  
GENERAL ARRANGEMENT, 2CC.Sf.CCW  
PART NO. 16-123-633-519  
REV. 04  
1 OF 1