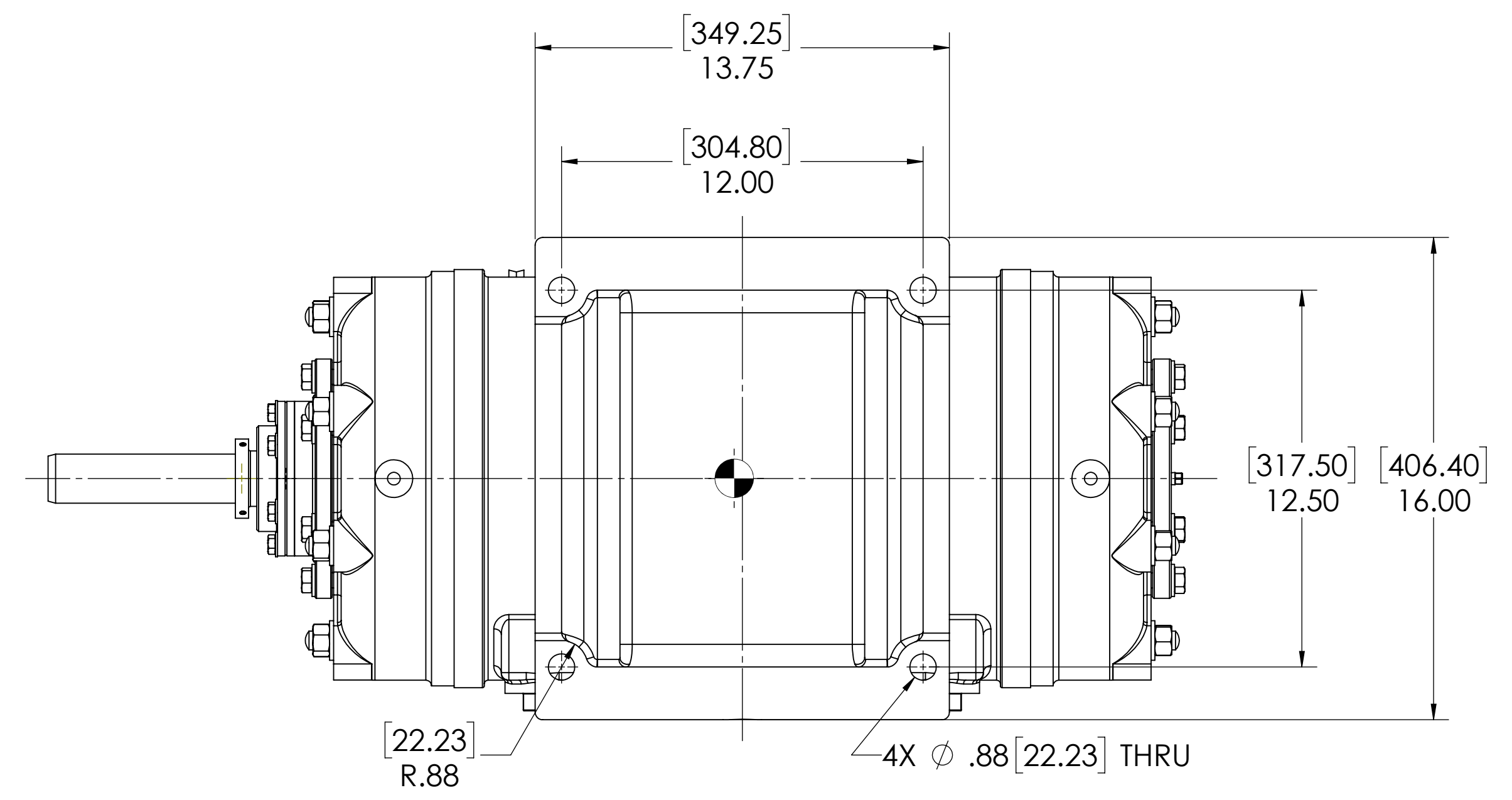
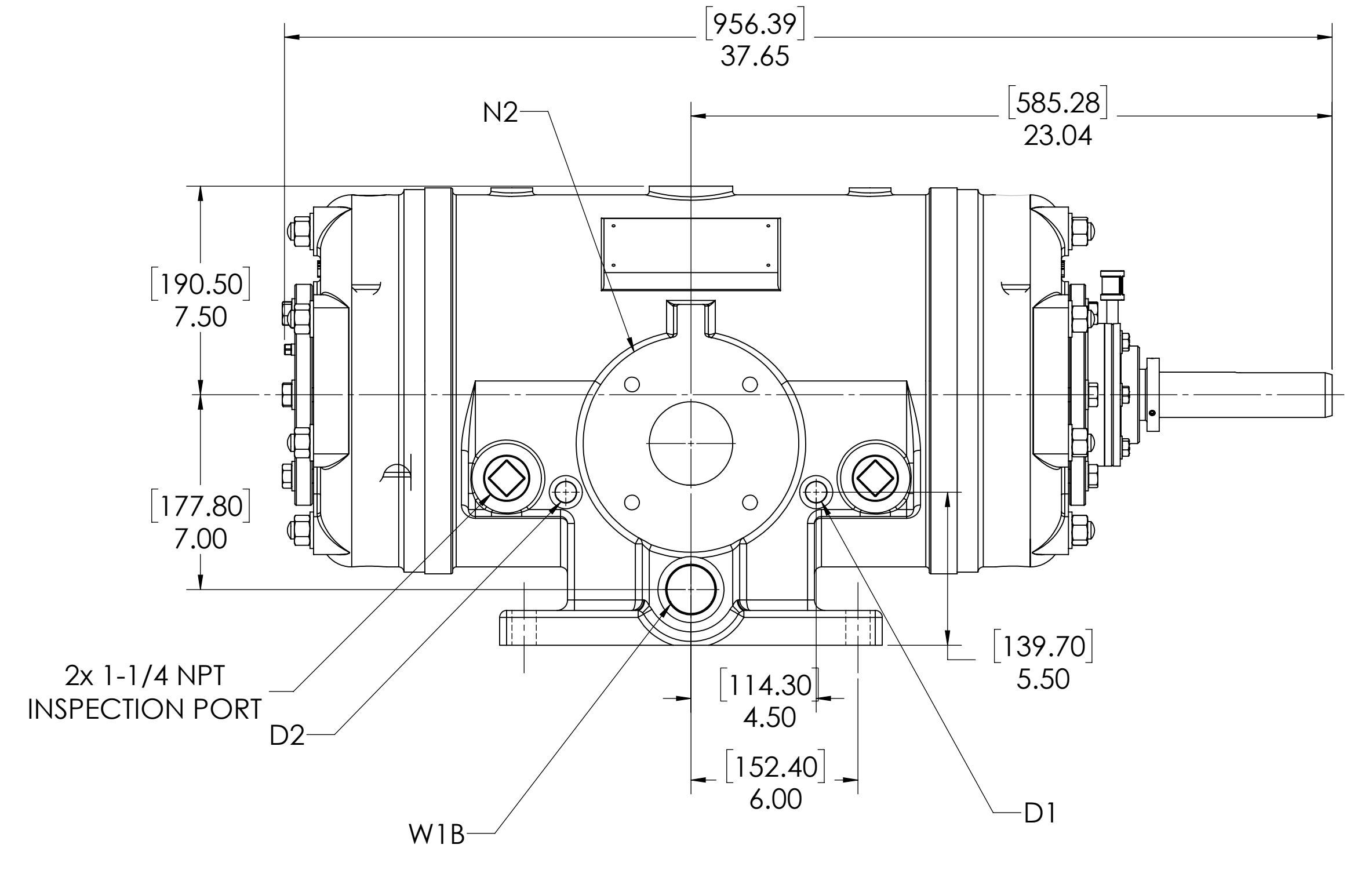
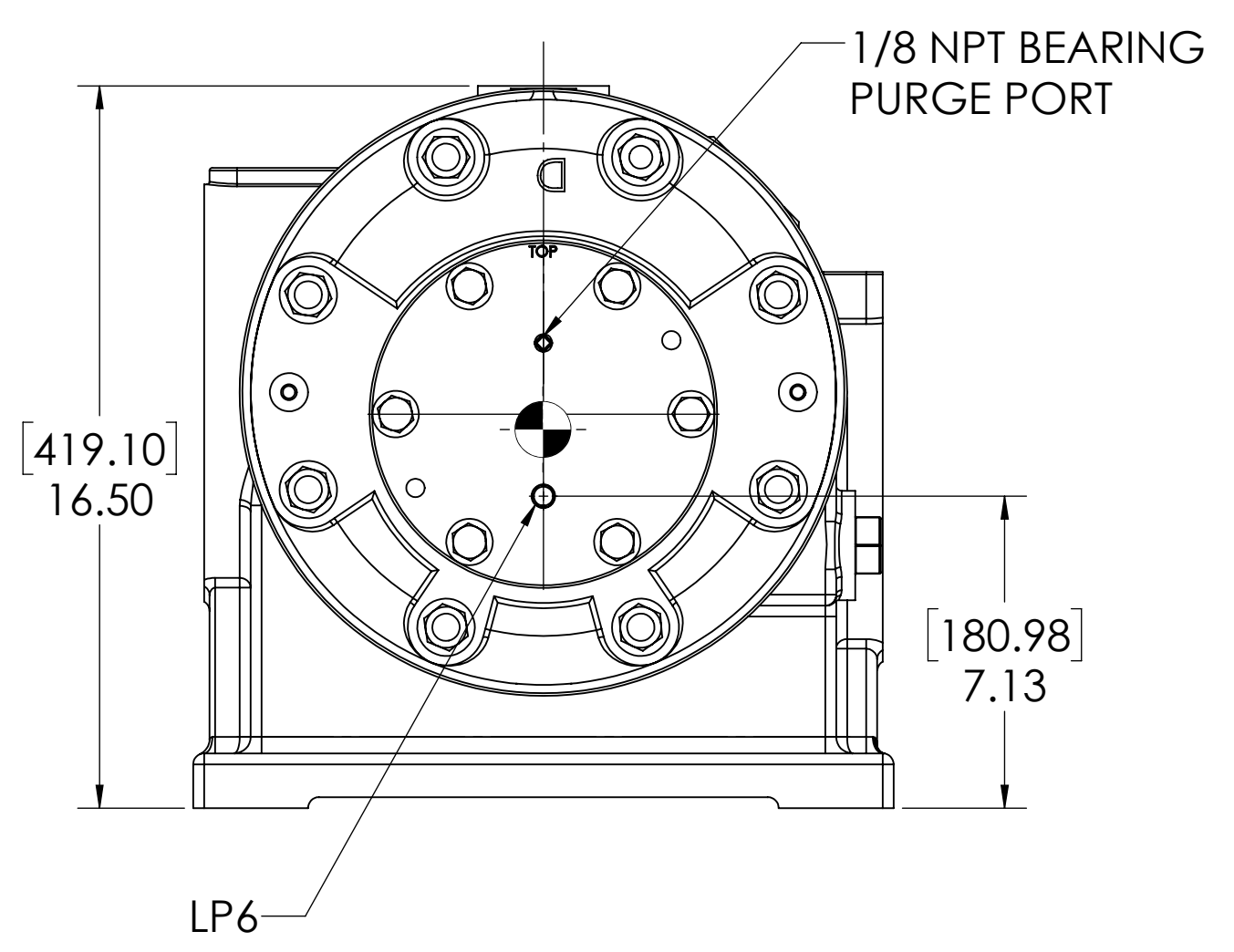
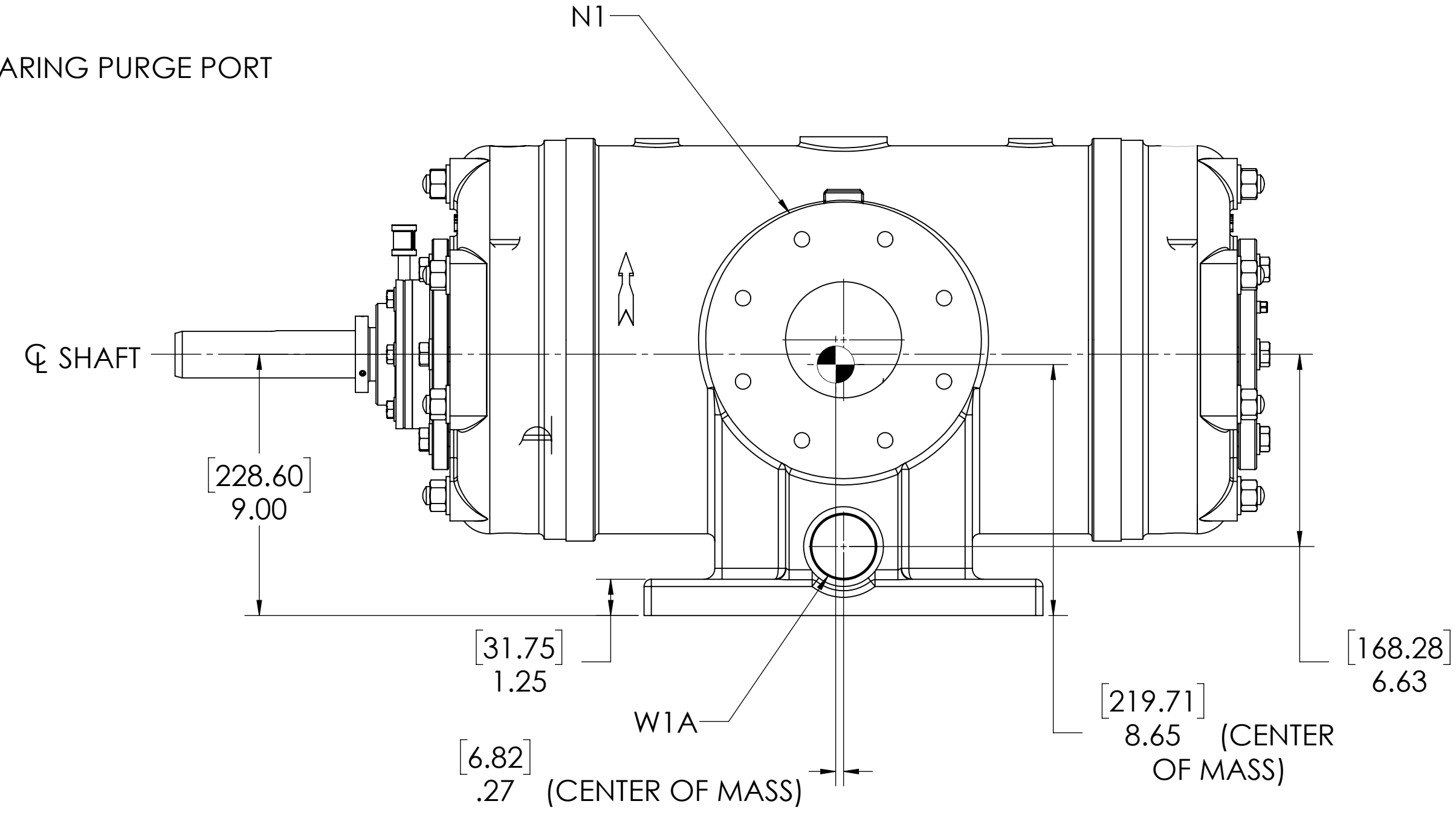
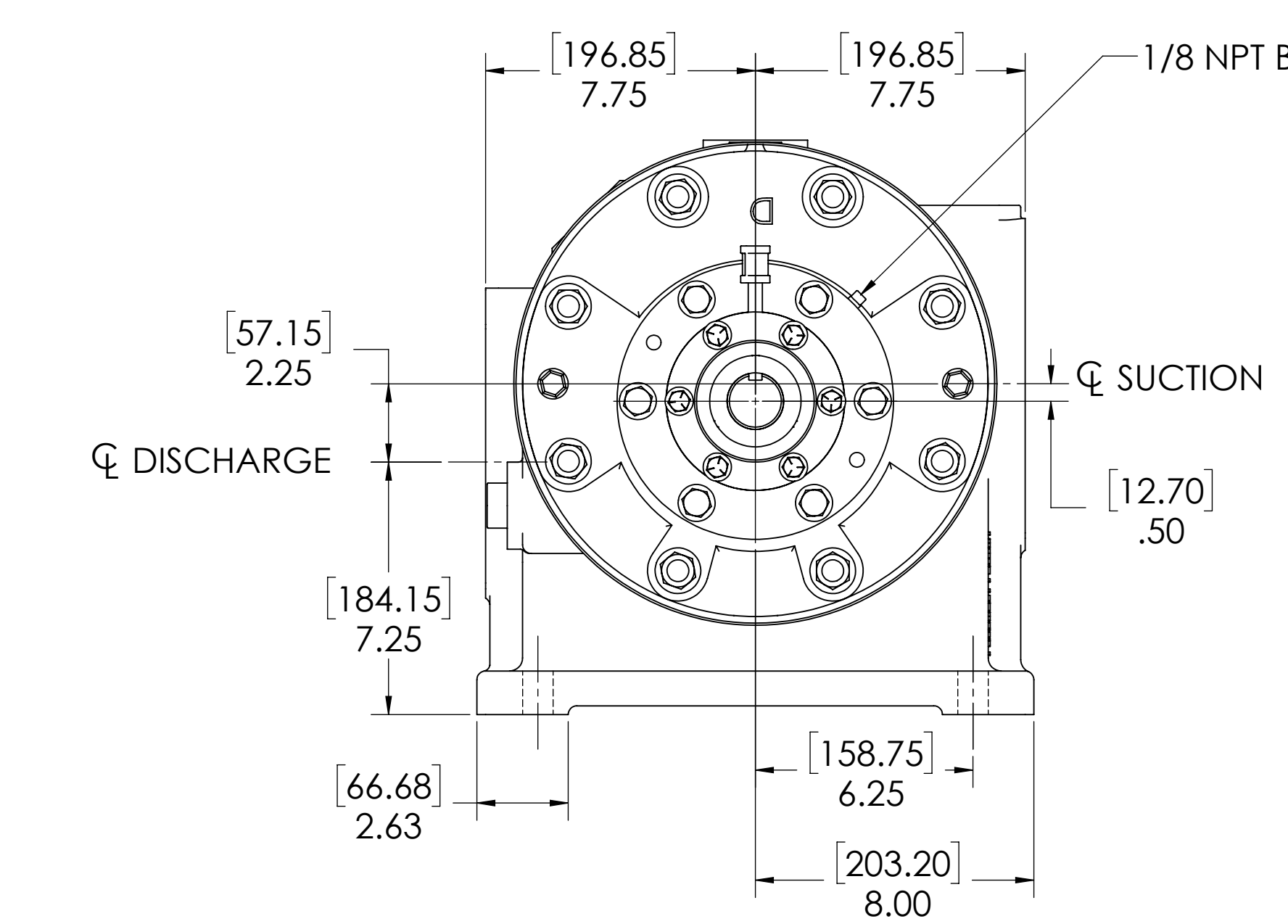


DETAIL OF ROTOR KEYWAY



- NOTES:
- CENTER OF MASS DIMENSIONS ARE APPROXIMATE
  - EITHER WATER INLET MAY BE USED, DEPENDING UPON SYSTEM NEEDS
  - WEIGHT IS APPROXIMATE
  - DRAWING IS DUAL DIMENSION. DIMENSIONS ARE IN INCHES, DIMENSIONS IN [BRACKETS] ARE IN MILLIMETERS.

NOZZLE CONNECTIONS	BOLT HOLE SIZE
N1 4" GAS SUCTION FLANGE (ANSI CLASS 150 FLAT FACE)	8 x 5/8-11 ∇ 1.00
N2 3" GAS DISCHARGE FLANGE (ANSI CLASS 150 FLAT FACE)	4 x 5/8-11 ∇ 1.00
W1A 2 NPT(F) WATER INLET (SEE NOTE 2)	N/A
W1B 1-1/2 NPT(F) WATER INLET (SEE NOTE 2)	N/A
W2 1-1/4 NPT(F) WATER OUTLET	N/A
D1 1/2 NPT (F) DRAIN HOLE	N/A
D2 1/2 NPT (F) DRAIN HOLE	N/A

LUBRICATION OIL CONNECTION		
(REFER TO MANUAL FOR FURTHER INFORMATION)		
DESCRIPTION	THREAD SIZE	QTY
LUBE QUILL(LQ)	1/4 NPT(F)	1
LUBE POINTS(LPx)	1/4 NPT(F)	6

UNLESS OTHERWISE SPECIFIED: DIMENSIONS ARE IN INCHES, TOLERANCES: ANGULAR: MACH 2 DEG, ONE PLACE DECIMAL, 1/16" AND FLAT DECIMAL, 1/32" THREE PLACE DECIMAL, 1/16" UNLESS OTHERWISE SPECIFIED: INTERFERE GEOMETRIC TOLERANCING PER: ASME Y14.5-2009

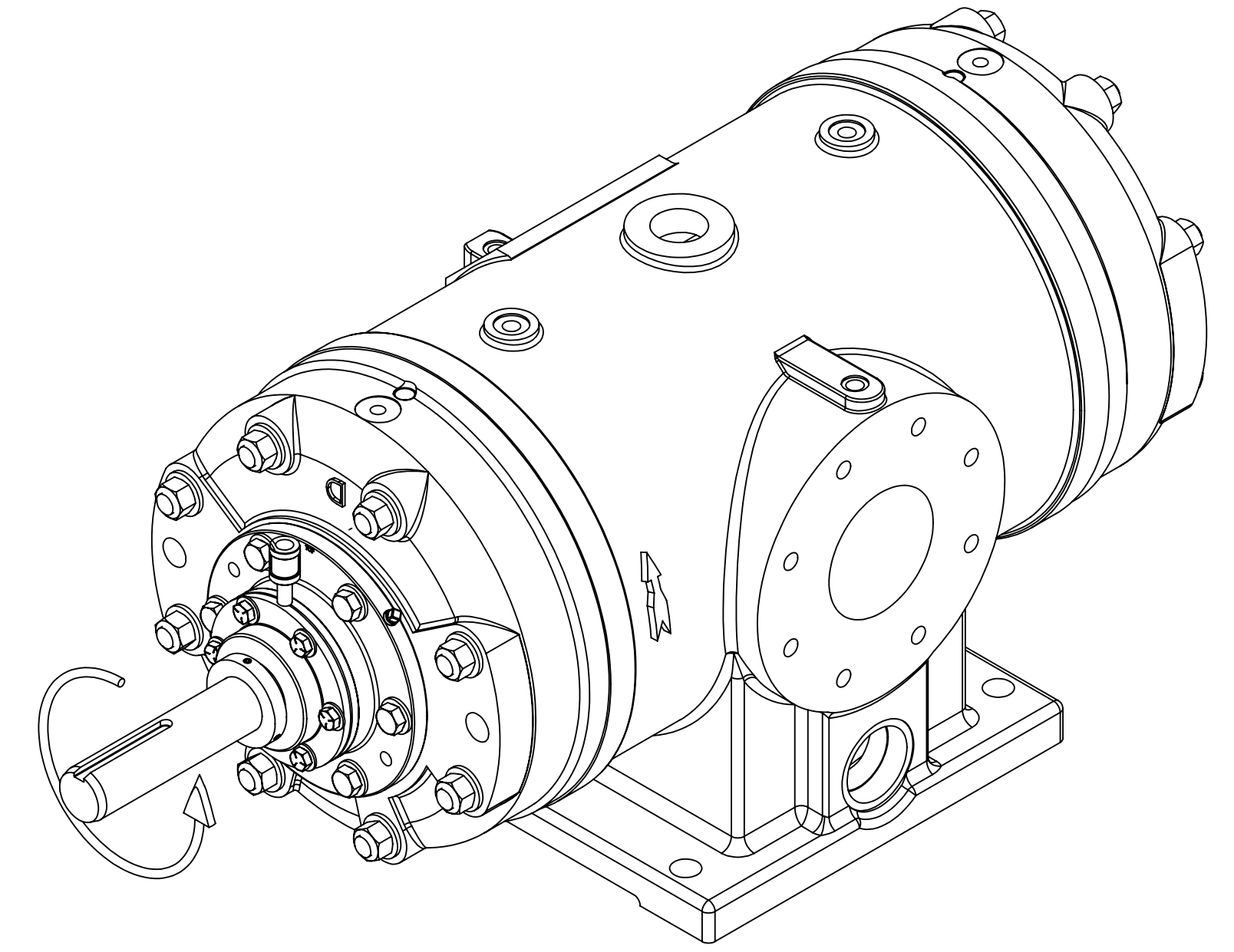
PROPERTY AND CONFIDENTIAL: THE INFORMATION CONTAINED IN THIS DRAWING IS THE SOLE PROPERTY OF RO-FLO COMPRESSORS, LLC. ANY REPRODUCTION IN PART OR AS A WHOLE WITHOUT THE WRITTEN PERMISSION OF RO-FLO COMPRESSORS, LLC IS PROHIBITED.

Ro-Flo COMPRESSORS

GENERAL ARRANGEMENT, 8D, CCW, SF

16-123-633-523 07

SCALE: 1:4 800 LBS 1 OF 1



1/2-13 UNC - 2B ∇ .75 [19.05]  
THIS IS A LIFTING HOLE FOR CYLINDER HEAD (MAINTENANCE) ONLY. DO NOT USE THIS HOLE FOR LIFTING COMPRESSOR!

1/4 NPT DISCHARGE INSTRUMENTATION PORT

∅ 1.25 [31.75] ∇ .04 FLAT MACHINED FOR MOUNTING AN ACCELEROMETER.

1/2-13 UNC - 2B ∇ .75 [19.05]  
THIS IS A LIFTING HOLE FOR CYLINDER HEAD (MAINTENANCE) ONLY. DO NOT USE THIS HOLE FOR LIFTING COMPRESSOR!

∅ 1.25 [31.75] ∇ .04 FLAT MACHINED FOR MOUNTING AN ACCELEROMETER.

1/2-13 UNC - 2B ∇ .75 [19.05]  
THIS IS A LIFTING HOLE FOR CYLINDER HEAD (MAINTENANCE) ONLY. DO NOT USE THIS HOLE FOR LIFTING COMPRESSOR!

∅ 1.25 [31.75] ∇ .04 FLAT MACHINED FOR MOUNTING AN ACCELEROMETER.

[141.22] 5.56 CLEARANCE REQUIRED TO REMOVE CYLINDER HEAD AND SEAL ADAPTER

[133.35] 5.25 CLEARANCE REQUIRED TO REMOVE CYLINDER HEAD AND END COVER

[355.60] 14.00 CLEARANCE REQUIRED TO REMOVE ROTOR BLADES