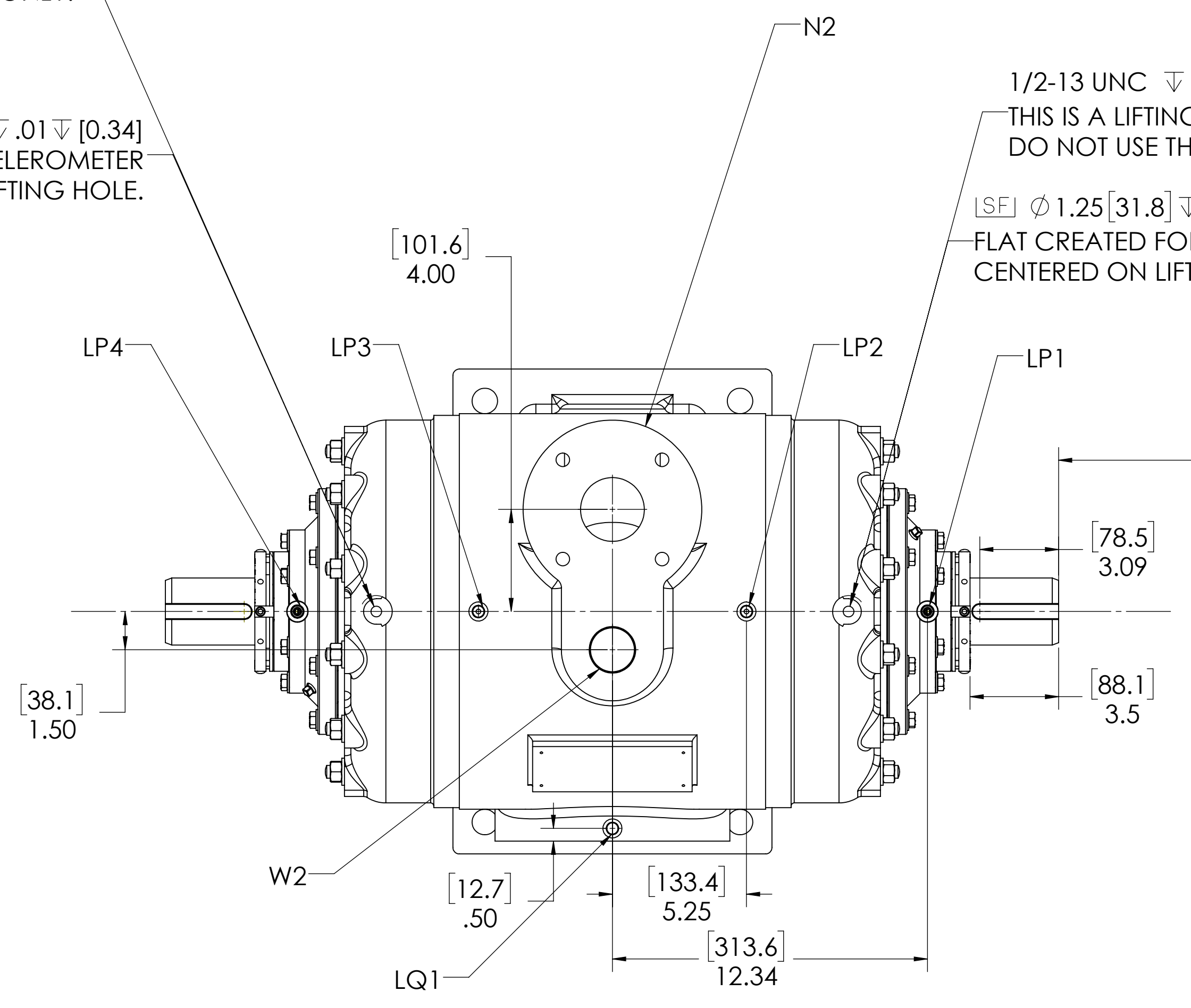


1/2-13 UNC ∇ .75[19.1]
THIS IS A LIFTING HOLE FOR CYLINDER HEAD (MAINTENANCE) ONLY.
DO NOT USE THIS HOLE FOR LIFTING COMPRESSOR!

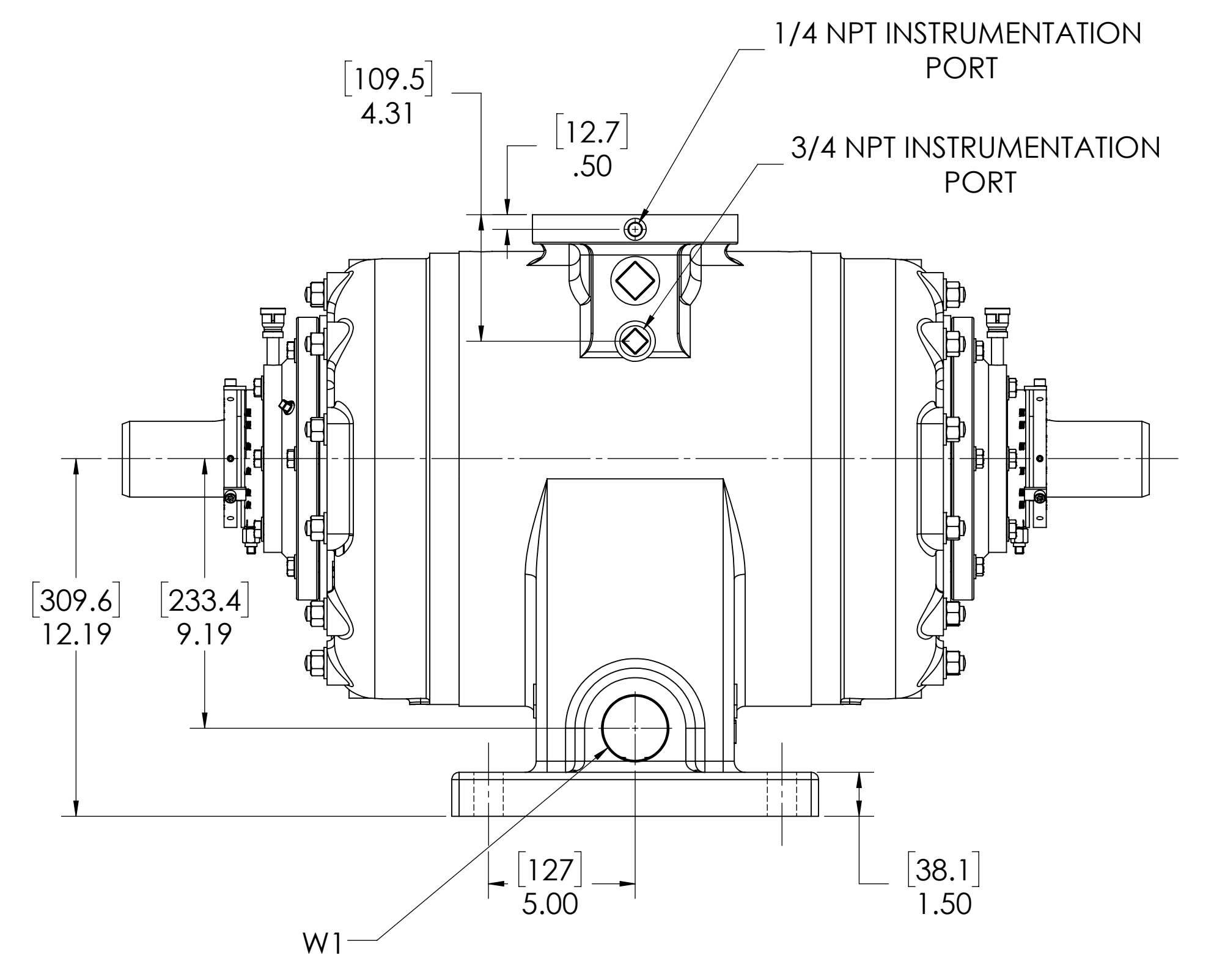
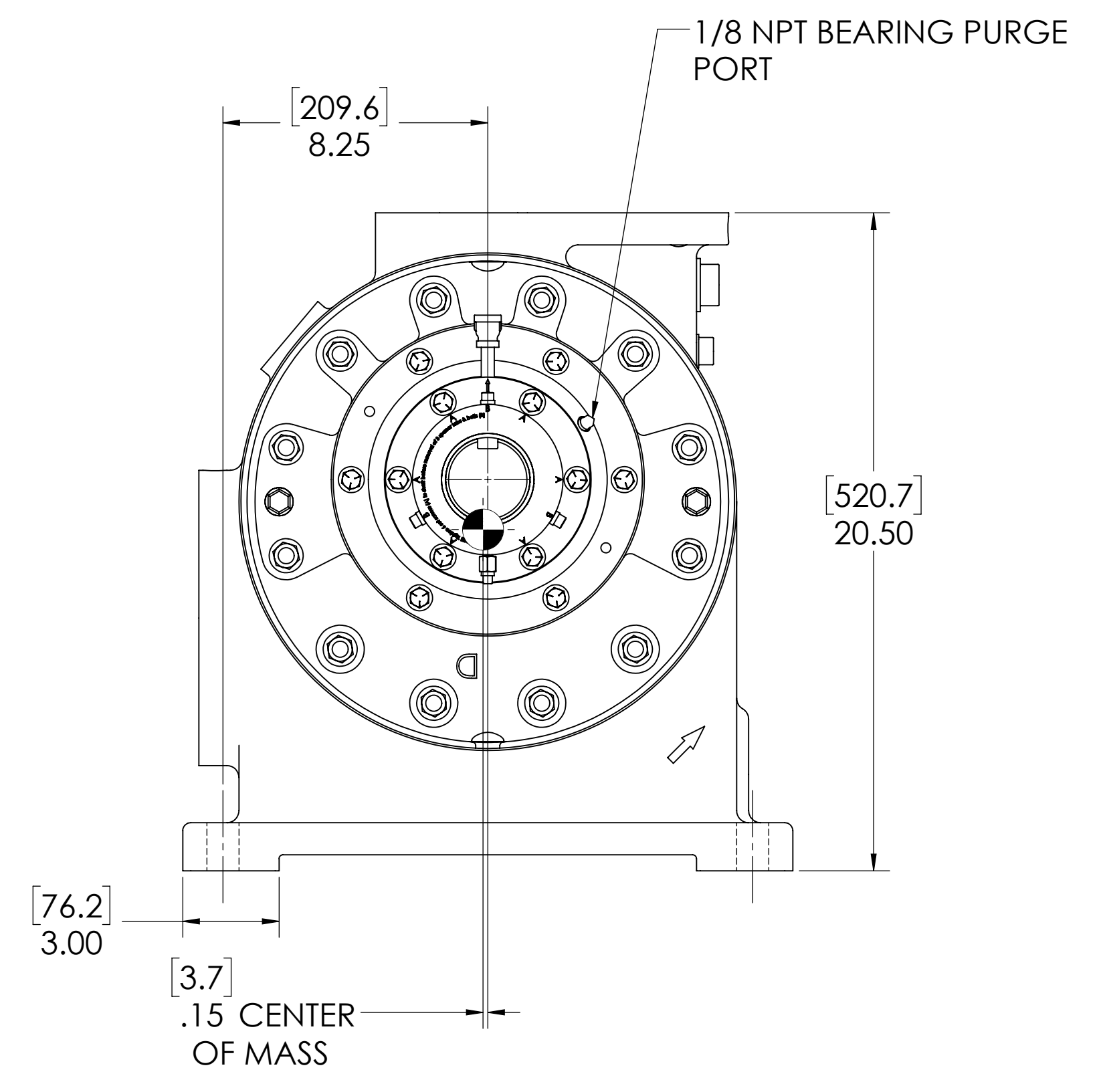
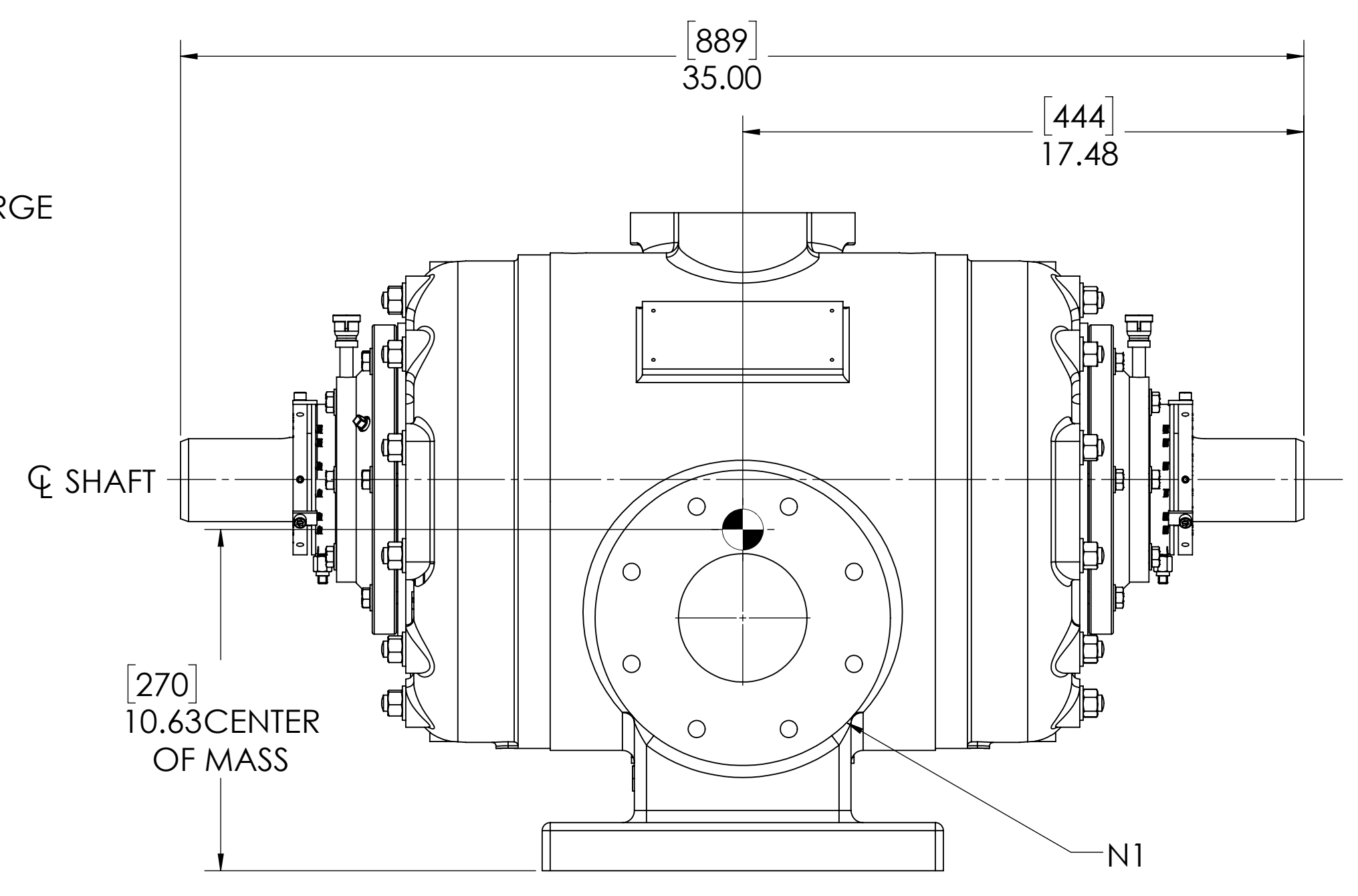
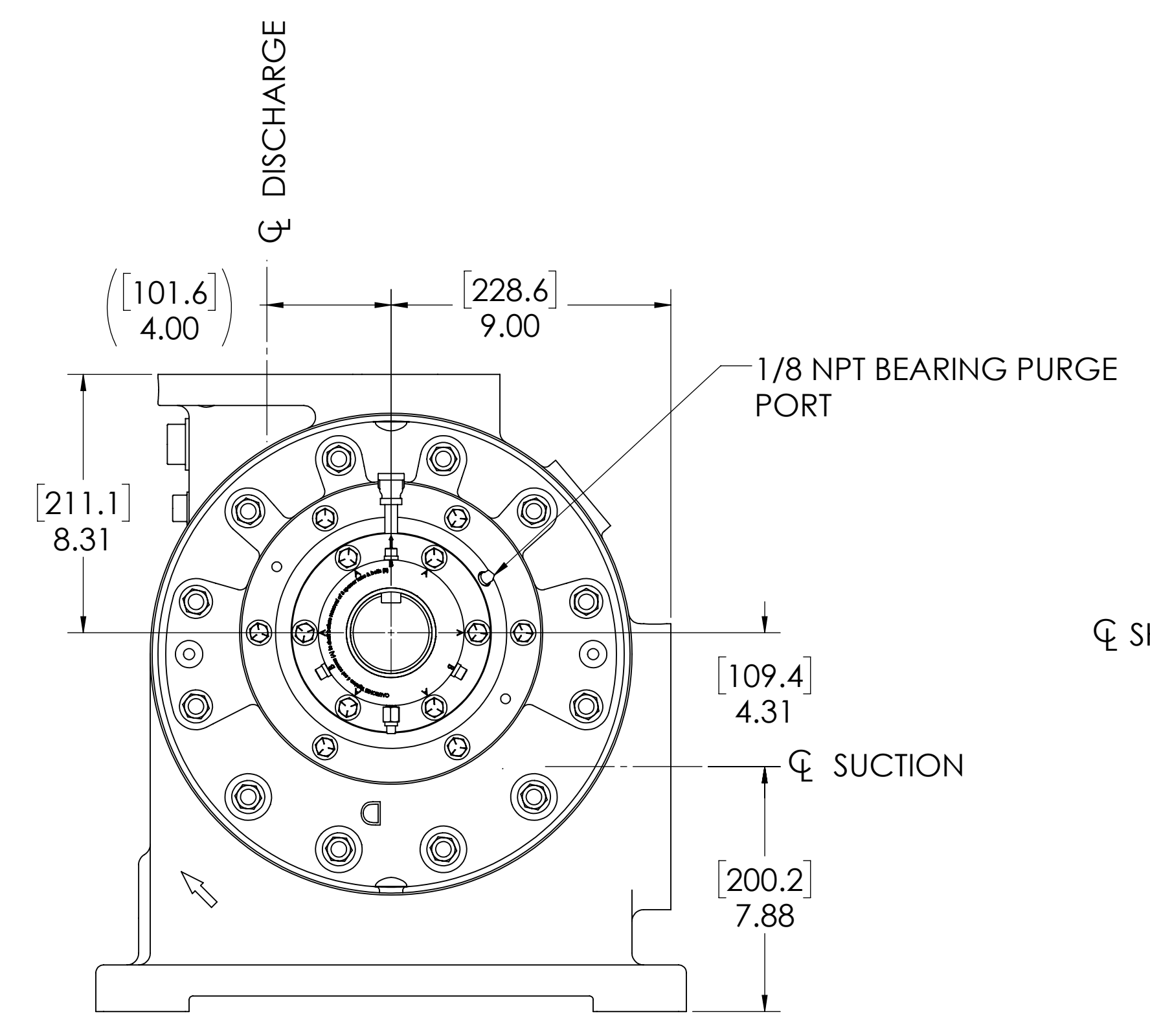
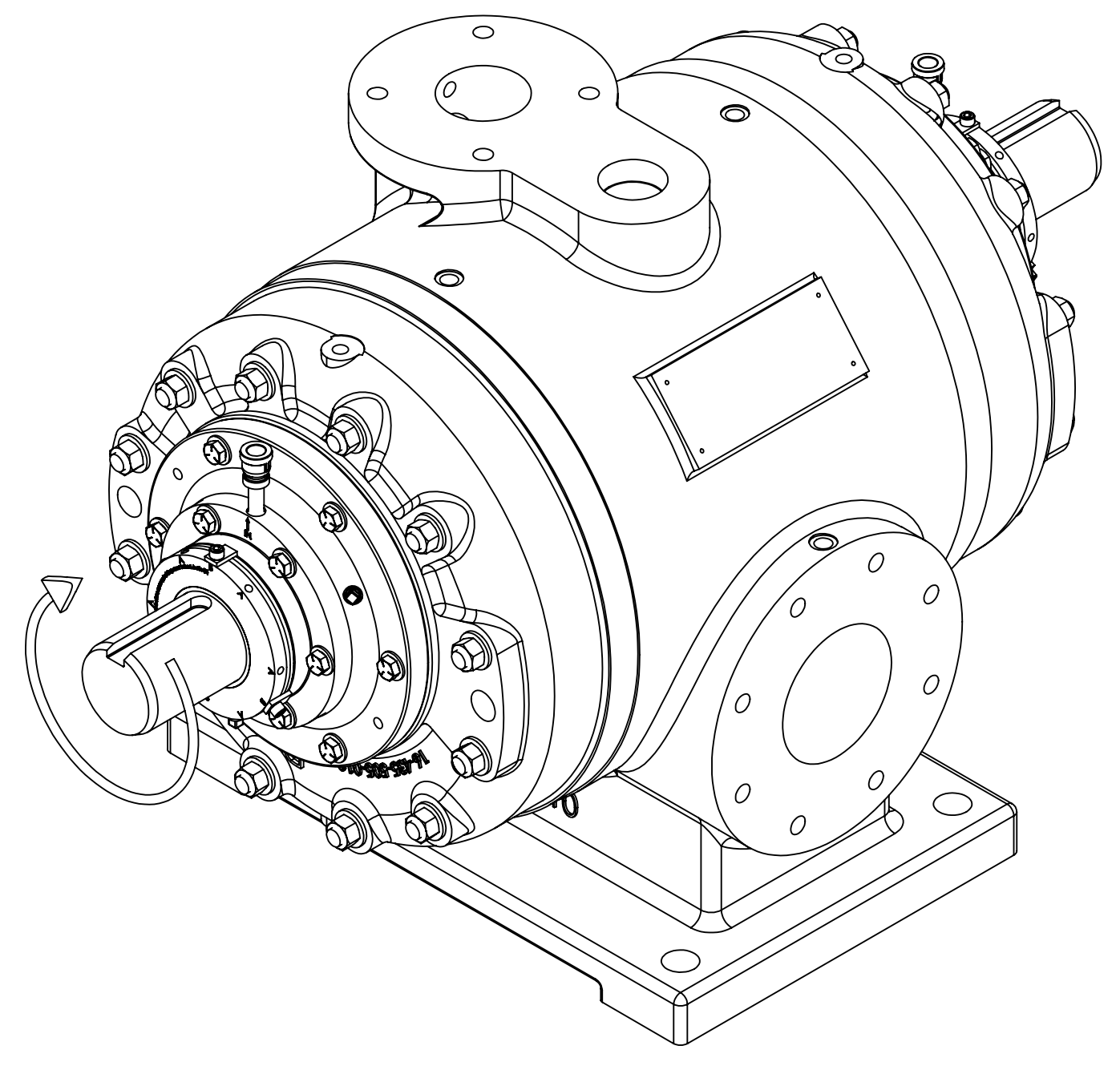
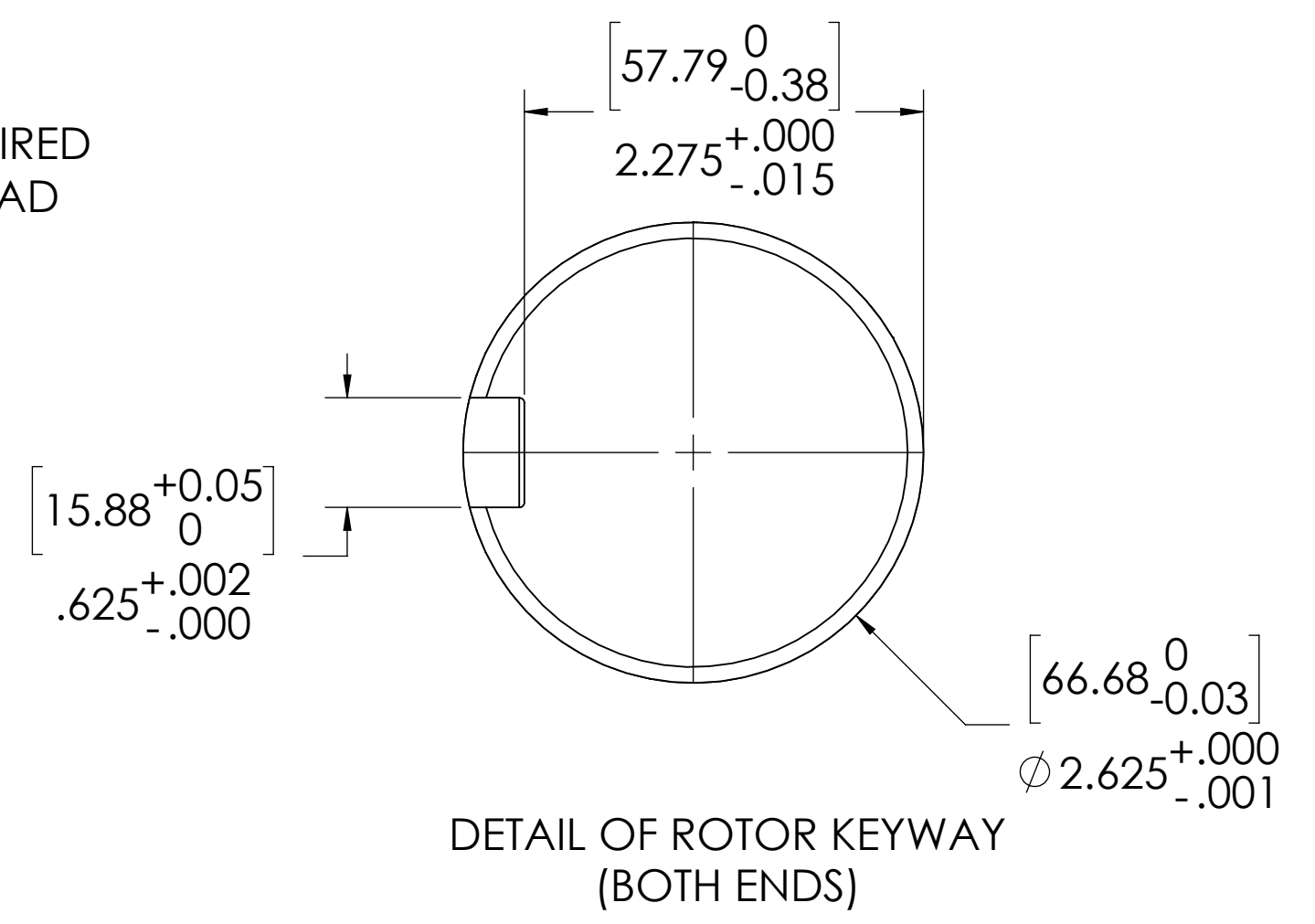
[31.8]
[SF] ϕ 1.25 ∇ .01 ∇ [0.34]
FLAT CREATED FOR MOUNTING ACCELEROMETER
CENTERED ON LIFTING HOLE.

1/2-13 UNC ∇ .75[19.1]
THIS IS A LIFTING HOLE FOR CYLINDER HEAD (MAINTENANCE) ONLY.
DO NOT USE THIS HOLE FOR LIFTING COMPRESSOR!

[SF] ϕ 1.25 [31.8] ∇ .01 [0.3]
FLAT CREATED FOR MOUNTING ACCELEROMETER
CENTERED ON LIFTING HOLE

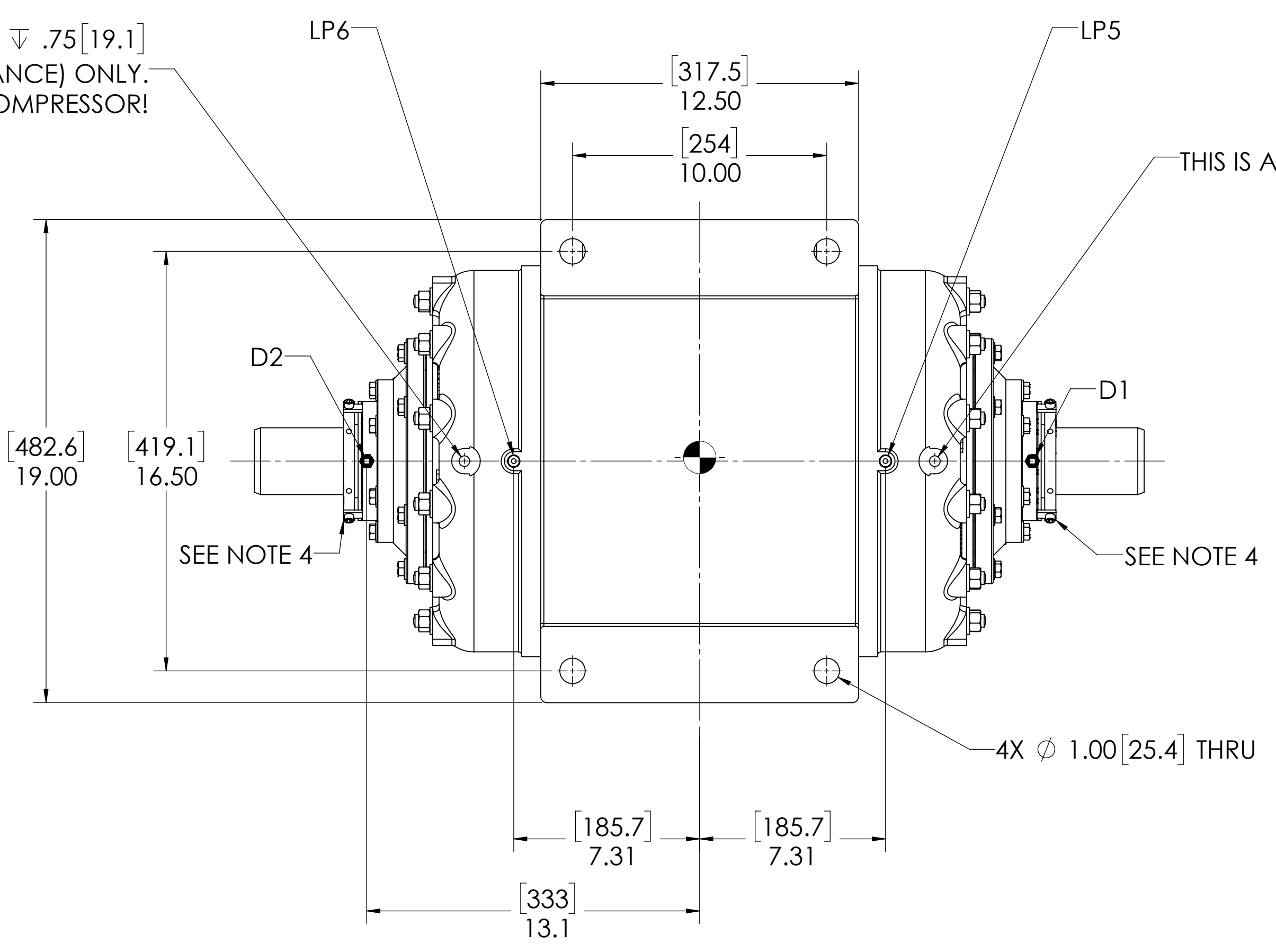


[162.1]
6.38 CLEARANCE REQUIRED
TO REMOVE CYLINDER HEAD
WITH SEAL ADAPTER
AND ROTOR BLADES



1/2-13 UNC ∇ .75[19.1]
THIS IS A LIFTING HOLE FOR CYLINDER HEAD (MAINTENANCE) ONLY.
DO NOT USE THIS HOLE FOR LIFTING COMPRESSOR!

1/2-13 UNC ∇ .75[19.1]
THIS IS A LIFTING HOLE FOR CYLINDER HEAD (MAINTENANCE) ONLY.
DO NOT USE THIS HOLE FOR LIFTING COMPRESSOR!



NOTES:

- CENTER OF MASS DIMENSIONS ARE APPROXIMATE
- WEIGHT IS APPROXIMATE
- THIS DRAWING IS DUAL DIMENSION. DIMENSIONS WITHOUT BRACKETS ARE IN INCHES, DIMENSIONS IN [BRACKETS] ARE IN MILLIMETERS.
- REMOVE (3) RED SEAL LOCKING TABS BEFORE OPERATION. RETAIN TABS AND SCREWS FOR SERVICE (TABS MUST BE INSTALLED BEFORE SEAL REMOVAL).

OIL CONNECTION POINTS SUMMARY		
(REFER TO MANUAL FOR FURTHER INFORMATION)		
DESCRIPTION	THREAD SIZE	QTY
OIL QUILL (LQx)	1/4 NPT	1
LUBE POINTS (LPx)	1/4 NPT	6

NOZZLE CONNECTIONS		BOLT HOLE SIZE
N1	4" GAS SUCTION FLANGE (ANSI CLASS 150 FLAT FACE)	8 x 5/8-11 ∇ 1.00
N2	2.5" GAS DISCHARGE FLANGE (ANSI CLASS 150 FLAT FACE)	4 x 5/8-11 ∇ 1.00
W1	2 NPT(F) WATER INLET	N/A
D1	1/8 NPT (F) SEAL WEEPAGE DRAIN	N/A
D2	1/8 NPT (F) SEAL WEEPAGE DRAIN	N/A

UNLESS OTHERWISE SPECIFIED: DRAWINGS ARE IN INCHES UNLESS INDICATED. ANGULAR DIMENSIONS: 1/16" AND FLANGE DIMENSIONS: 1/32" UNLESS OTHERWISE SPECIFIED. INTERPRET GEOMETRIC TOLERANCING PER: ASME Y14.5-2009. PROPRIETARY AND CONFIDENTIAL. THE INFORMATION CONTAINED IN THIS DRAWING IS THE SOLE PROPERTY OF RO-FLO COMPRESSORS, LLC. IT IS TO BE USED ONLY FOR THE MANUFACTURE OF RO-FLO COMPRESSORS, LLC. S. PROVISIONS.

NAME: DATE: 12/07/2022
DRAWN: 18F
CHECKED: 15S
ENG. APPR: 85S
DATE: 12/07/2022

Ro-Flo COMPRESSORS
GENERAL ARRANGEMENT, HP10, SC, DOUBLE EXTENSION
PART NO. 16-123-619-012
REV 00
SCALE: 1:4
880 LBS. SHEET 1 OF 1