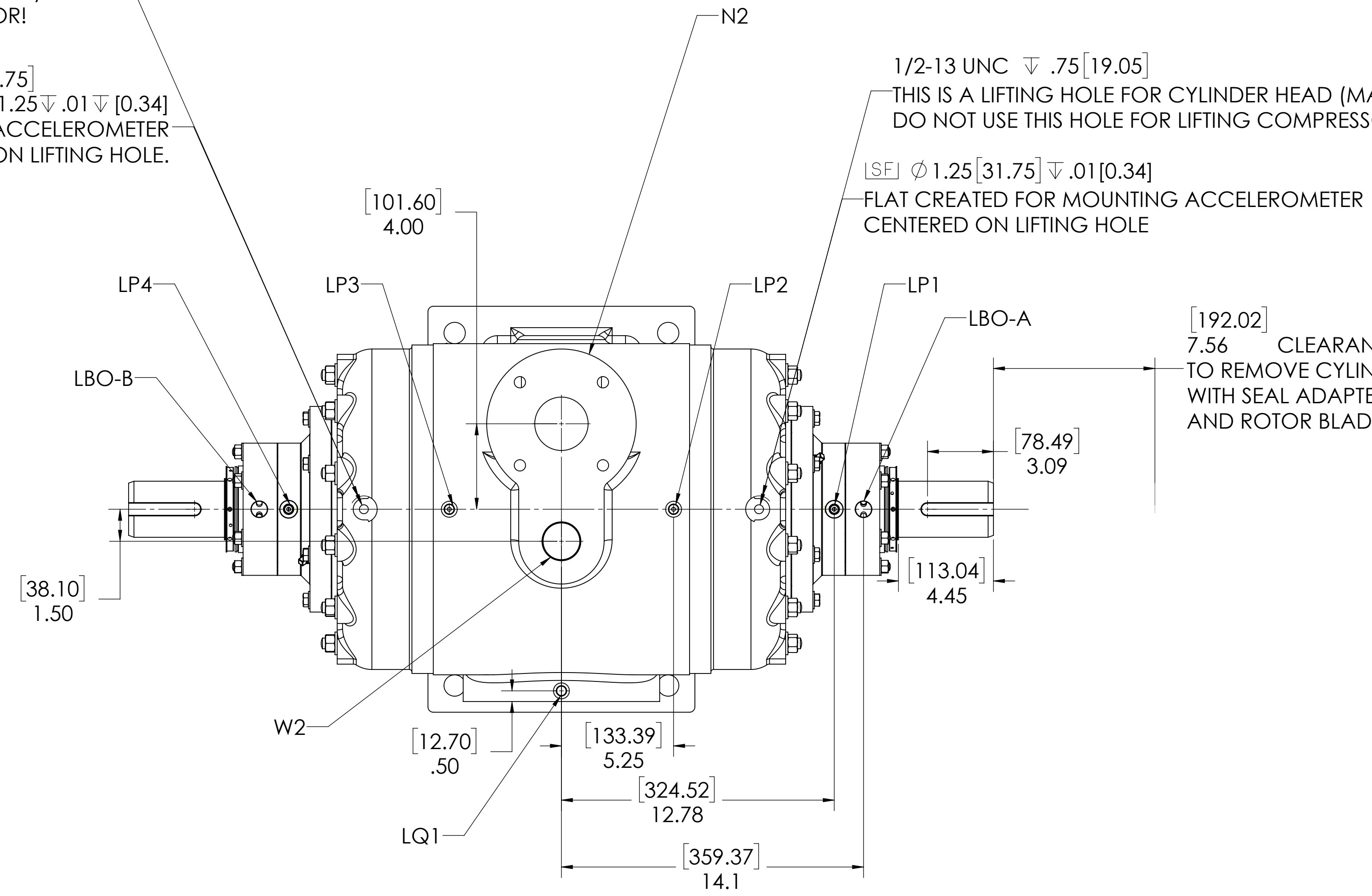


1/2-13 UNC ∇ .75 [19.05]
THIS IS A LIFTING HOLE FOR CYLINDER HEAD (MAINTENANCE) ONLY.
DO NOT USE THIS HOLE FOR LIFTING COMPRESSOR!

[31.75] [SF] ϕ 1.25 ∇ .01 ∇ [0.34]
FLAT CREATED FOR MOUNTING ACCELEROMETER
CENTERED ON LIFTING HOLE.

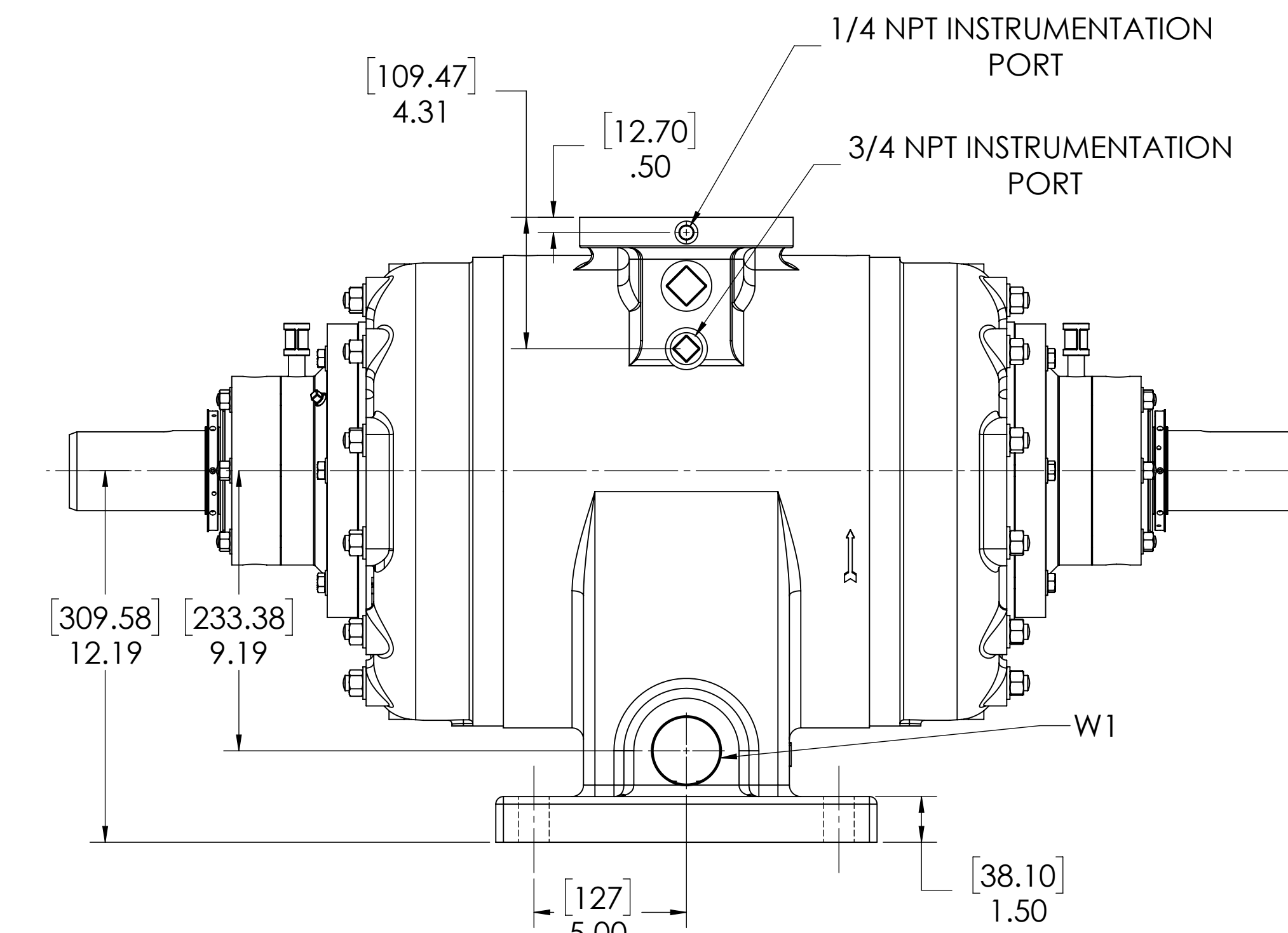
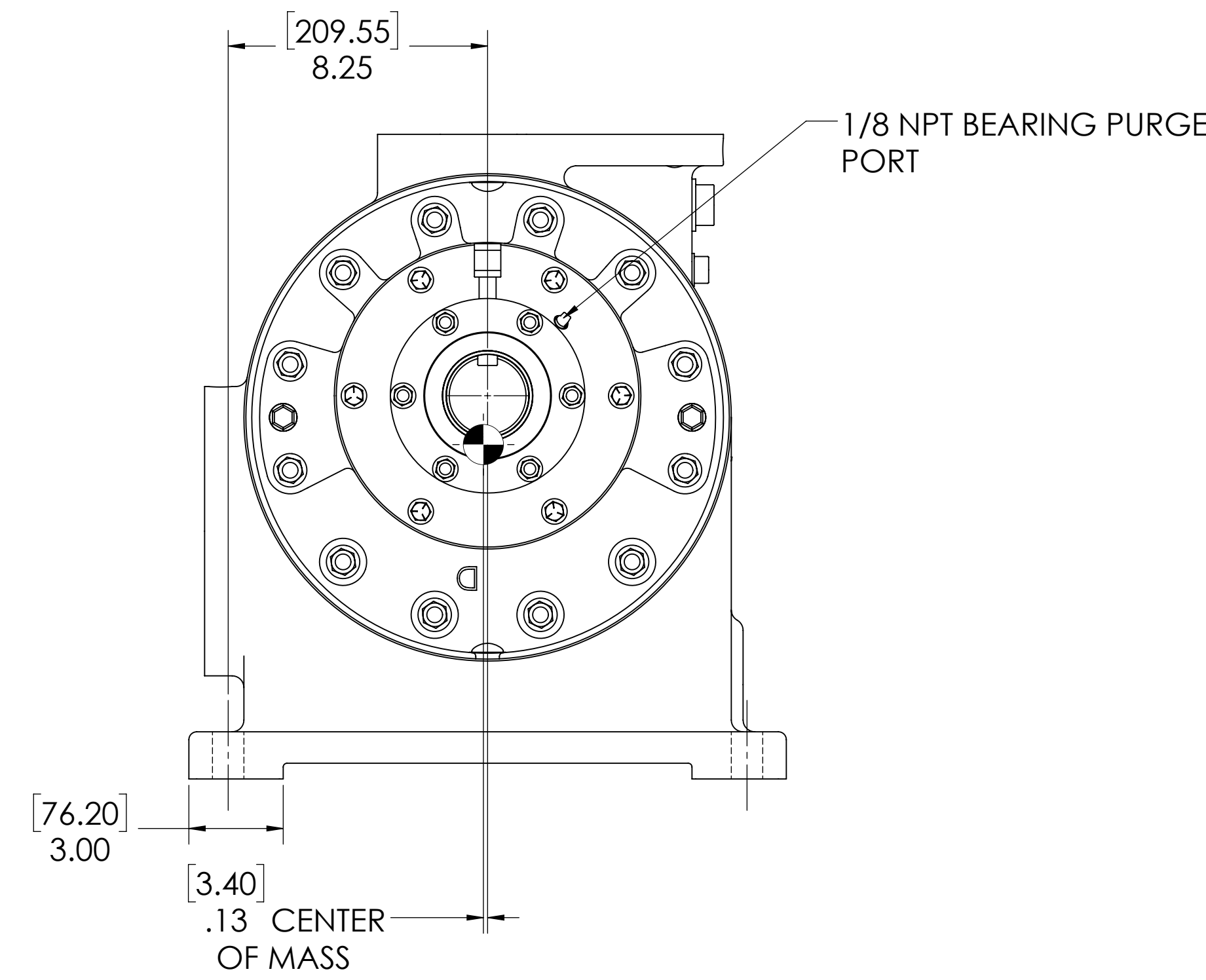
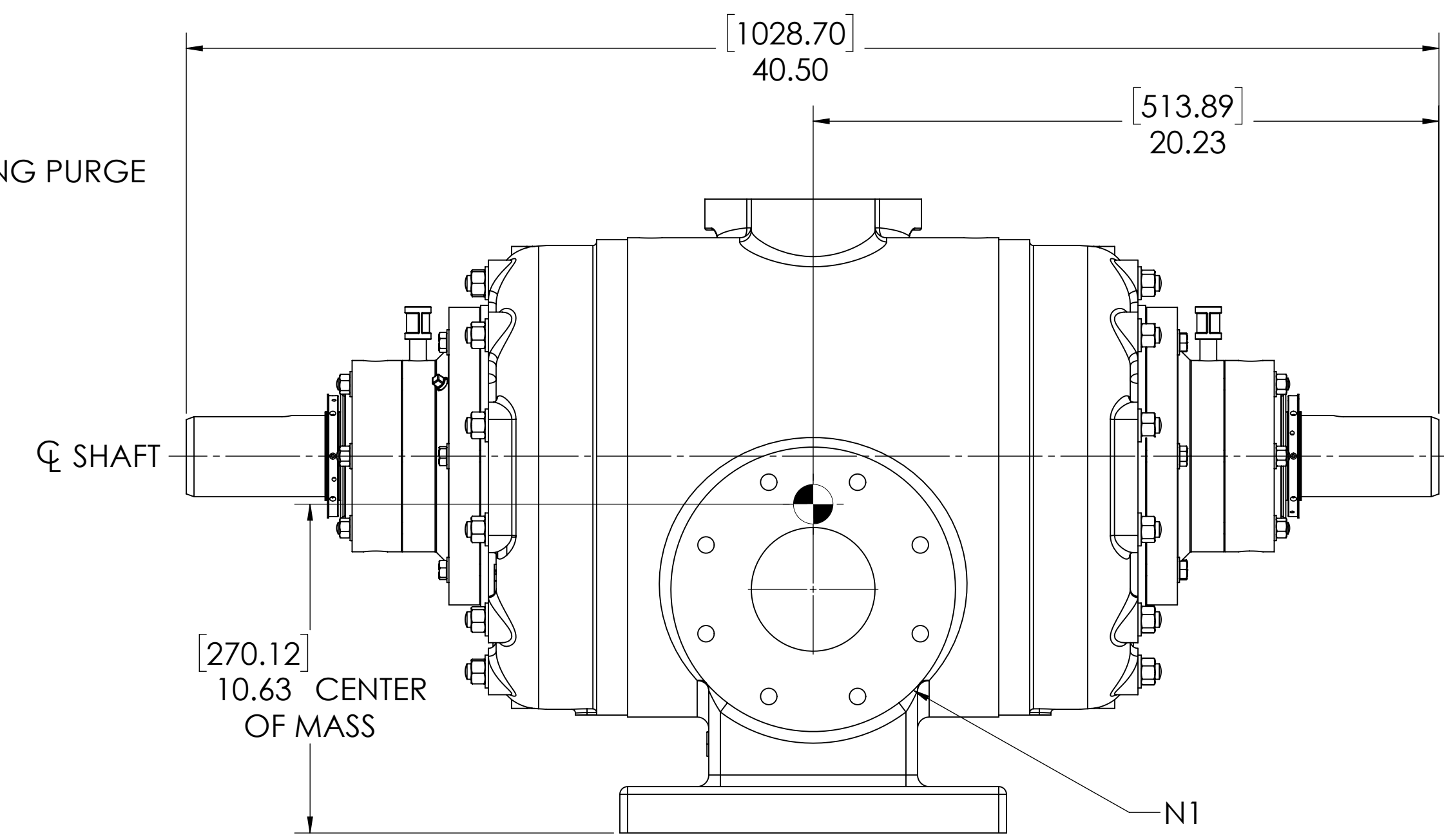
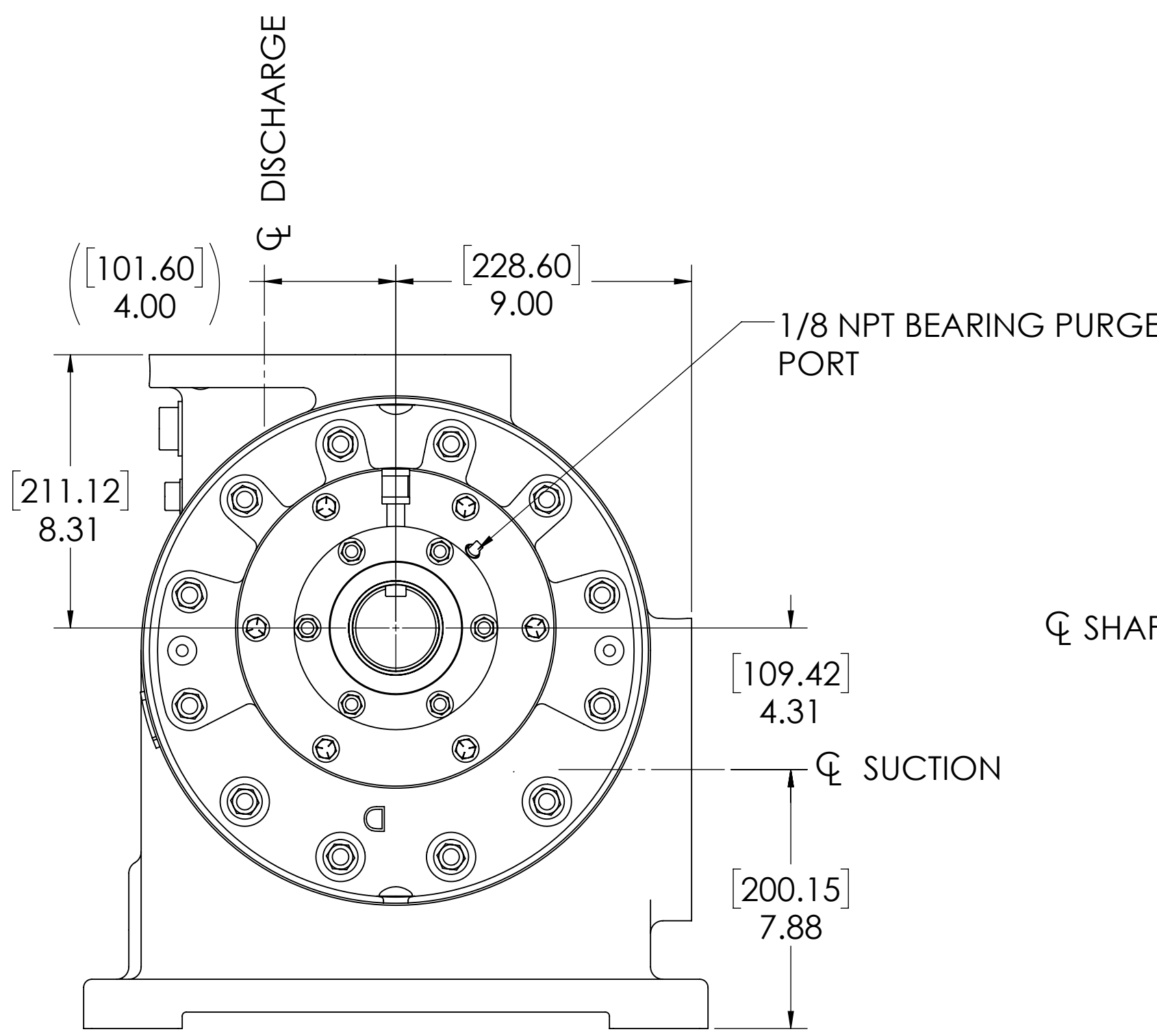
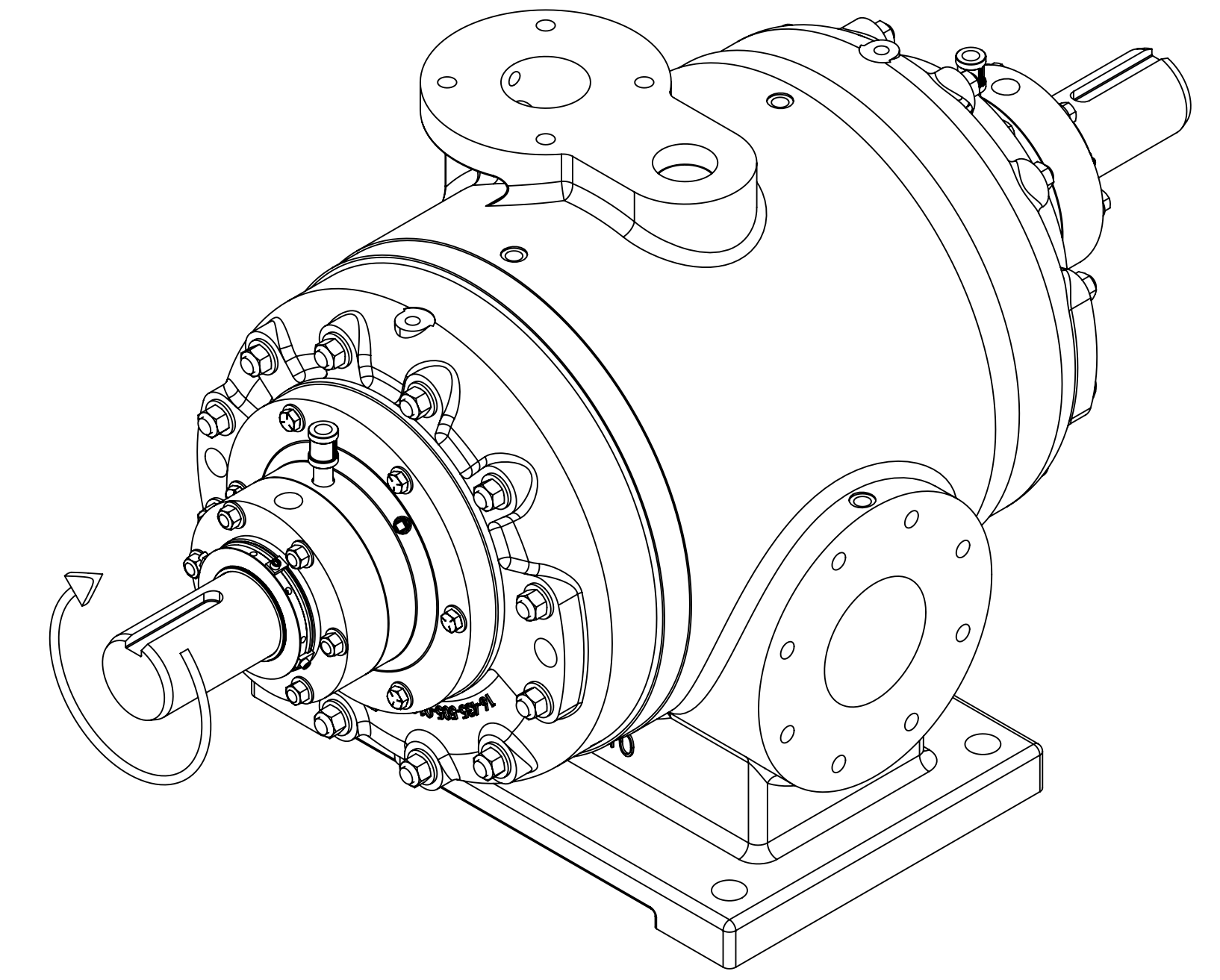


1/2-13 UNC ∇ .75 [19.05]
THIS IS A LIFTING HOLE FOR CYLINDER HEAD (MAINTENANCE) ONLY.
DO NOT USE THIS HOLE FOR LIFTING COMPRESSOR!

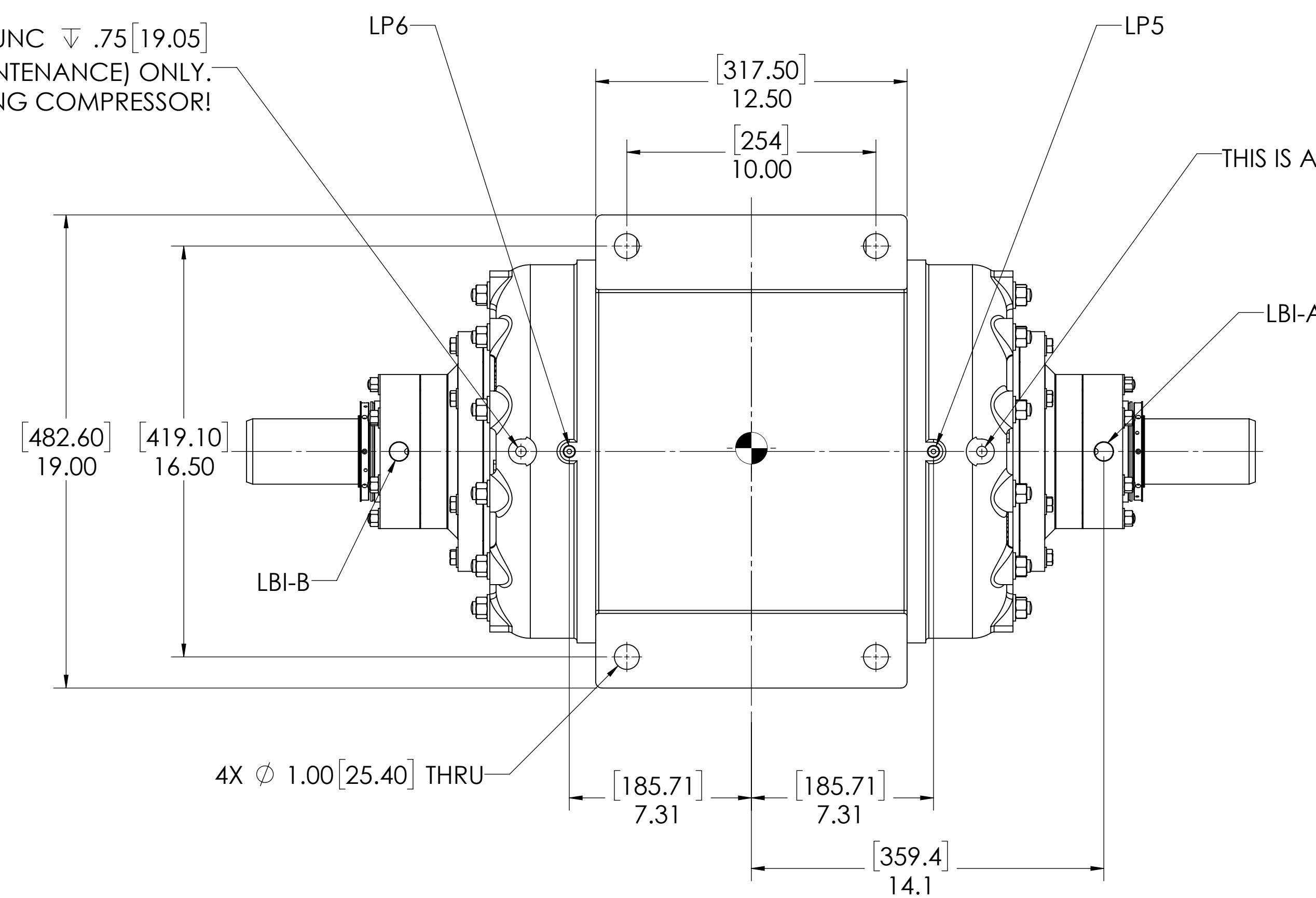
[SF] ϕ 1.25 [31.75] ∇ .01 [0.34]
FLAT CREATED FOR MOUNTING ACCELEROMETER
CENTERED ON LIFTING HOLE

[192.02] 7.56 CLEARANCE REQUIRED
TO REMOVE CYLINDER HEAD
WITH SEAL ADAPTER
AND ROTOR BLADES

DETAIL OF ROTOR KEYWAY
(BOTH ENDS)



1/2-13 UNC ∇ .75 [19.05]
THIS IS A LIFTING HOLE FOR CYLINDER HEAD (MAINTENANCE) ONLY.
DO NOT USE THIS HOLE FOR LIFTING COMPRESSOR!



1/2-13 UNC ∇ .75 [19.05]
THIS IS A LIFTING HOLE FOR CYLINDER HEAD (MAINTENANCE) ONLY.
DO NOT USE THIS HOLE FOR LIFTING COMPRESSOR!

NOTES:

- CENTER OF MASS DIMENSIONS ARE APPROXIMATE
- WEIGHT IS APPROXIMATE
- DRAWING IS DUAL DIMENSION. DIMENSIONS WITHOUT BRACKETS ARE IN INCHES. DIMENSIONS IN [BRACKETS] ARE IN MILLIMETERS

| OIL CONNECTION POINTS SUMMARY (REFER TO MANUAL FOR FURTHER INFORMATION) | | |
|--|-------------|-----|
| DESCRIPTION | THREAD SIZE | QTY |
| OIL QUILL (LQx) | 1/4 NPT | 1 |
| LUBE POINTS (LPx) | 1/4 NPT | 6 |
| SEAL SUPPLY (LBI-A, LBI-B) | 1/2 NPT (F) | 2 |
| SEAL SUPPLY (LBO-A, LBO-B) | 1/2 NPT (F) | 2 |

| | NOZZLE CONNECTIONS | BOLT HOLE SIZE |
|----|--|--------------------------|
| N1 | 4" GAS SUCTION FLANGE (ANSI CLASS 150 FLAT FACE) | 8 x 5/8-11 ∇ 1.00 |
| N2 | 2.5" GAS DISCHARGE FLANGE (ANSI CLASS 150 FLAT FACE) | 4 x 5/8-11 ∇ 1.00 |
| W1 | 2 NPT (F) WATER INLET (SEE NOTE 2) | N/A |
| W2 | 1-1/2 NPT (F) WATER OUTLET | N/A |

UNLESS OTHERWISE SPECIFIED: DIMENSIONS ARE IN INCHES TOLERANCES: ANGULAR-MACH 1 DEG CHEF/PLD/CD/CL/VAL-1-360 TAD/FL/PL/CR/CORAL-1-1000 THRD P/ACE/CR/CAL-1-5000
INTERPRET GEOMETRIC TOLERANCING PER: ASQ
UNLESS OTHERWISE NOTED:
INFORMATION CONTAINED BY THIS DRAWING IS THE SOLE PROPERTY OF RO-FLO COMPRESSORS, LLC. IT IS PROVIDED AS A SERVICE TO OUR CUSTOMERS AND IS NOT TO BE REPRODUCED OR TRANSMITTED IN ANY FORM OR BY ANY MEANS WITHOUT THE WRITTEN PERMISSION OF RO-FLO COMPRESSORS, LLC. © 2017

Ro-Flo Compressors, LLC
GENERAL ARRANGEMENT: HP10, CARTRIDGE DOUBLE EXTENSION
PART NO: 16-123-618-764
SCALE: 1:4
REV: 00