

1/2-13 UNC - 2B ∇ .56 [14.22]
THIS IS A LIFTING HOLE FOR CYLINDER HEAD (MAINTENANCE) ONLY.
DO NOT USE THIS HOLE FOR LIFTING COMPRESSOR!

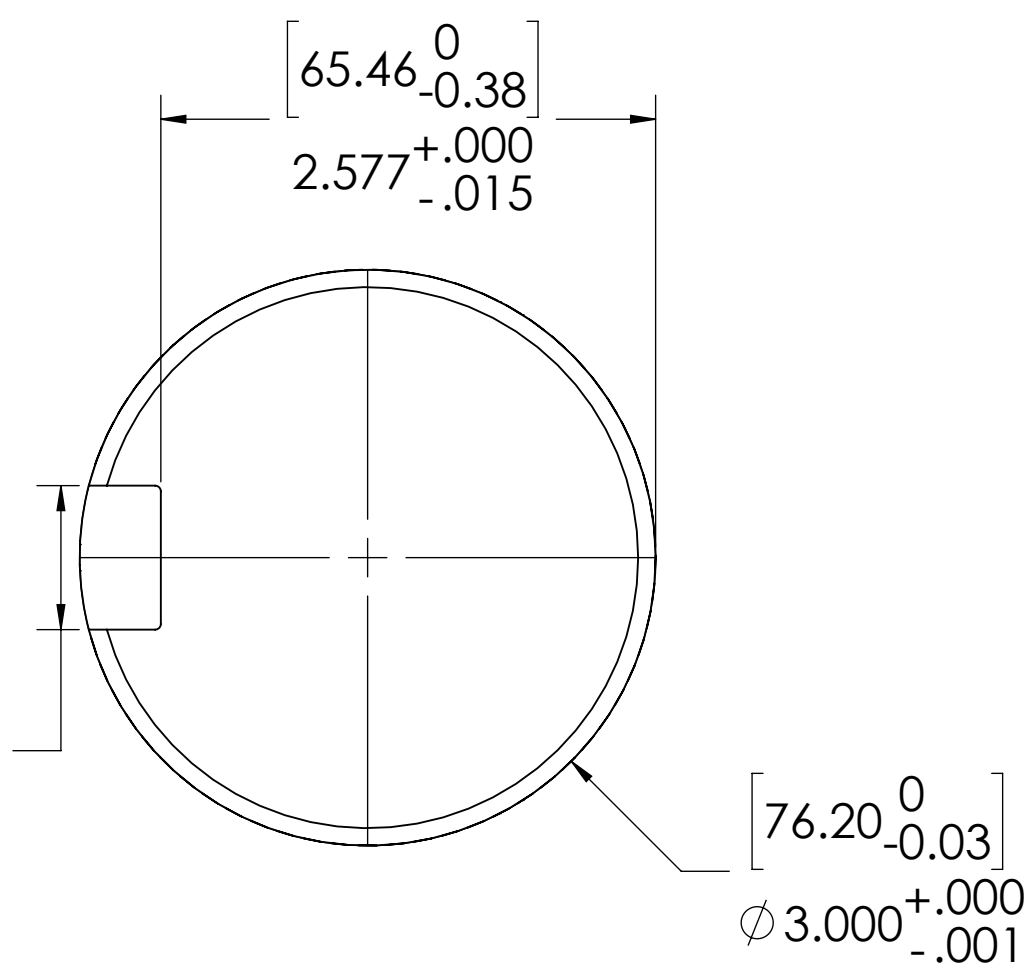
∇ ϕ 1.25 [31.75] ∇ .05
FLAT CREATED FOR MOUNTING ACCELEROMETER
CENTERED ON LIFTING HOLE

1/2-13 UNC - 2B ∇ .56 [14.22]
THIS IS A LIFTING HOLE FOR CYLINDER HEAD (MAINTENANCE) ONLY.
DO NOT USE THIS HOLE FOR LIFTING COMPRESSOR!

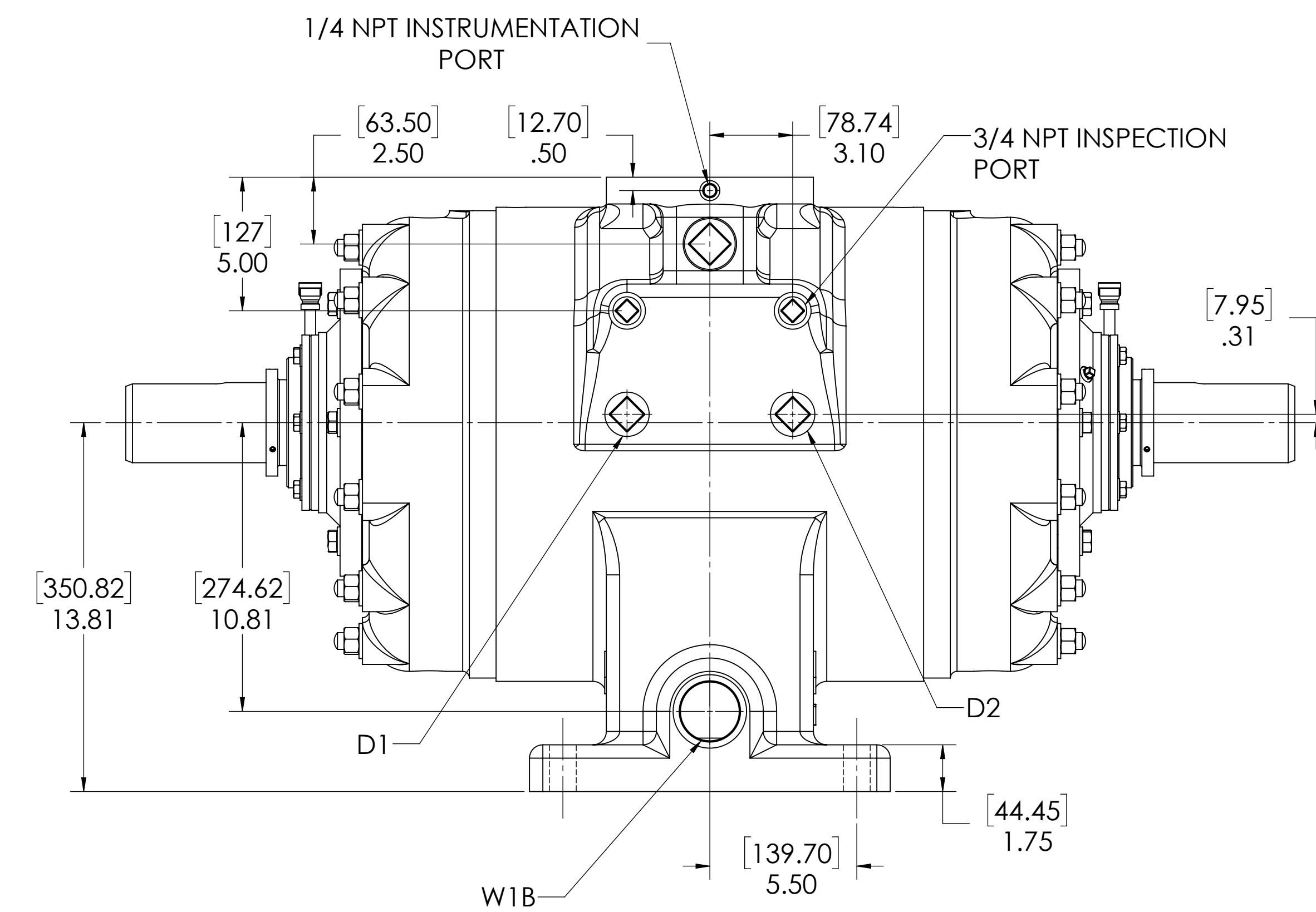
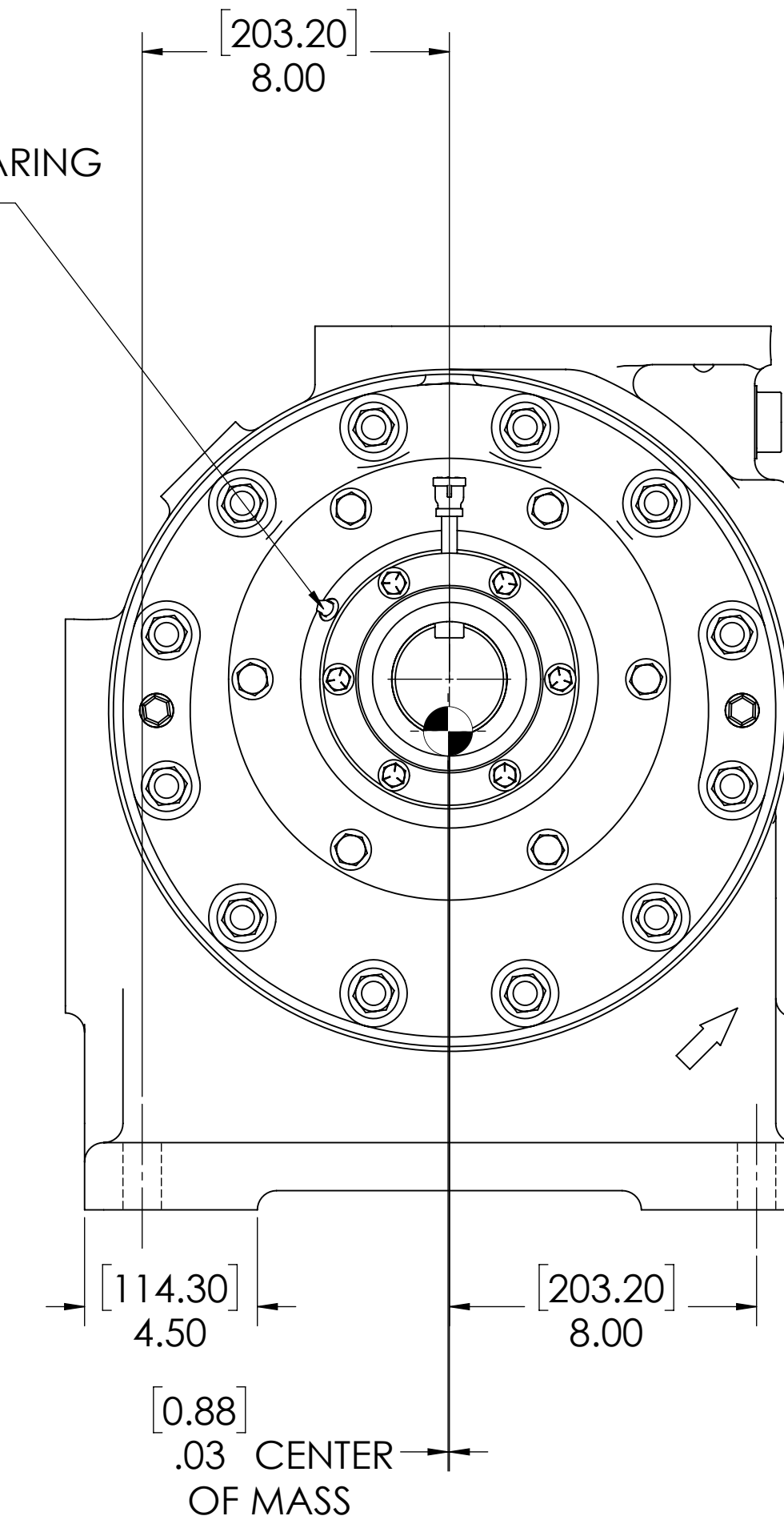
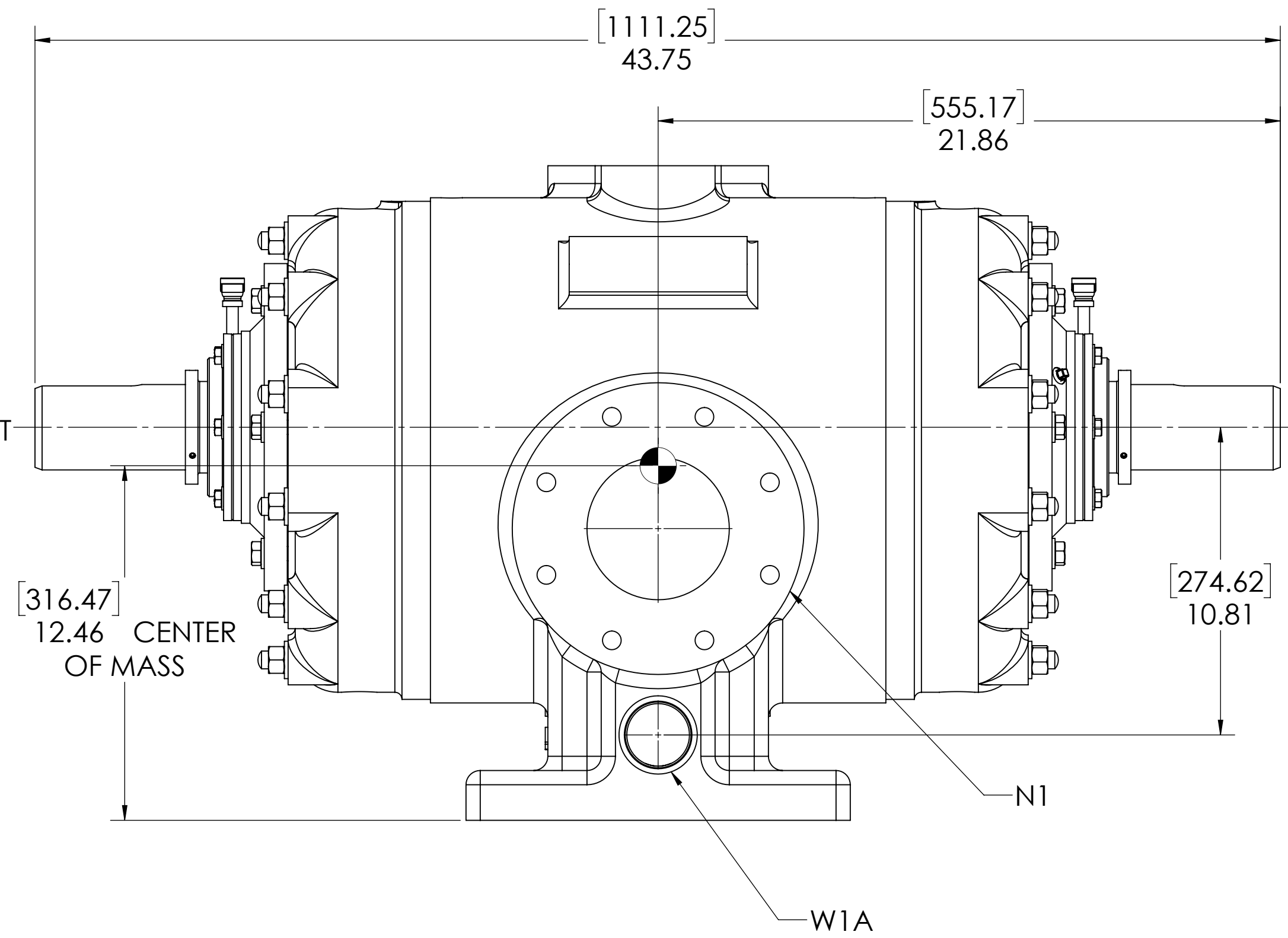
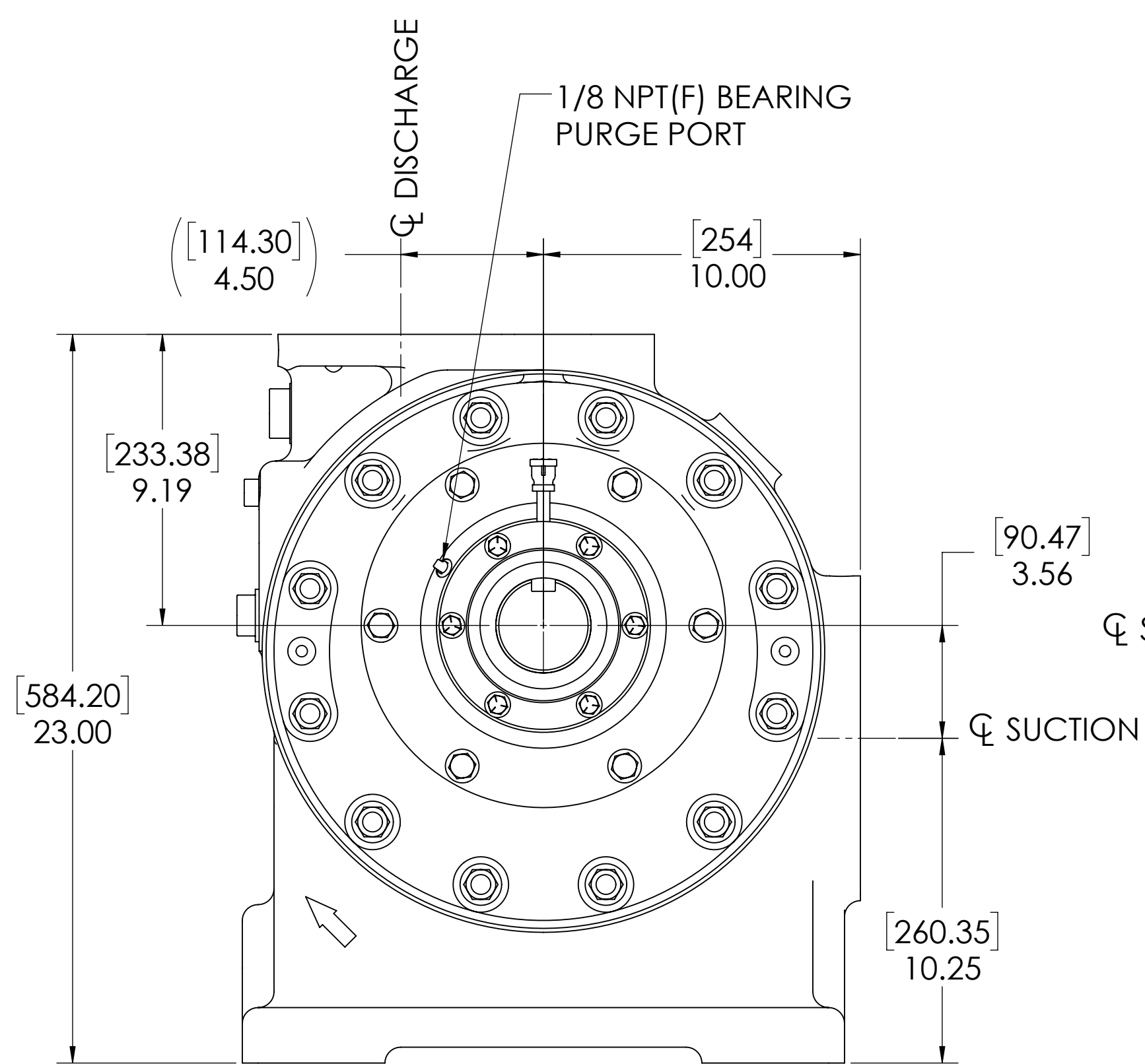
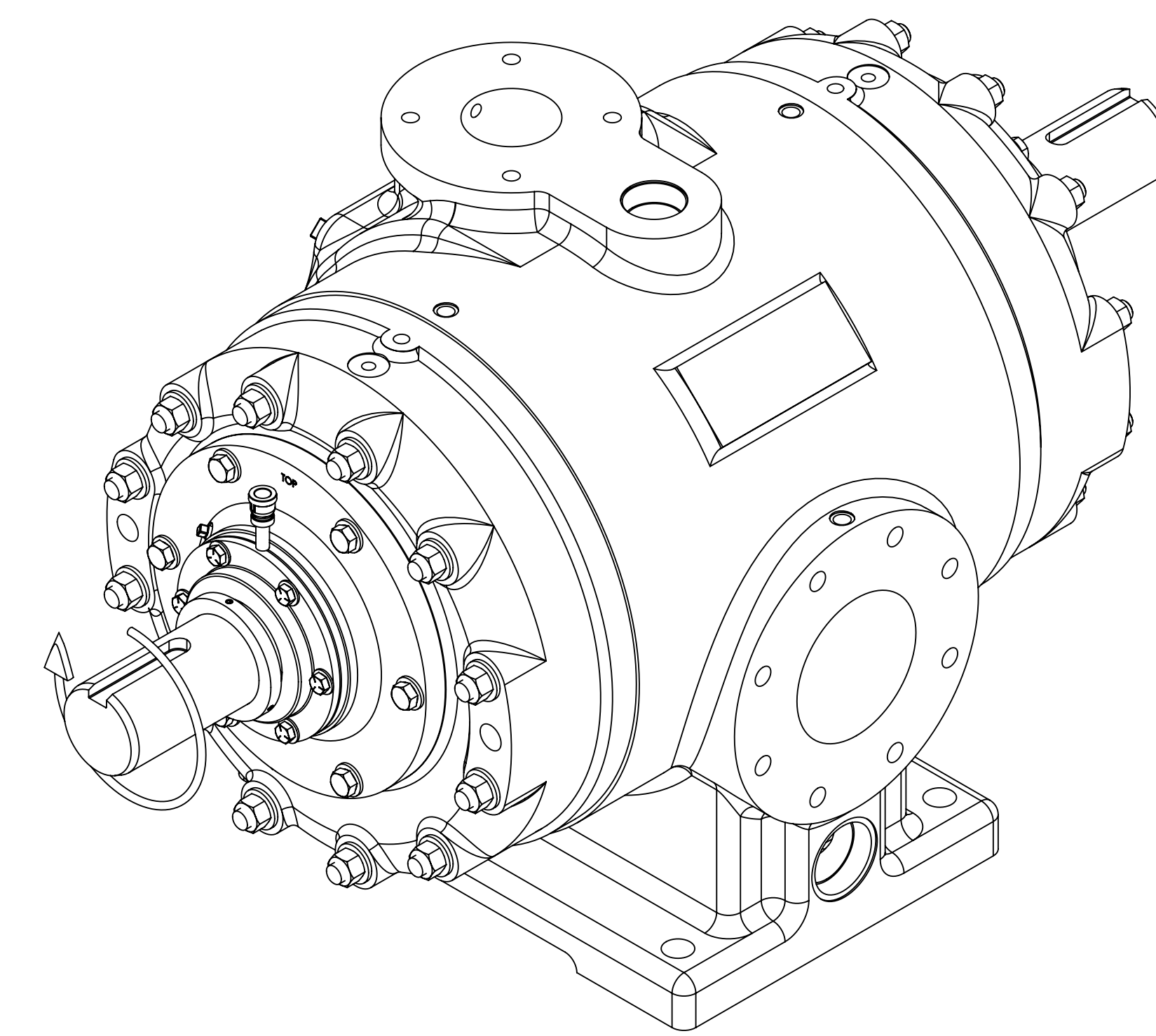
∇ ϕ 1.25 [31.75] ∇ .05
FLAT CREATED FOR MOUNTING ACCELEROMETER
CENTERED ON LIFTING HOLE

[174.75]
6.88 CLEARANCE REQUIRED
TO REMOVE CYLINDER HEAD,
SEAL ADAPTER, AND ROTOR BLADES.

[19.05^{+0.05}₀]
.750^{+0.002}_{-.000}

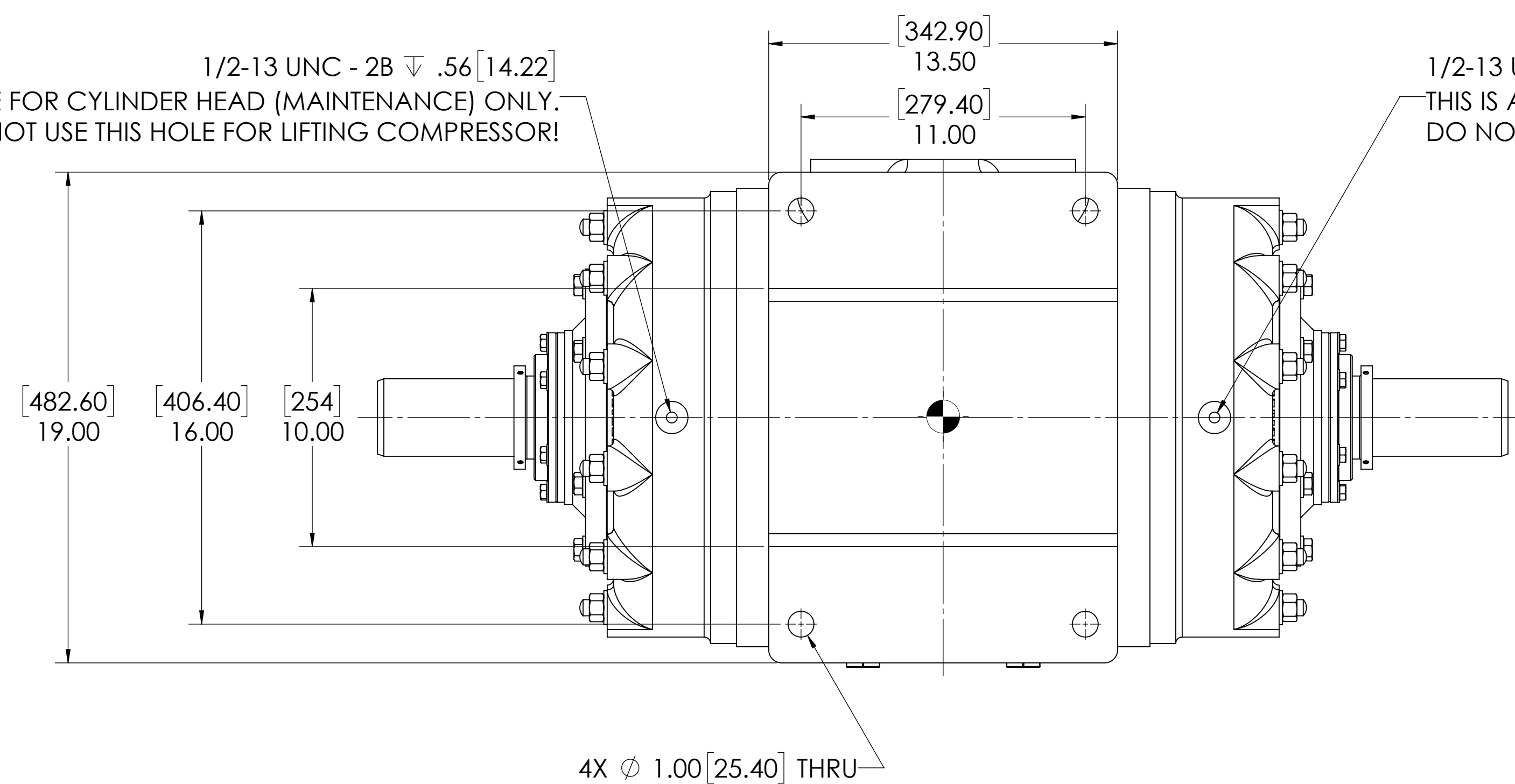


DETAIL OF ROTOR KEYWAY
(BOTH ENDS)



1/2-13 UNC - 2B ∇ .56 [14.22]
THIS IS A LIFTING HOLE FOR CYLINDER HEAD (MAINTENANCE) ONLY.
DO NOT USE THIS HOLE FOR LIFTING COMPRESSOR!

1/2-13 UNC - 2B ∇ .56 [14.22]
THIS IS A LIFTING HOLE FOR CYLINDER HEAD (MAINTENANCE) ONLY.
DO NOT USE THIS HOLE FOR LIFTING COMPRESSOR!



OIL CONNECTION POINTS SUMMARY		
(REFER TO MANUAL FOR FURTHER INFORMATION)		
DESCRIPTION	THREAD SIZE	QTY
OIL QUILL (LQX)	1/4 NPT	1
LUBE POINTS (LPX)	1/4 NPT	6

NOZZLE CONNECTIONS		BOLT HOLE SIZE
N1	5" GAS SUCTION FLANGE (ANSI CLASS 150 FLAT FACE)	8 x 3/4-10 ∇ 1.20
N2	3" GAS DISCHARGE FLANGE (ANSI CLASS 150 FLAT FACE)	4 x 5/8-11 ∇ 1.00
W1A	2 NPT(F) WATER INLET (SEE NOTE 2)	N/A
W1B	2 NPT(F) WATER INLET (SEE NOTE 2)	N/A
W2	1-1/2 NPT(F) WATER OUTLET	N/A
D1	1-1/4 NPT(F) DRAIN HOLE	N/A
D2	1-1/4 NPT(F) DRAIN HOLE	N/A

NOTES:

- CENTER OF MASS DIMENSIONS ARE APPROXIMATE
- EITHER WATER INLET MAY BE USED, DEPENDING UPON SYSTEM NEEDS
- WEIGHT IS APPROXIMATE
- DRAWING IS DUAL DIMENSIONS. DIMENSIONS WITHOUT BRACKETS ARE IN INCHES, DIMENSIONS IN [BRACKETS] ARE IN MILLIMETERS.

UNLESS OTHERWISE SPECIFIED: DRAWING IS IN INCHES UNLESS OTHERWISE SPECIFIED. ANGULAR DIMENSIONS: 1/16" AND FLANGE DIMENSIONS: 1/32" UNLESS OTHERWISE SPECIFIED. DIMENSIONS ARE IN INCHES UNLESS OTHERWISE SPECIFIED. DIMENSIONS IN [BRACKETS] ARE IN MILLIMETERS.

DATE: 8/24/2017
DRAWN: TBF
CHECKED: ISS
ENG. APPR: BJS
PROPERTY AND CONFIDENTIALITY: Ro-Flo Compressors, LLC
GENERAL ARRANGEMENT, HP11.5F
SIZE: PART NO. 16-123-618-715
SCALE: 1:4
SHEET: 1 OF 1