

1/2-13 UNC - 2B  $\nabla$  .75 [19.05]  
THIS IS A LIFTING HOLE FOR CYLINDER HEAD (MAINTENANCE) ONLY.  
DO NOT USE THIS HOLE FOR LIFTING COMPRESSOR!

$\phi$  1.25 [31.75]  $\nabla$  .04 FLAT MACHINED FOR  
MOUNTING AN ACCELEROMETER.

1/4 NPT DISCHARGE  
INSTRUMENTATION PORT

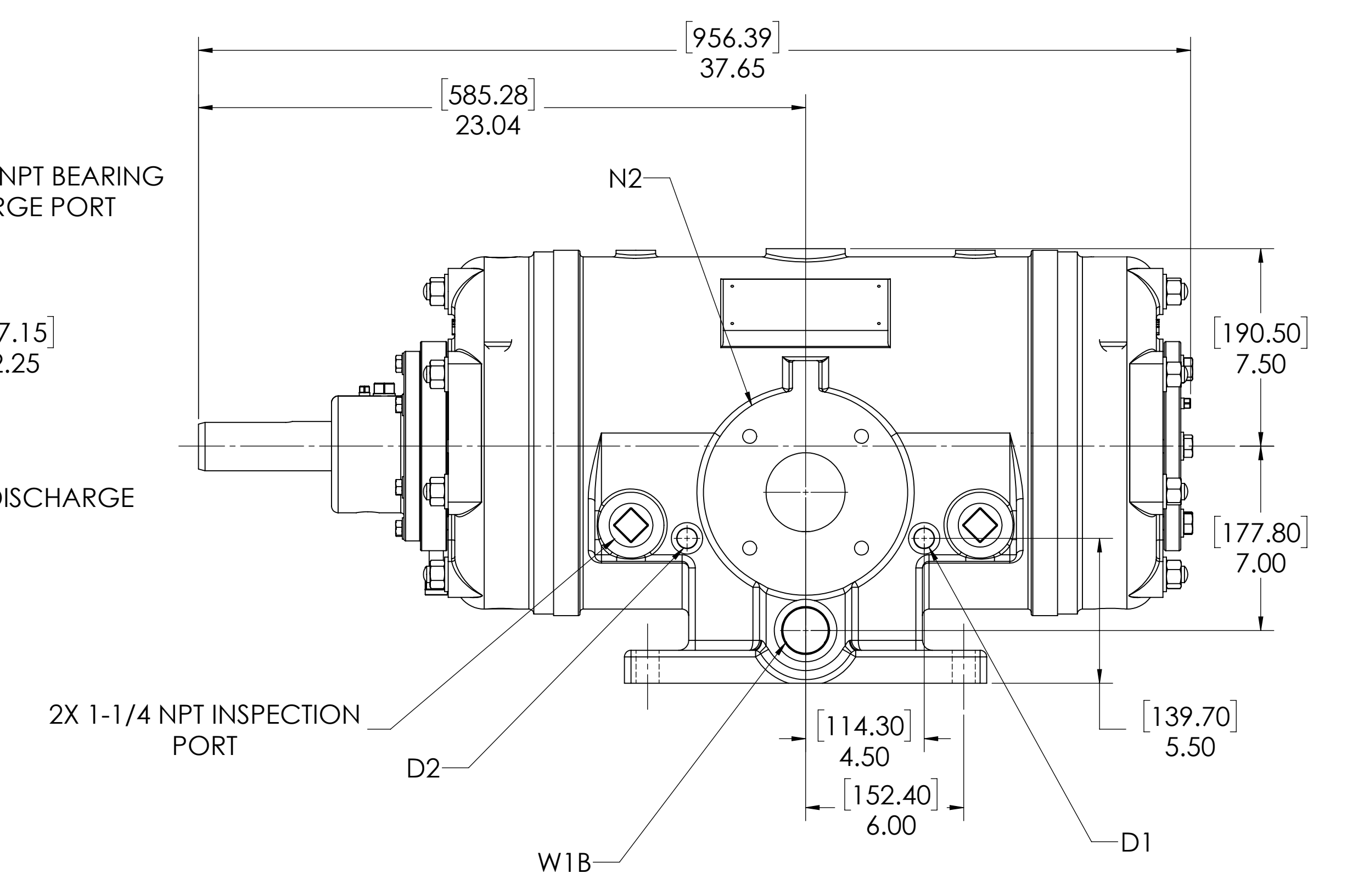
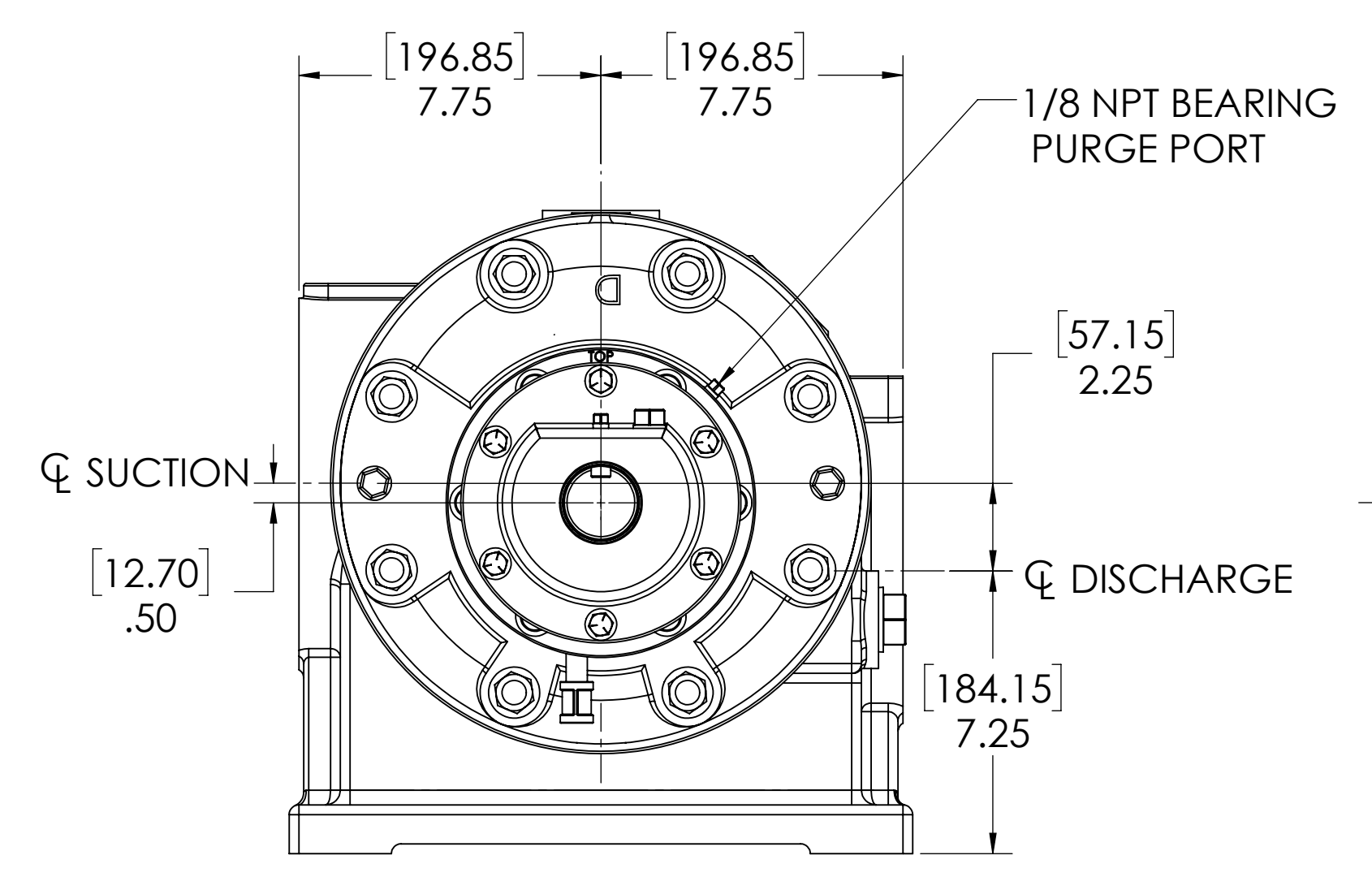
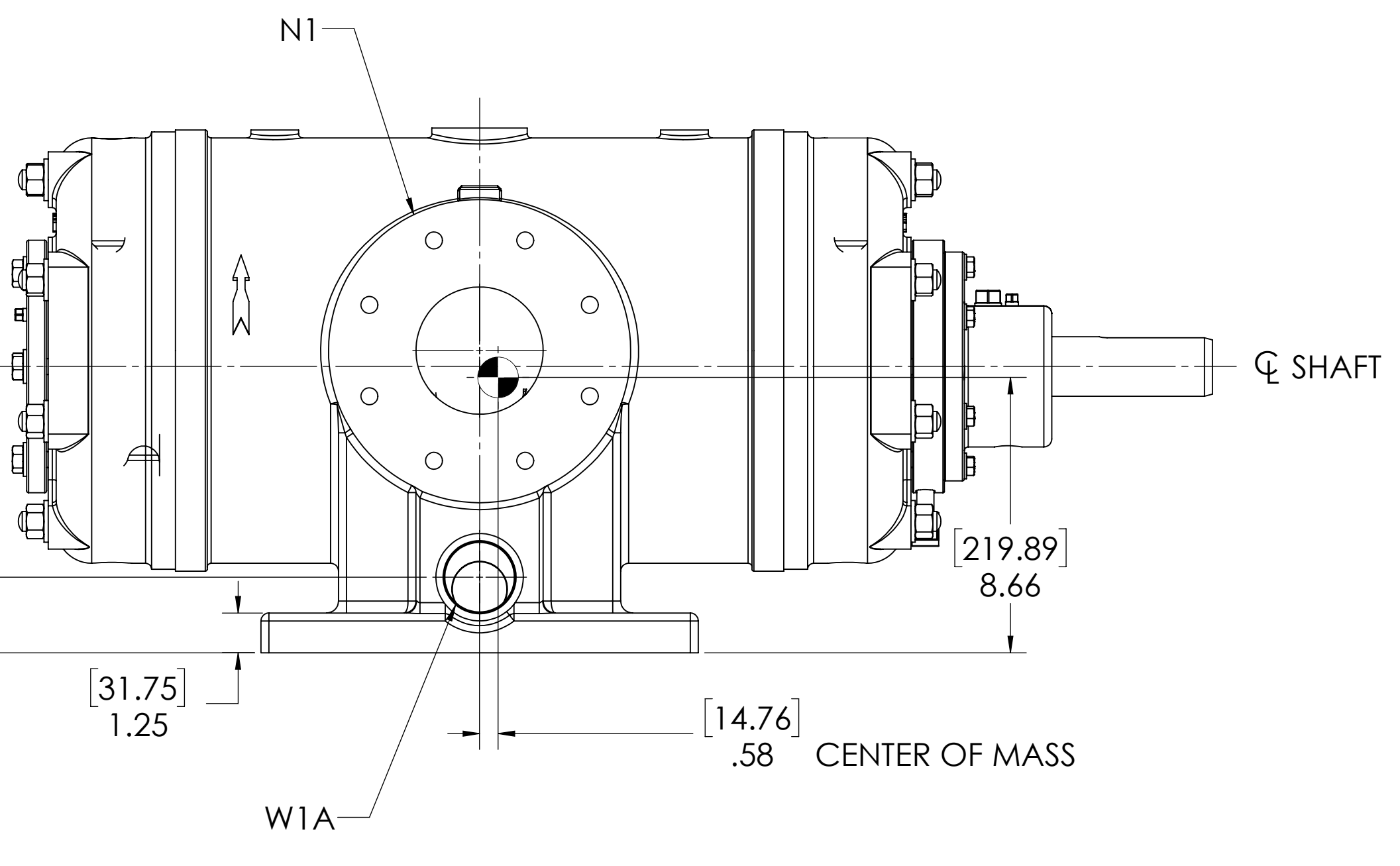
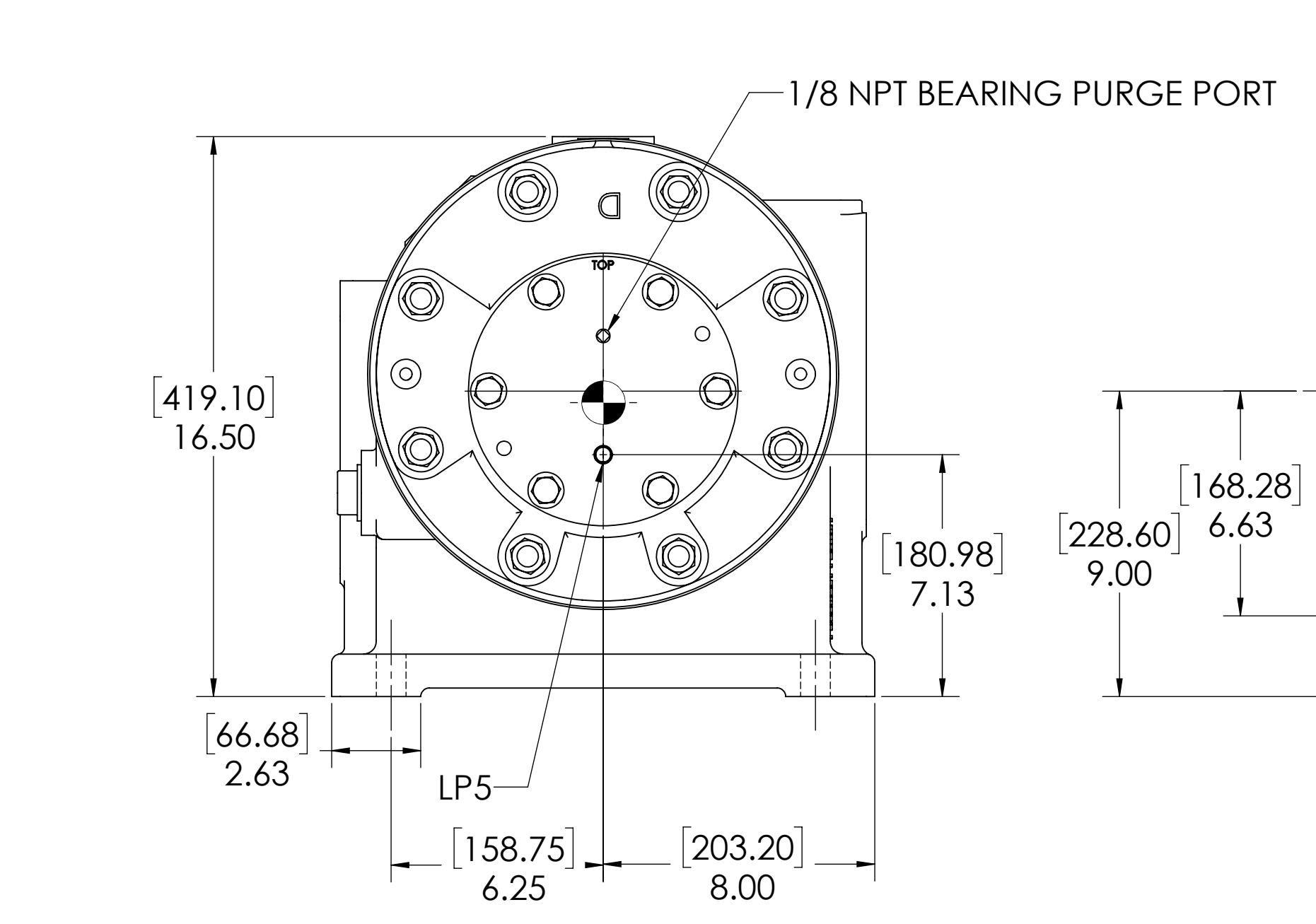
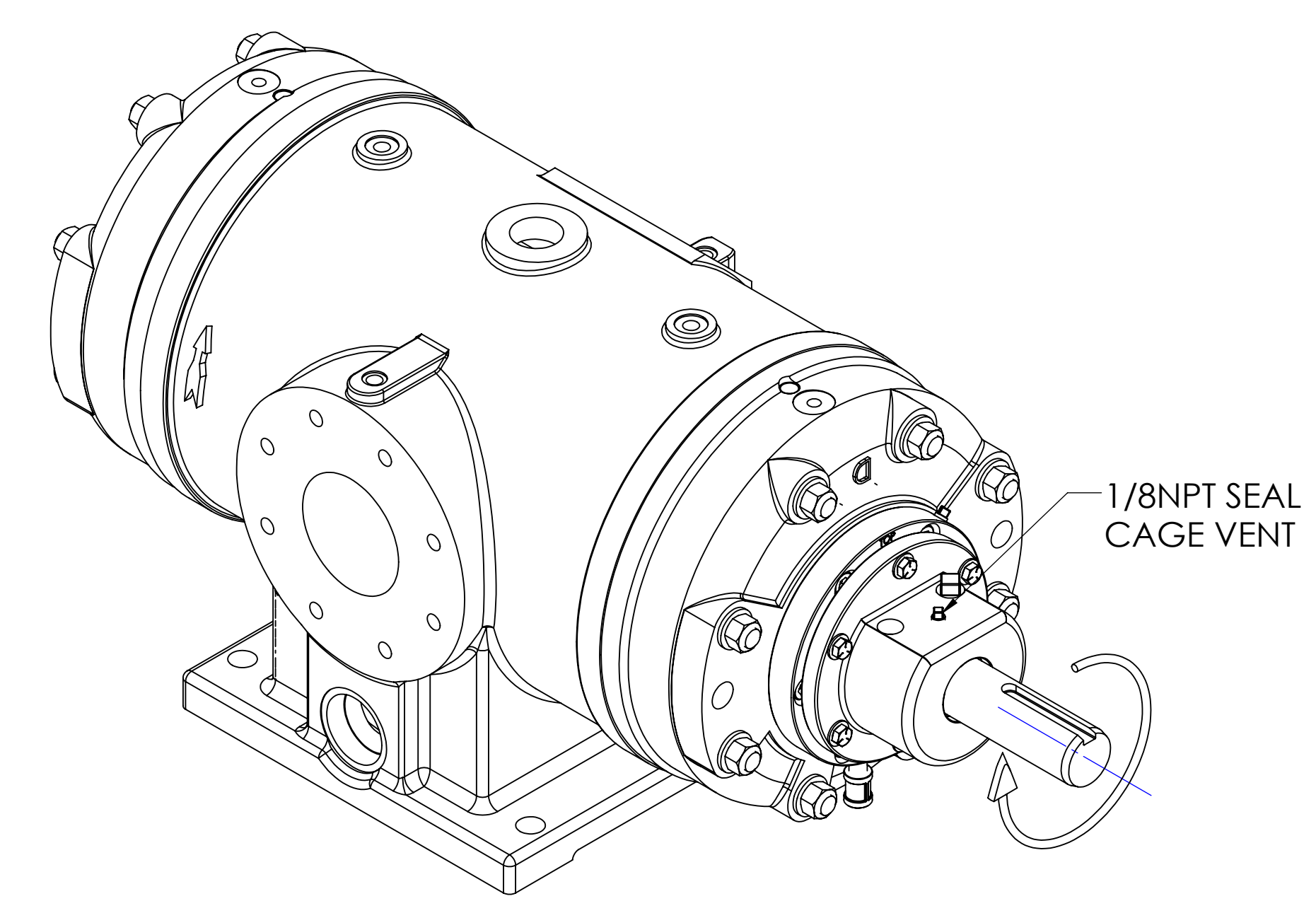
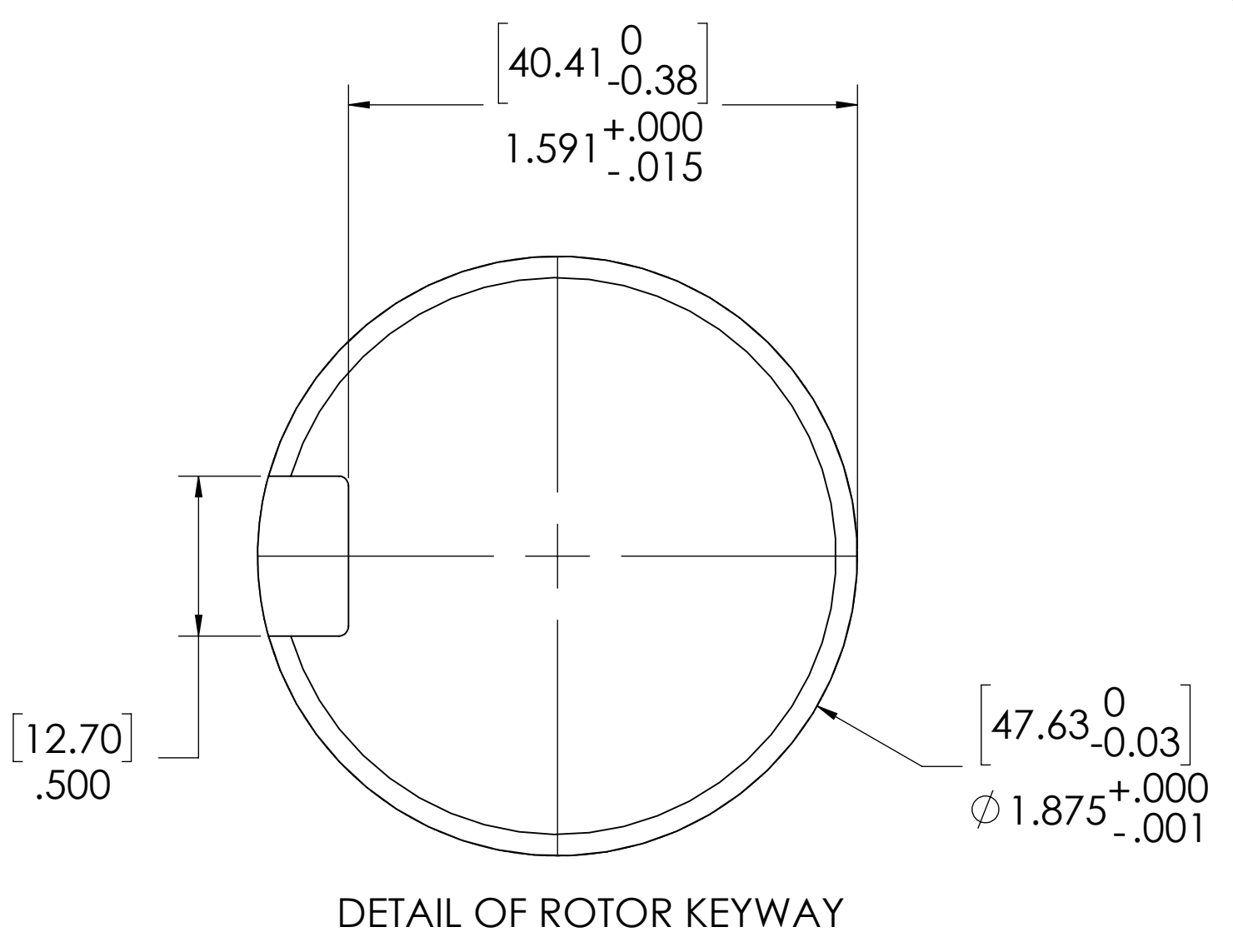
1/2-13 UNC - 2B  $\nabla$  .75 [19.05]  
THIS IS A LIFTING HOLE FOR CYLINDER HEAD (MAINTENANCE) ONLY.  
DO NOT USE THIS HOLE FOR LIFTING COMPRESSOR!

$\phi$  1.25 [31.75]  $\nabla$  .04 FLAT MACHINED FOR  
MOUNTING AN ACCELEROMETER.

[355.60]  
14.00 CLEARANCE REQUIRED  
TO REMOVE ROTOR BLADES

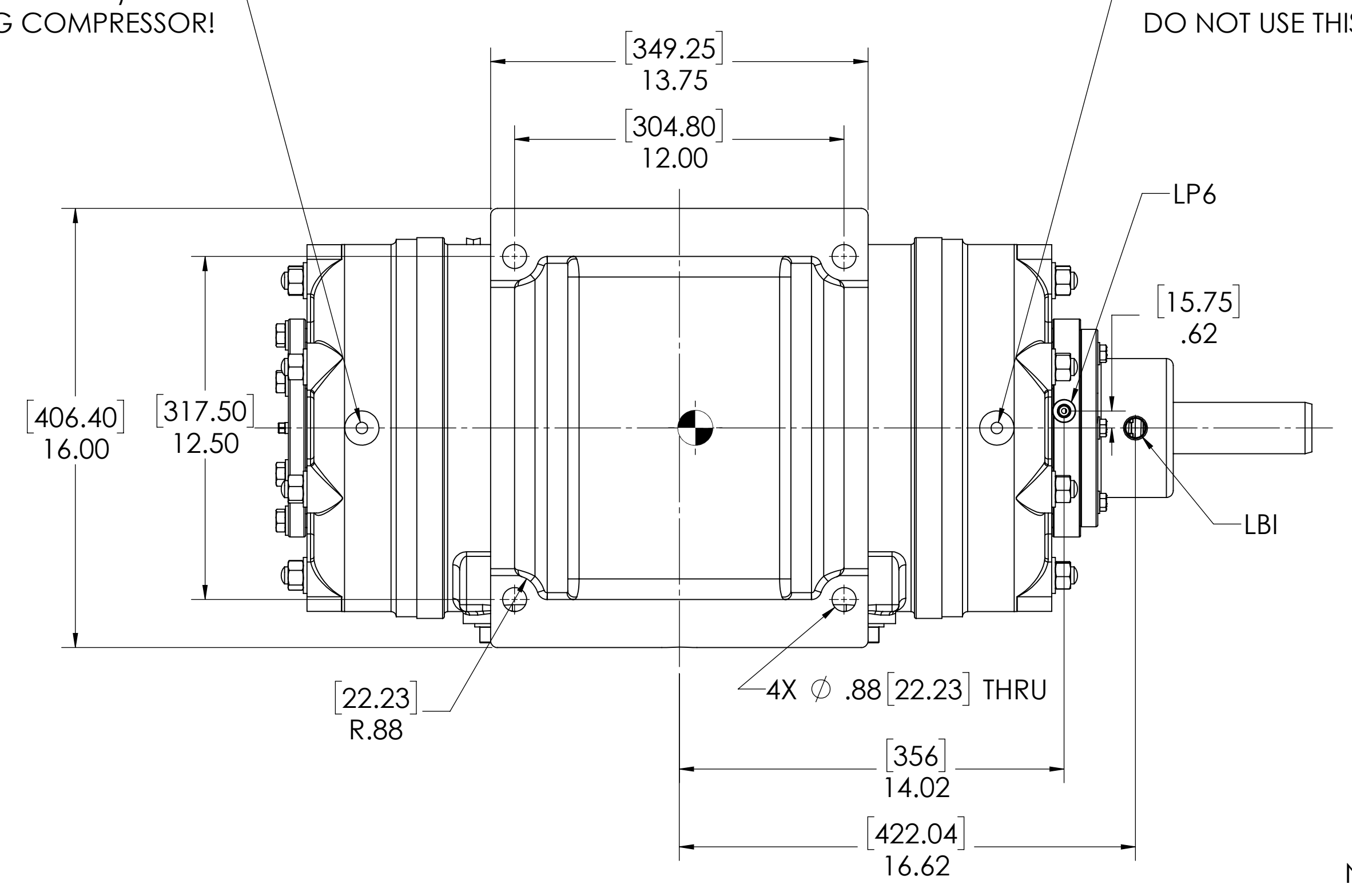
[133.35]  
5.25 CLEARANCE REQUIRED  
TO REMOVE CYLINDER HEAD  
AND END COVER

[143]  
5.63 CLEARANCE REQUIRED  
TO REMOVE CYLINDER HEAD AND  
SEAL ADAPTER



1/2-13 UNC - 2B  $\nabla$  .75 [19.05]  
THIS IS A LIFTING HOLE FOR CYLINDER HEAD (MAINTENANCE) ONLY.  
DO NOT USE THIS HOLE FOR LIFTING COMPRESSOR!

1/2-13 UNC - 2B  $\nabla$  .75 [19.05]  
THIS IS A LIFTING HOLE FOR CYLINDER HEAD (MAINTENANCE) ONLY.  
DO NOT USE THIS HOLE FOR LIFTING COMPRESSOR!



- NOTES:
- CENTER OF MASS DIMENSIONS ARE APPROXIMATE
  - EITHER WATER INLET MAY BE USED, DEPENDING UPON SYSTEM NEEDS
  - WEIGHT IS APPROXIMATE
  - THIS DRAWING IS DUAL DIMENSION. DIMENSIONS WITHOUT BRACKETS ARE IN INCHES, DIMENSIONS IN [BRACKETS] ARE IN MILLIMETERS.

SEAL LIQUID BARRIER CONNECTIONS			QTY.
LBI	SEAL LIQUID BARRIER INLET	1/2 NPT(F)	1
LBO	SEAL LIQUID BARRIER OUTLET	1/2 NPT(F)	1

LUBRICATION OIL CONNECTION		
(REFER TO MANUAL FOR FURTHER INFORMATION)		
DESCRIPTION	THREAD SIZE	QTY
LUBE QUILL(LQ)	1/4 NPT(F)	1
LUBE POINTS(LPx)	1/4 NPT(F)	6

	NOZZLE CONNECTIONS	BOLT HOLE SIZE
N1	4" GAS SUCTION FLANGE (ANSI CLASS 150 FLAT FACE)	8 x 5/8-11 $\nabla$ 1.00
N2	3" GAS DISCHARGE FLANGE (ANSI CLASS 150 FLAT FACE)	4 x 5/8-11 $\nabla$ 1.00
W1A	2 NPT(F) WATER INLET (SEE NOTE 2)	N/A
W1B	1-1/2 NPT(F) WATER INLET (SEE NOTE 2)	N/A
W2	1-1/4 NPT(F) WATER OUTLET	N/A
D1	1/2 NPT (F) DRAIN HOLE	N/A
D2	1/2 NPT (F) DRAIN HOLE	N/A

UNLESS OTHERWISE SPECIFIED: DIMENSIONS ARE IN INCHES, TOLERANCES: ONE PLACE DECIMAL, 1.500 TWO PLACE DECIMAL, 1.000 THREE PLACE DECIMAL, 0.010

INTERFERE GEOMETRIC TOLERANCING PER: ASME Y14.5

PROPRIETARY AND CONFIDENTIAL

Ro-Flo Compressors, LLC

GENERAL ARRANGEMENT, SDBD, CW, DBS

16-123-634-100 01

SCALE: 1:4

800 LBS

SHEET 1 OF 1