

1/2-13 UNC - 2B  $\nabla$  .67 [17.02]  
THIS IS A LIFTING HOLE FOR CYLINDER HEAD (MAINTENANCE) ONLY.  
DO NOT USE THIS HOLE FOR LIFTING COMPRESSOR!

$\phi$  1.25 [31.75]  $\nabla$  .04 FLAT MACHINED FOR  
MOUNTING AN ACCELEROMETER.

1/4 NPT DISCHARGE  
INSTRUMENTATION PORT

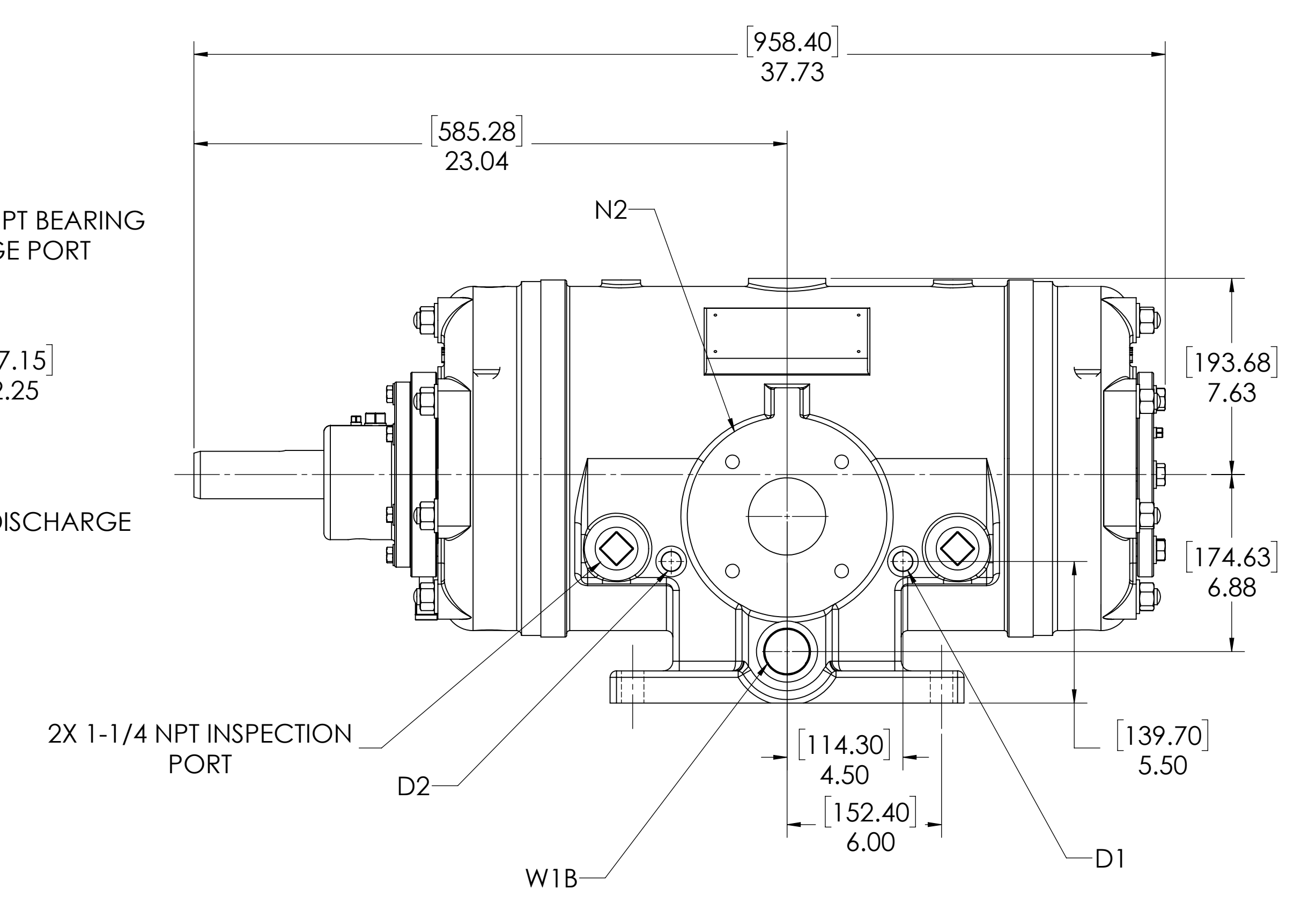
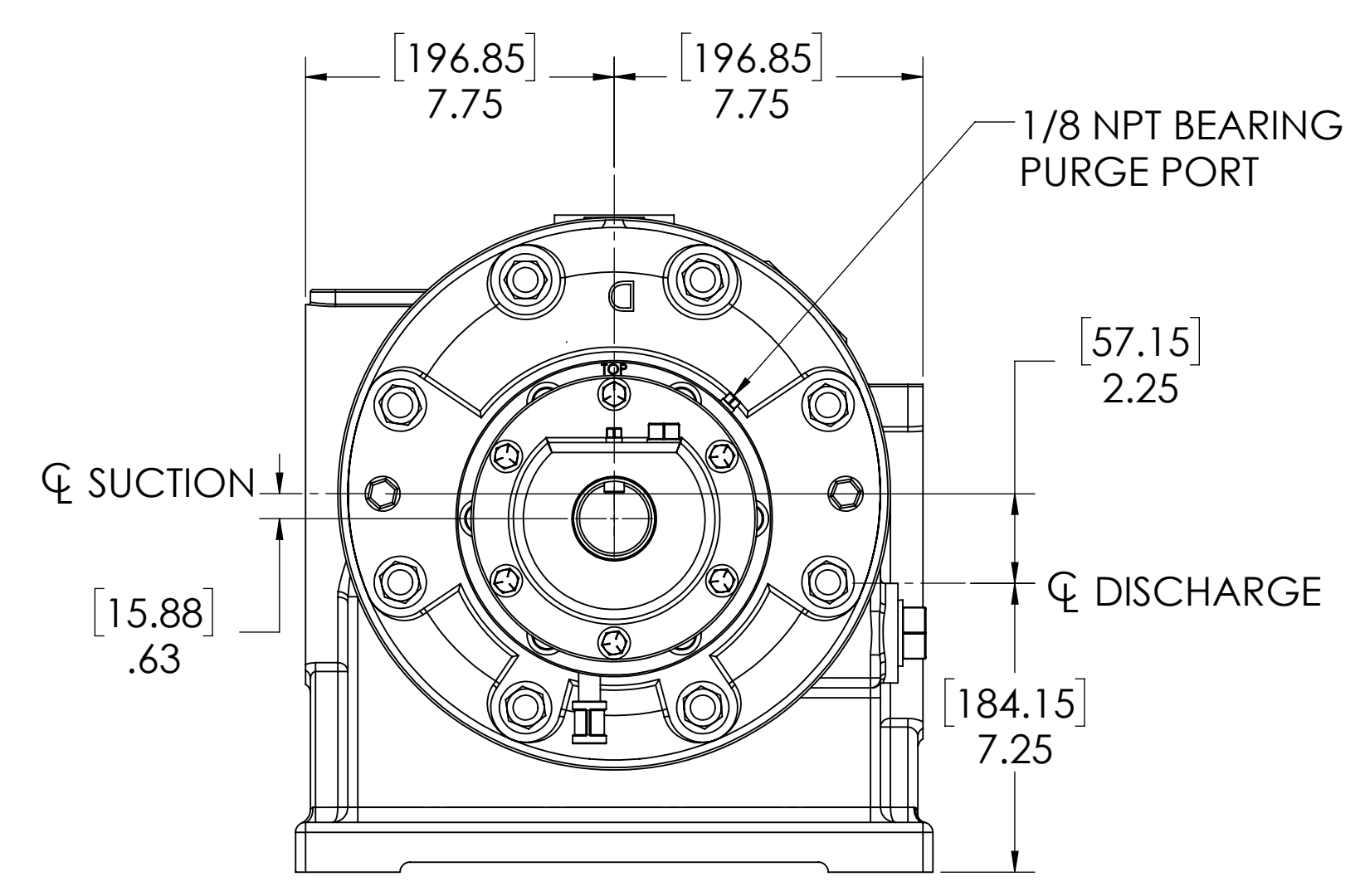
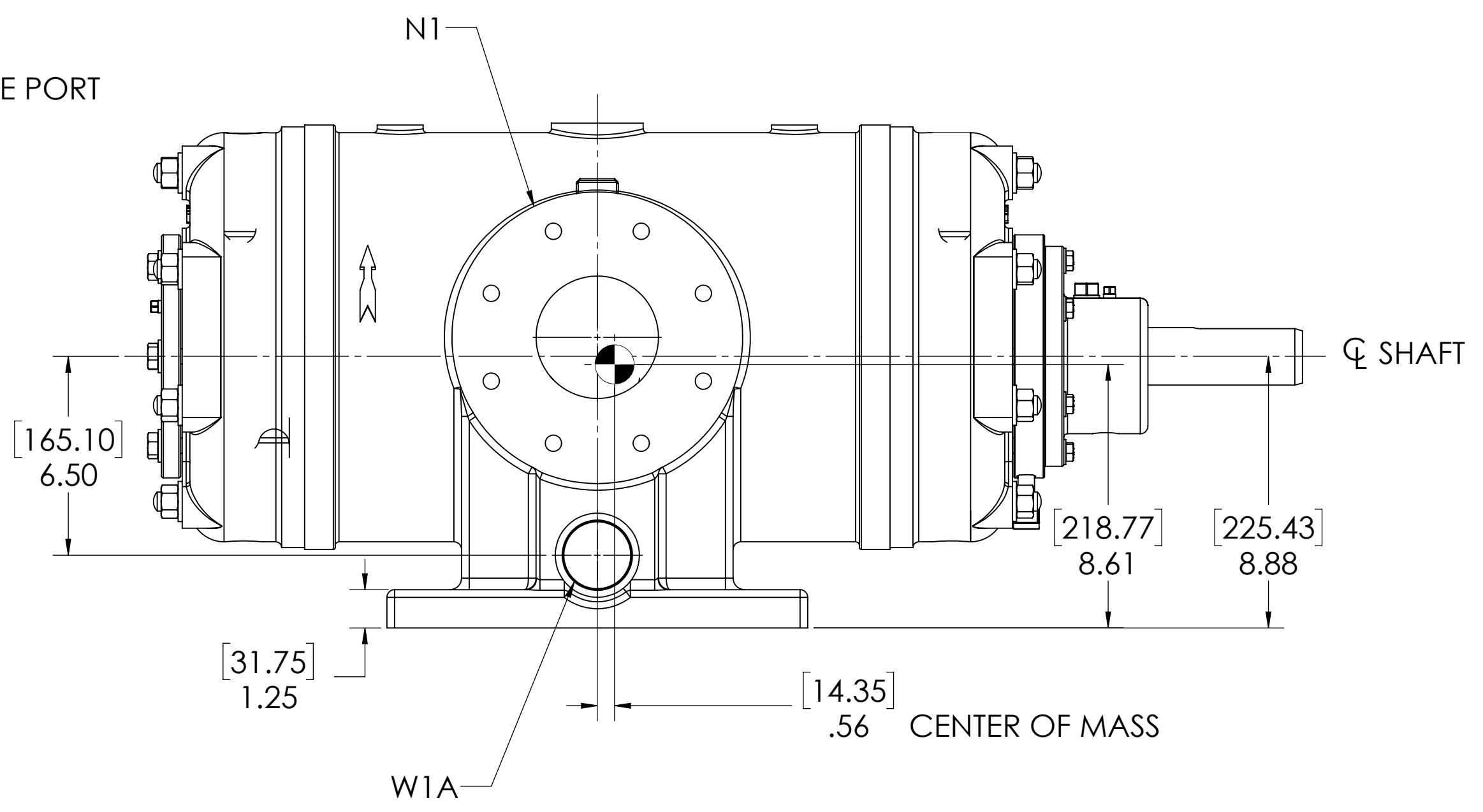
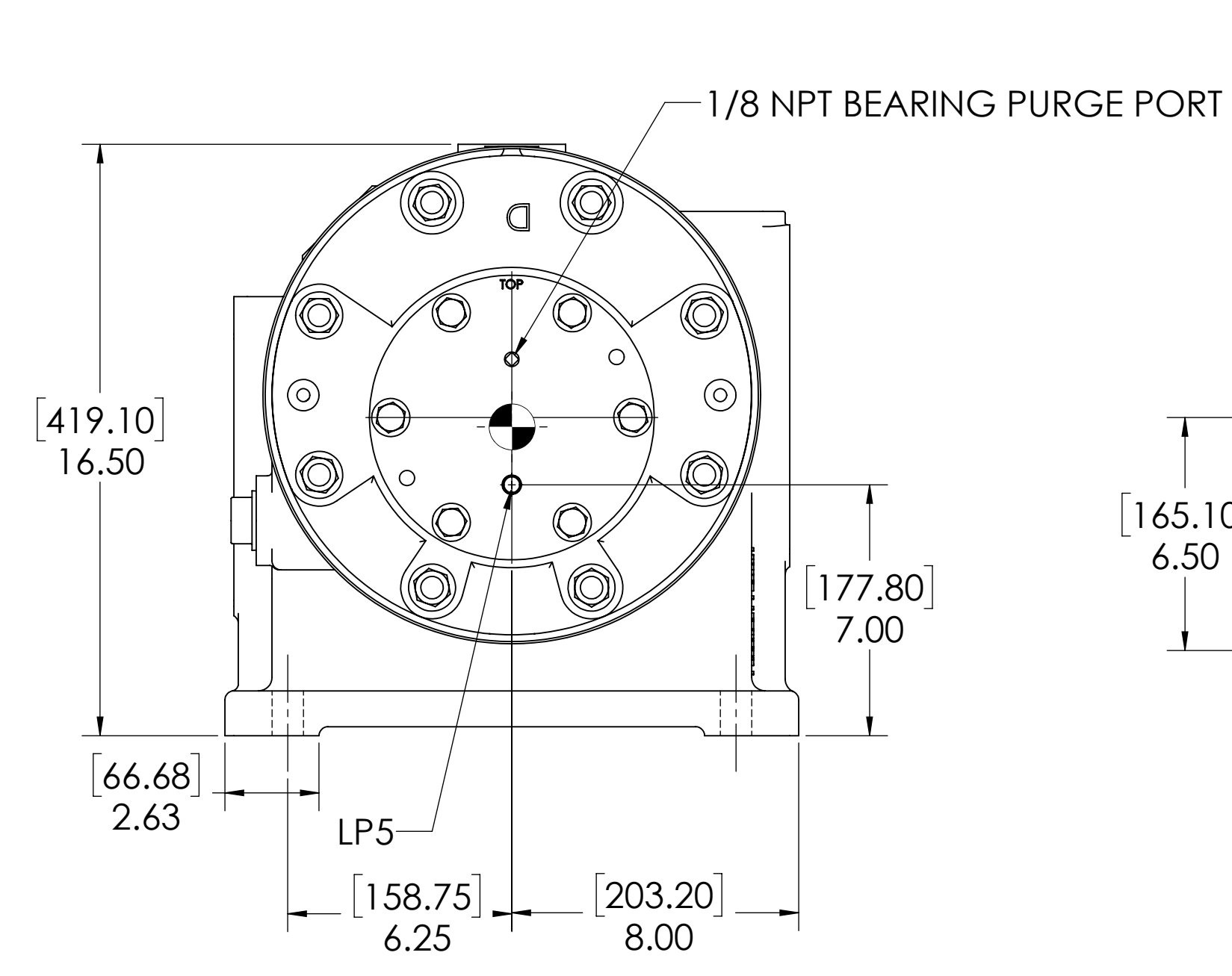
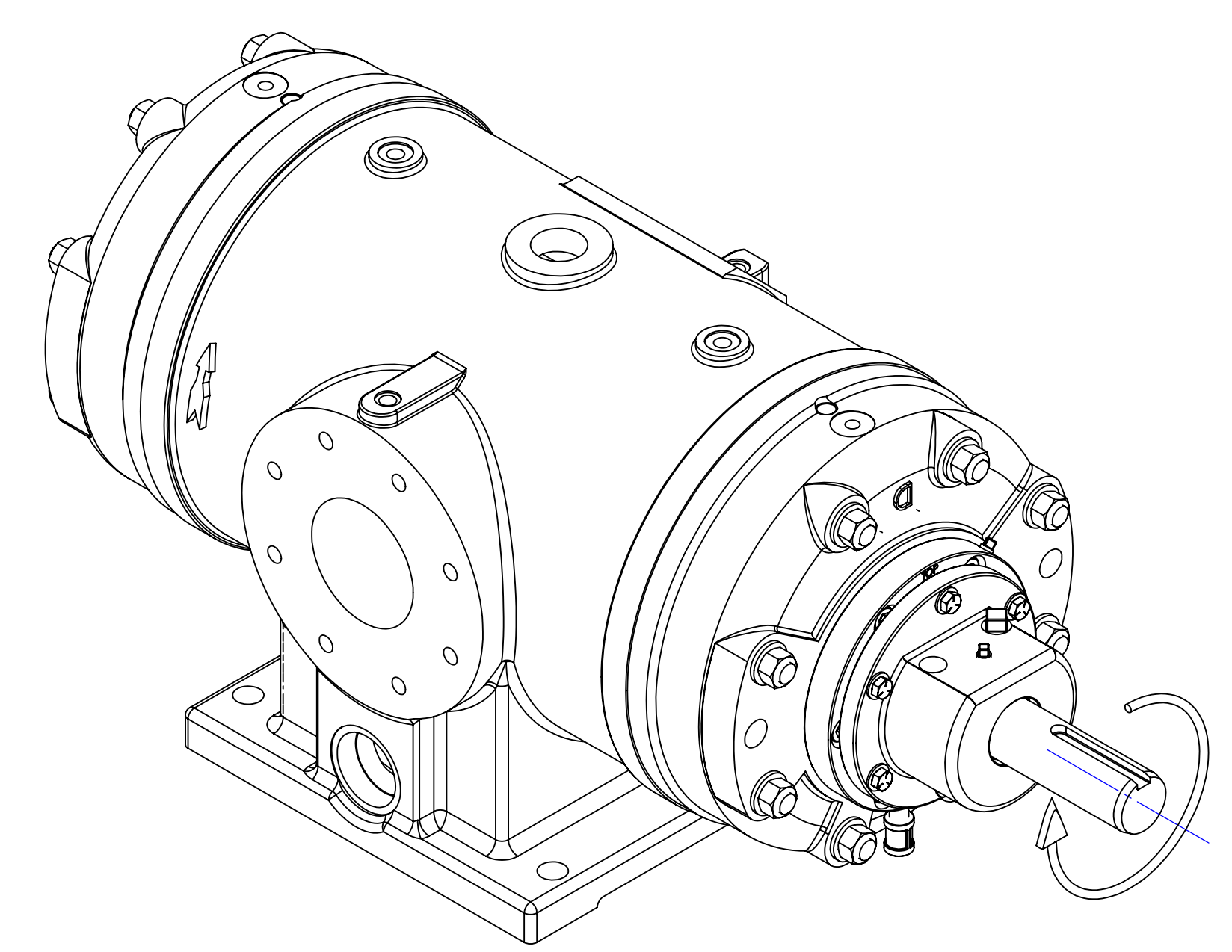
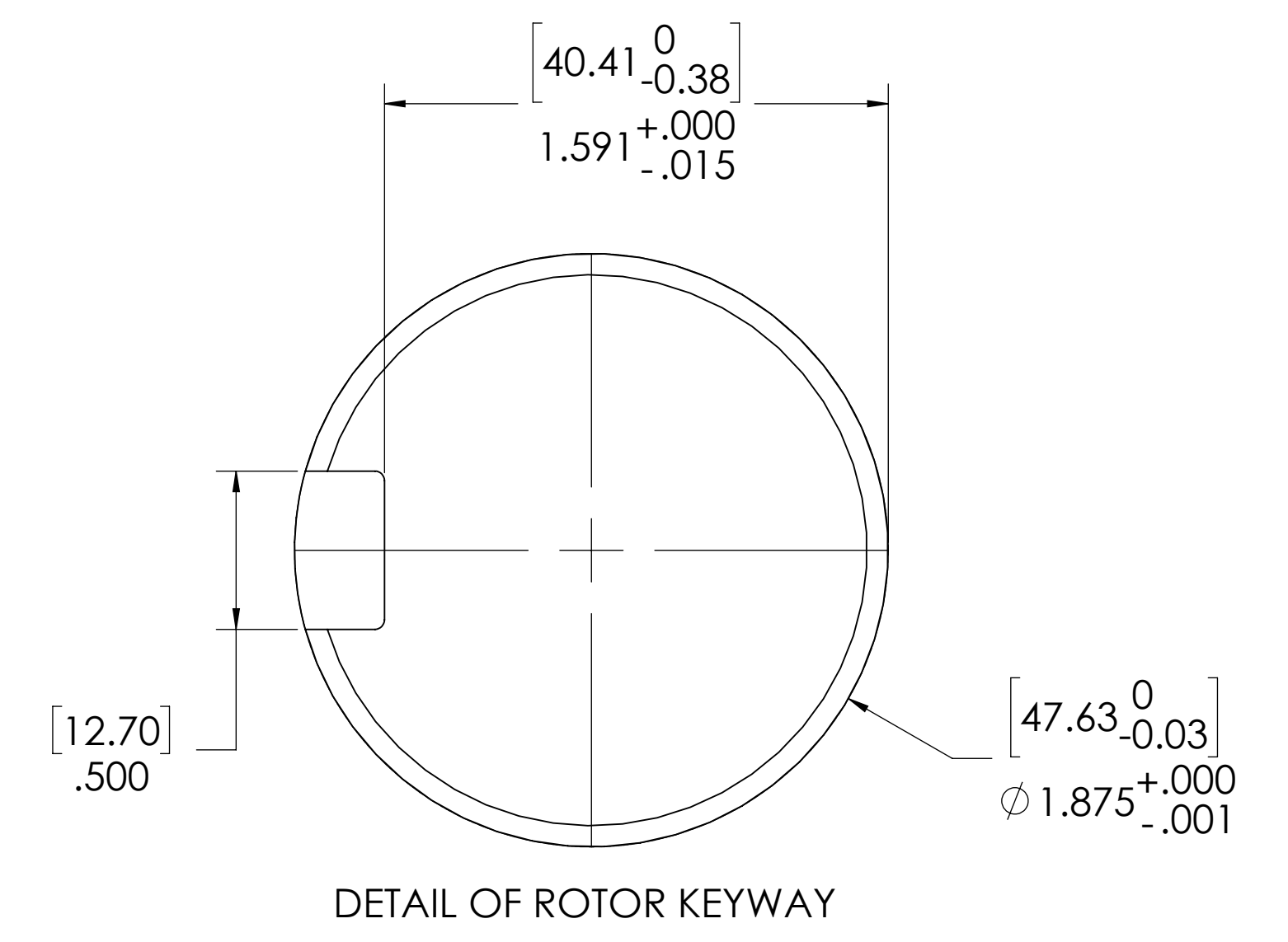
1/2-13 UNC - 2B  $\nabla$  .67 [17.02]  
THIS IS A LIFTING HOLE FOR CYLINDER HEAD (MAINTENANCE) ONLY.  
DO NOT USE THIS HOLE FOR LIFTING COMPRESSOR!

$\phi$  1.25 [31.75]  $\nabla$  .04 FLAT MACHINED FOR  
MOUNTING AN ACCELEROMETER.

[355.60]  
14.00 CLEARANCE REQUIRED  
TO REMOVE ROTOR BLADES

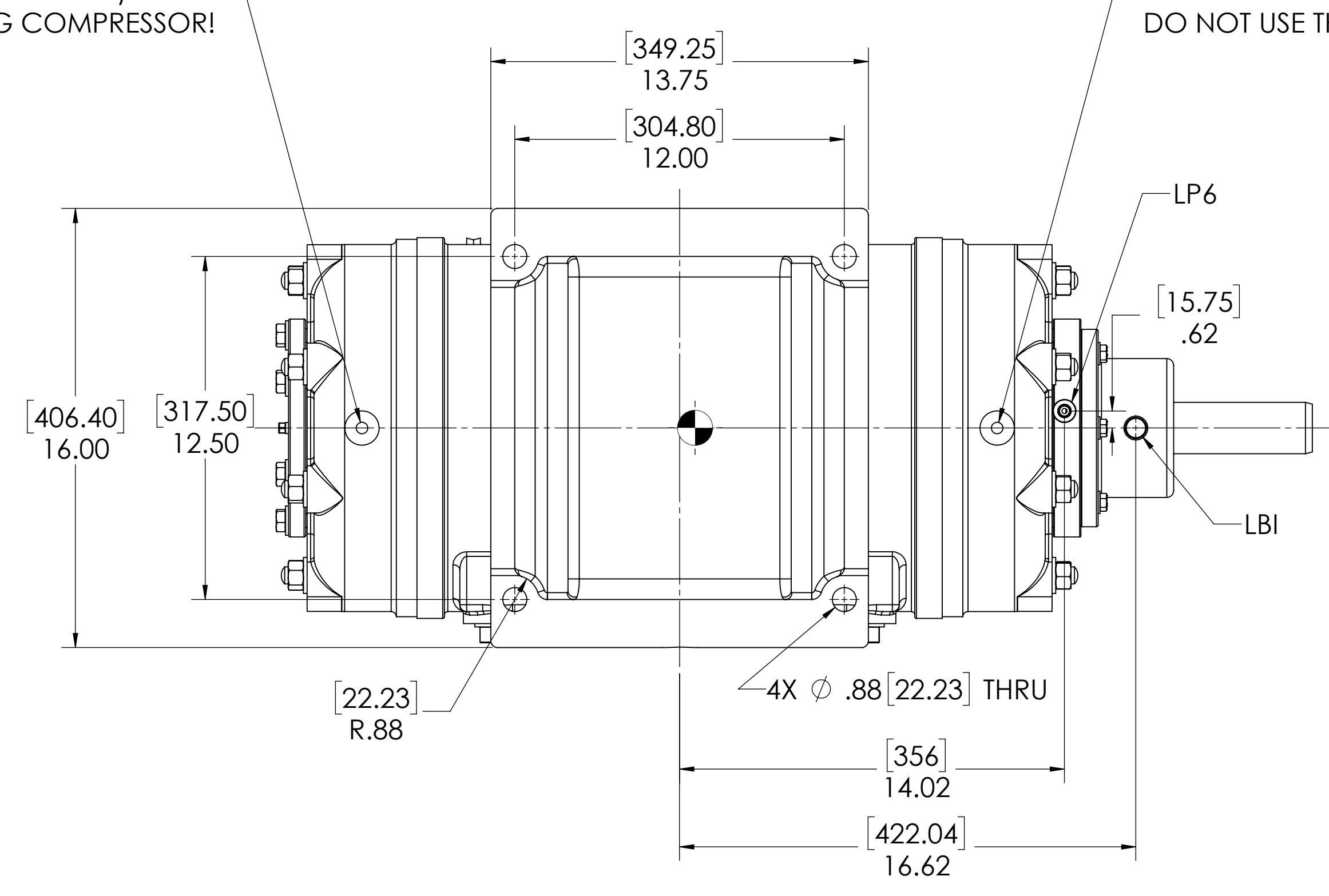
[133.35]  
5.25 CLEARANCE REQUIRED  
TO REMOVE CYLINDER HEAD  
AND END COVER

[143]  
5.63 CLEARANCE REQUIRED  
TO REMOVE CYLINDER HEAD AND  
SEAL ADAPTER



1/2-13 UNC - 2B  $\nabla$  .67 [17.02]  
THIS IS A LIFTING HOLE FOR CYLINDER HEAD (MAINTENANCE) ONLY.  
DO NOT USE THIS HOLE FOR LIFTING COMPRESSOR!

1/2-13 UNC - 2B  $\nabla$  .67 [17.02]  
THIS IS A LIFTING HOLE FOR CYLINDER HEAD (MAINTENANCE) ONLY.  
DO NOT USE THIS HOLE FOR LIFTING COMPRESSOR!



- NOTES:
- CENTER OF MASS DIMENSIONS ARE APPROXIMATE
  - EITHER WATER INLET MAY BE USED, DEPENDING UPON SYSTEM NEEDS
  - WEIGHT IS APPROXIMATE
  - THIS DRAWING IS DUAL DIMENSION. DIMENSIONS WITHOUT BRACKETS ARE IN INCHES, DIMENSIONS IN [BRACKETS] ARE IN MILLIMETERS.

SEAL LIQUID BARRIER CONNECTIONS			QTY.
LBI	SEAL LIQUID BARRIER INLET	1/2 NPT(F)	1
LBO	SEAL LIQUID BARRIER OUTLET	1/2 NPT(F)	1

NOZZLE CONNECTIONS		BOLT HOLE SIZE
N1	4" GAS SUCTION FLANGE (ANSI CLASS 150 FLAT FACE)	8 x 5/8-11 $\nabla$ 1.00
N2	3" GAS DISCHARGE FLANGE (ANSI CLASS 150 FLAT FACE)	4 x 5/8-11 $\nabla$ 1.00
W1A	2 NPT(F) WATER INLET (SEE NOTE 2)	N/A
W1B	1-1/2 NPT(F) WATER INLET (SEE NOTE 2)	N/A
W2	1-1/4 NPT(F) WATER OUTLET	N/A
D1	1/2 NPT (F) DRAIN HOLE	N/A
D2	1/2 NPT (F) DRAIN HOLE	N/A

LUBRICATION OIL CONNECTION		
(REFER TO MANUAL FOR FURTHER INFORMATION)		
DESCRIPTION	THREAD SIZE	QTY
LUBE QUILL(LQ)	1/4 NPT(F)	1
LUBE POINTS(LPX)	1/4 NPT(F)	6

UNLESS OTHERWISE SPECIFIED: DIMENSIONS ARE IN INCHES, TOLERANCES: ANGULAR: MACH 3 DEG, OTHER PLACES DECIMAL, 1 THRU 3RD PLACE DECIMAL, 4 THRU 5TH PLACE DECIMAL, 6 THRU 9TH PLACE DECIMAL, 10 THRU 12TH PLACE DECIMAL, 13 THRU 15TH PLACE DECIMAL, 16 THRU 18TH PLACE DECIMAL, 19 THRU 22ND PLACE DECIMAL, 23 THRU 25TH PLACE DECIMAL, 26 THRU 28TH PLACE DECIMAL, 29 THRU 32ND PLACE DECIMAL, 33 THRU 35TH PLACE DECIMAL, 36 THRU 38TH PLACE DECIMAL, 39 THRU 42ND PLACE DECIMAL, 43 THRU 45TH PLACE DECIMAL, 46 THRU 48TH PLACE DECIMAL, 49 THRU 52ND PLACE DECIMAL, 53 THRU 55TH PLACE DECIMAL, 56 THRU 58TH PLACE DECIMAL, 59 THRU 62ND PLACE DECIMAL, 63 THRU 65TH PLACE DECIMAL, 66 THRU 68TH PLACE DECIMAL, 69 THRU 72ND PLACE DECIMAL, 73 THRU 75TH PLACE DECIMAL, 76 THRU 78TH PLACE DECIMAL, 79 THRU 82ND PLACE DECIMAL, 83 THRU 85TH PLACE DECIMAL, 86 THRU 88TH PLACE DECIMAL, 89 THRU 92ND PLACE DECIMAL, 93 THRU 95TH PLACE DECIMAL, 96 THRU 98TH PLACE DECIMAL, 99 THRU 100TH PLACE DECIMAL.

PROPERTY AND CONFIDENTIALITY: THE INFORMATION CONTAINED IN THIS DRAWING IS THE SOLE PROPERTY OF RO-FLO COMPRESSORS, LLC. ANY REPRODUCTION IN PART OR AS A WHOLE WITHOUT THE WRITTEN PERMISSION OF RO-FLO COMPRESSORS, LLC IS PROHIBITED.

Ro-Flo COMPRESSORS  
GENERAL ARRANGEMENT, SDBDE, CW, DBS  
E 16-123-634-101 00  
SCALE: 1:4 800 LBS. SHEET 1 OF 1