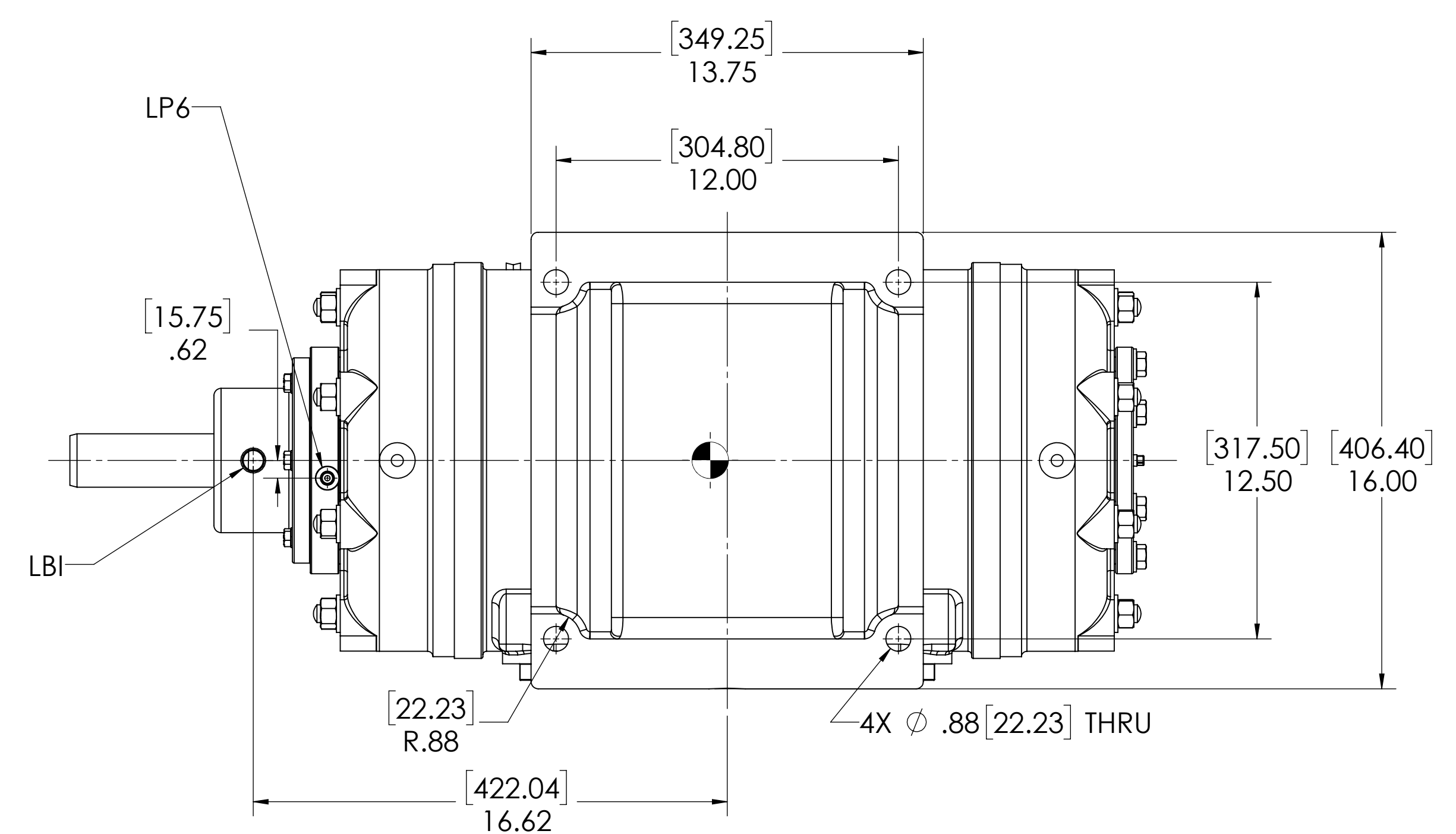
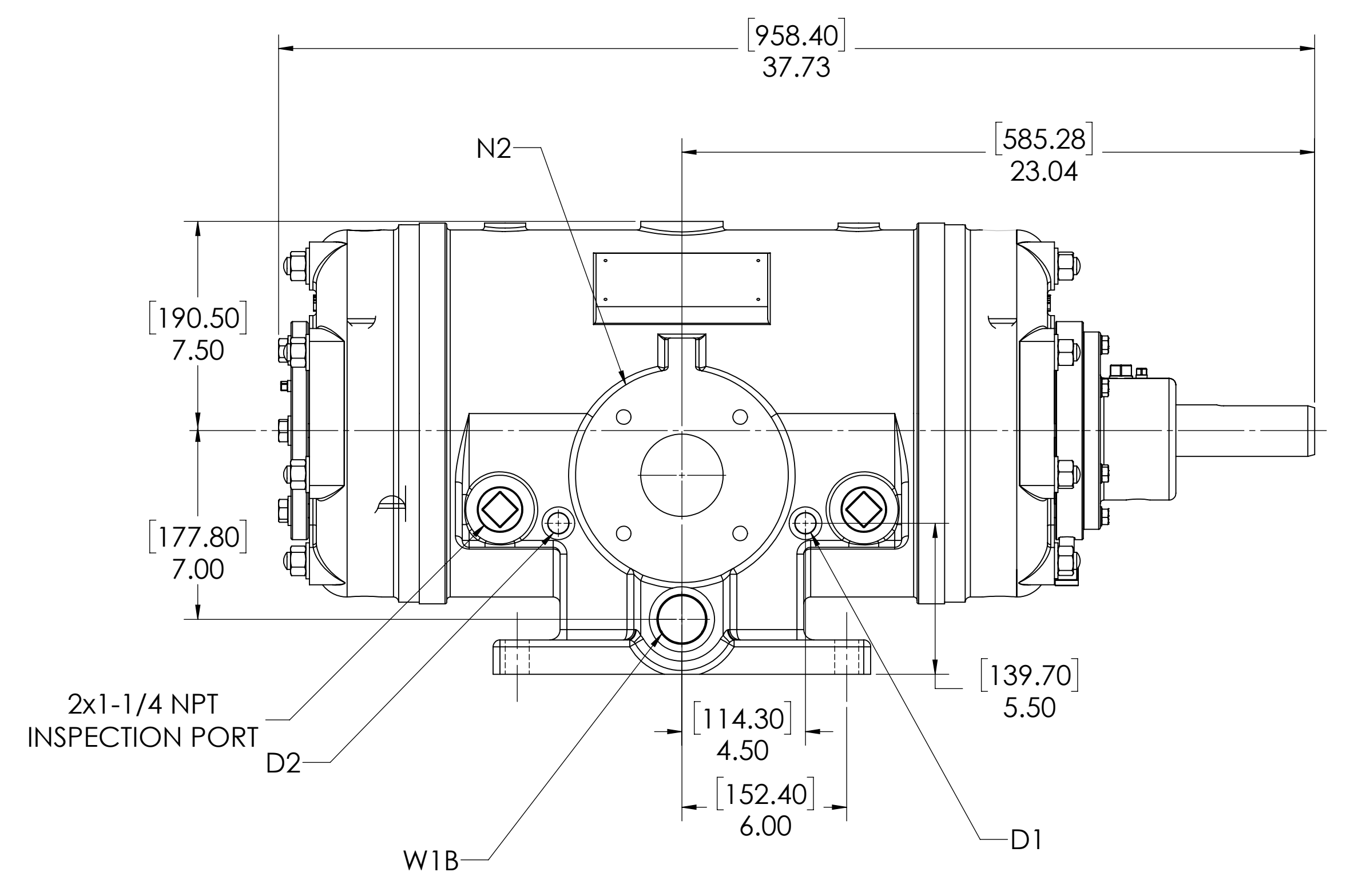
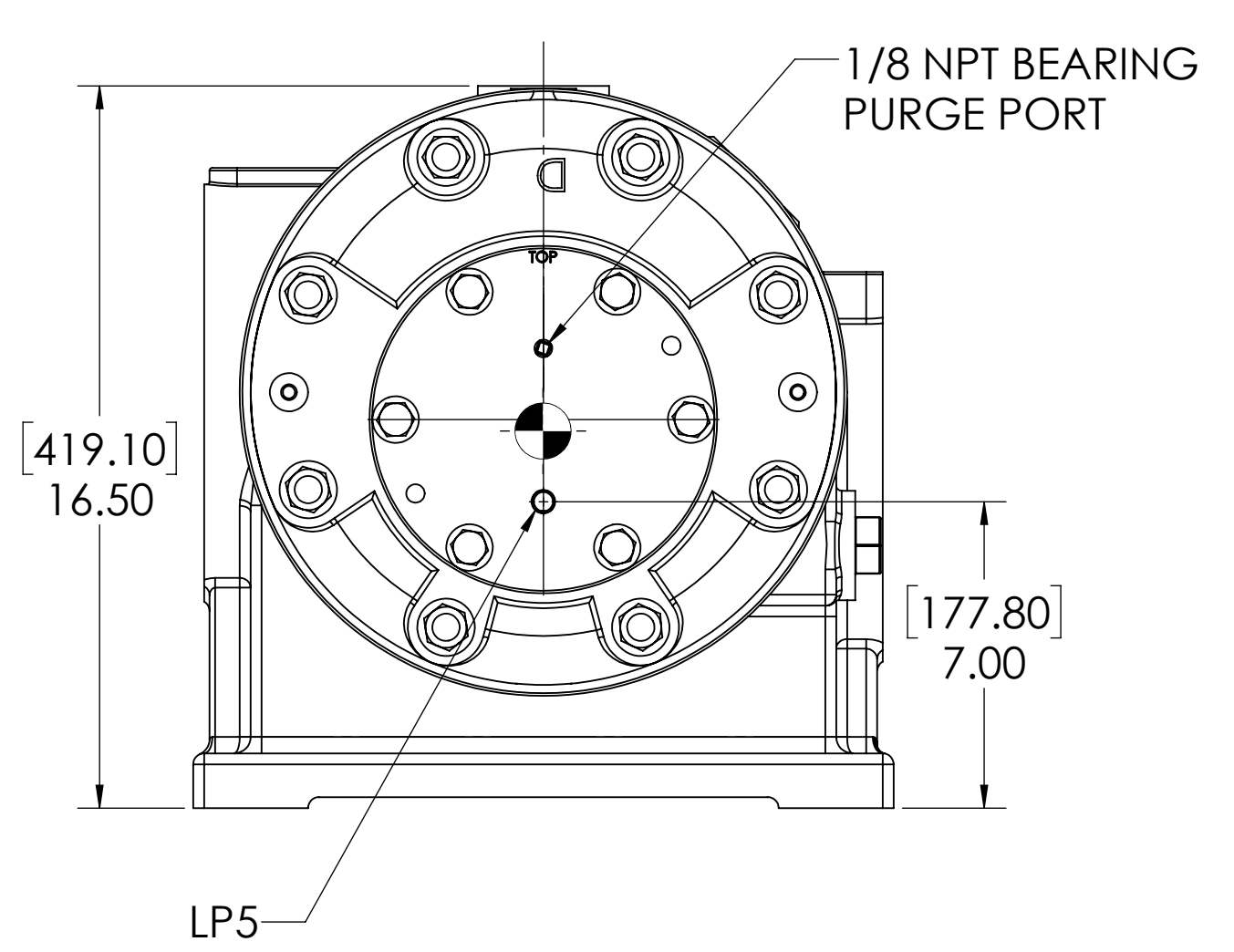
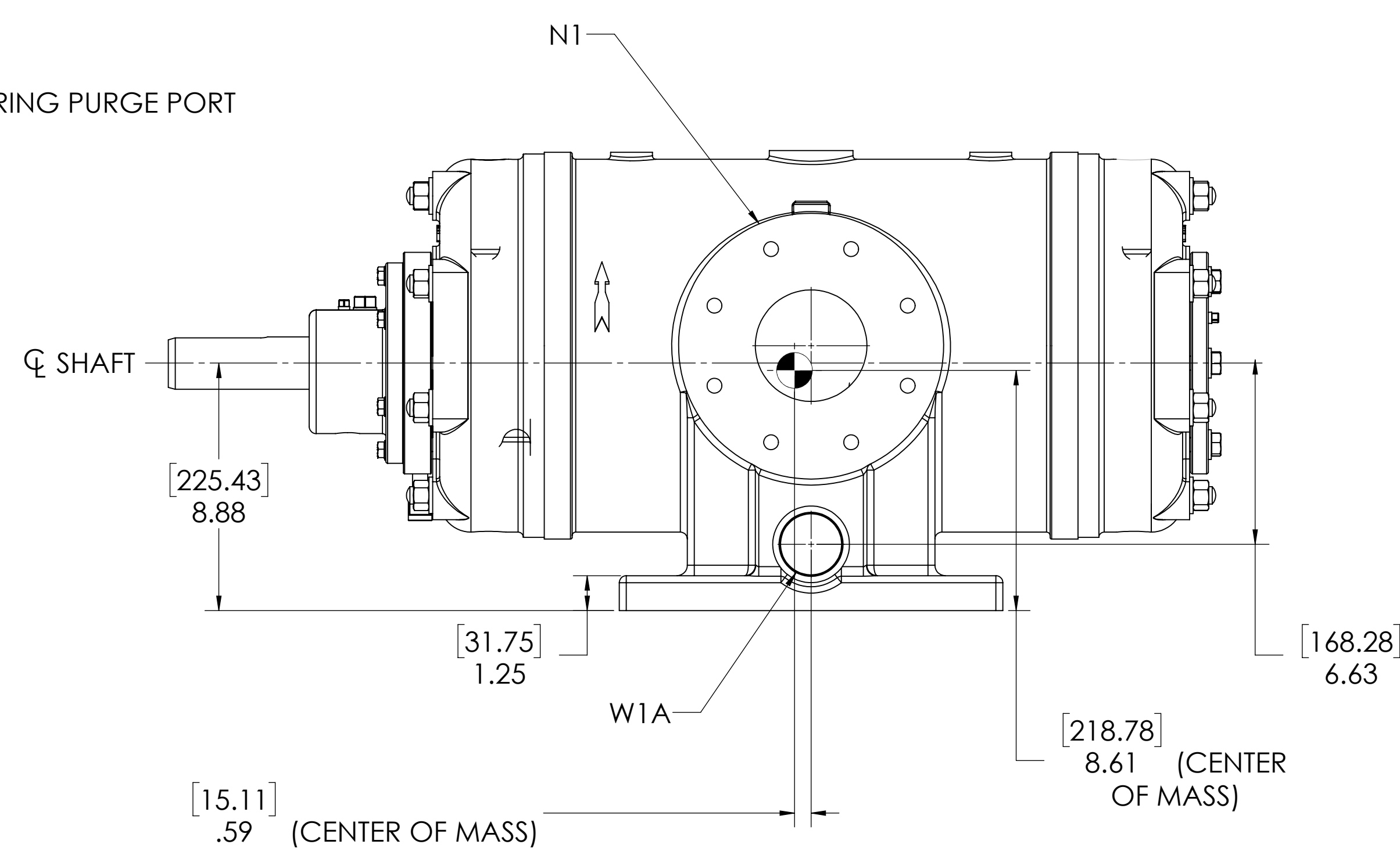
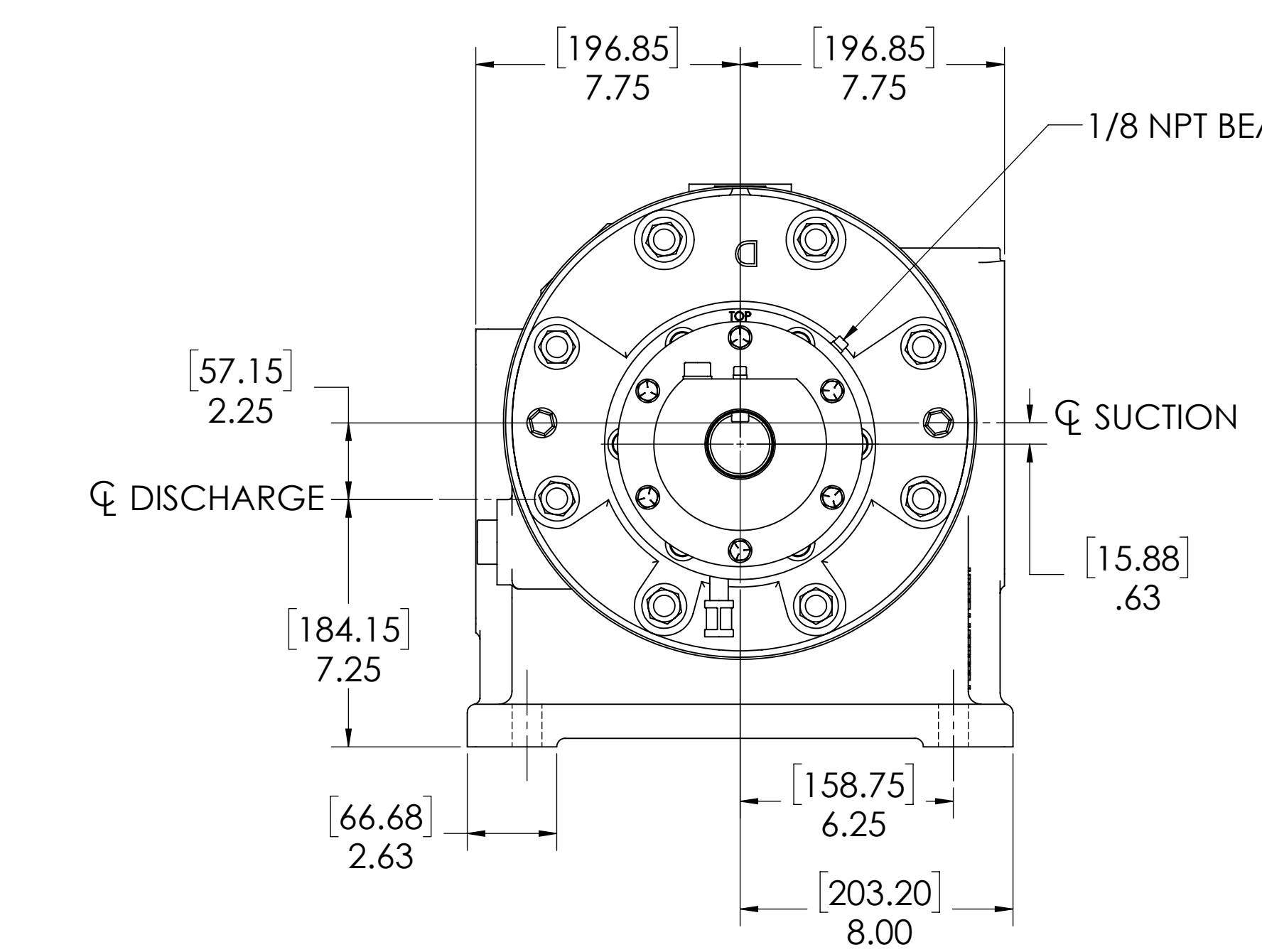


DETAIL OF ROTOR KEYWAY



- NOTES:
- CENTER OF MASS DIMENSIONS ARE APPROXIMATE
  - EITHER WATER INLET MAY BE USED, DEPENDING UPON SYSTEM NEEDS
  - WEIGHT IS APPROXIMATE
  - USE SEAL OIL RETURN PORT AS SHOWN IN TOP VIEW

NOZZLE CONNECTIONS	BOLT HOLE SIZE
N1 4" GAS SUCTION FLANGE (ANSI CLASS 150 FLAT FACE)	8 x 5/8-11 ∇ 1.00
N2 3" GAS DISCHARGE FLANGE (ANSI CLASS 150 FLAT FACE)	4 x 5/8-11 ∇ 1.00
W1A 2 NPT(F) WATER INLET (SEE NOTE 2)	N/A
W1B 1-1/2 NPT(F) WATER INLET (SEE NOTE 2)	N/A
W2 1-1/4 NPT(F) WATER OUTLET	N/A
D1 1/2 NPT (F) DRAIN HOLE	N/A
D2 1/2 NPT (F) DRAIN HOLE	N/A

SEAL LIQUID BARRIER CONNECTIONS			QTY.
LBI	SEAL LIQUID BARRIER INLET	1/2 NPT(F)	1
LBO	SEAL LIQUID BARRIER OUTLET	1/2 NPT(F)	1

LUBRICATION OIL CONNECTION		
(REFER TO MANUAL FOR FURTHER INFORMATION)		
DESCRIPTION	THREAD SIZE	QTY
LUBE QUILL(LQ)	1/4 NPT(F)	1
LUBE POINTS(LPx)	1/4 NPT(F)	6

UNLESS OTHERWISE SPECIFIED, DIMENSIONS ARE IN INCHES AND DECIMALS.

ANGULAR MACH 1 DEG  
CHAMFERED EDGES 1/16"  
TWO PLACE DECIMAL 1.00  
THREE PLACE DECIMAL 1.000

INTERPRET GEOMETRIC TOLERANCING PER: ASME Y14.5-2009

PROPERTY AND CONFIDENTIAL

THE INFORMATION CONTAINED IN THIS DRAWING IS THE SOLE PROPERTY OF RO-FLO COMPRESSORS, LLC. ANY REPRODUCTION IN PART OR AS A WHOLE WITHOUT THE WRITTEN PERMISSION OF RO-FLO COMPRESSORS, LLC IS PROHIBITED.

NAME: DATE: 6/19/2019  
DRAWN: TRF  
CHECKED: ISS  
ENG APPR: BJS  
PROJ: GENERAL ARRANGEMENT, SD8DE, CCW, DBS

SCALE: 1:4  
MATERIAL: 800 LBS  
SHEET: 1 OF 1