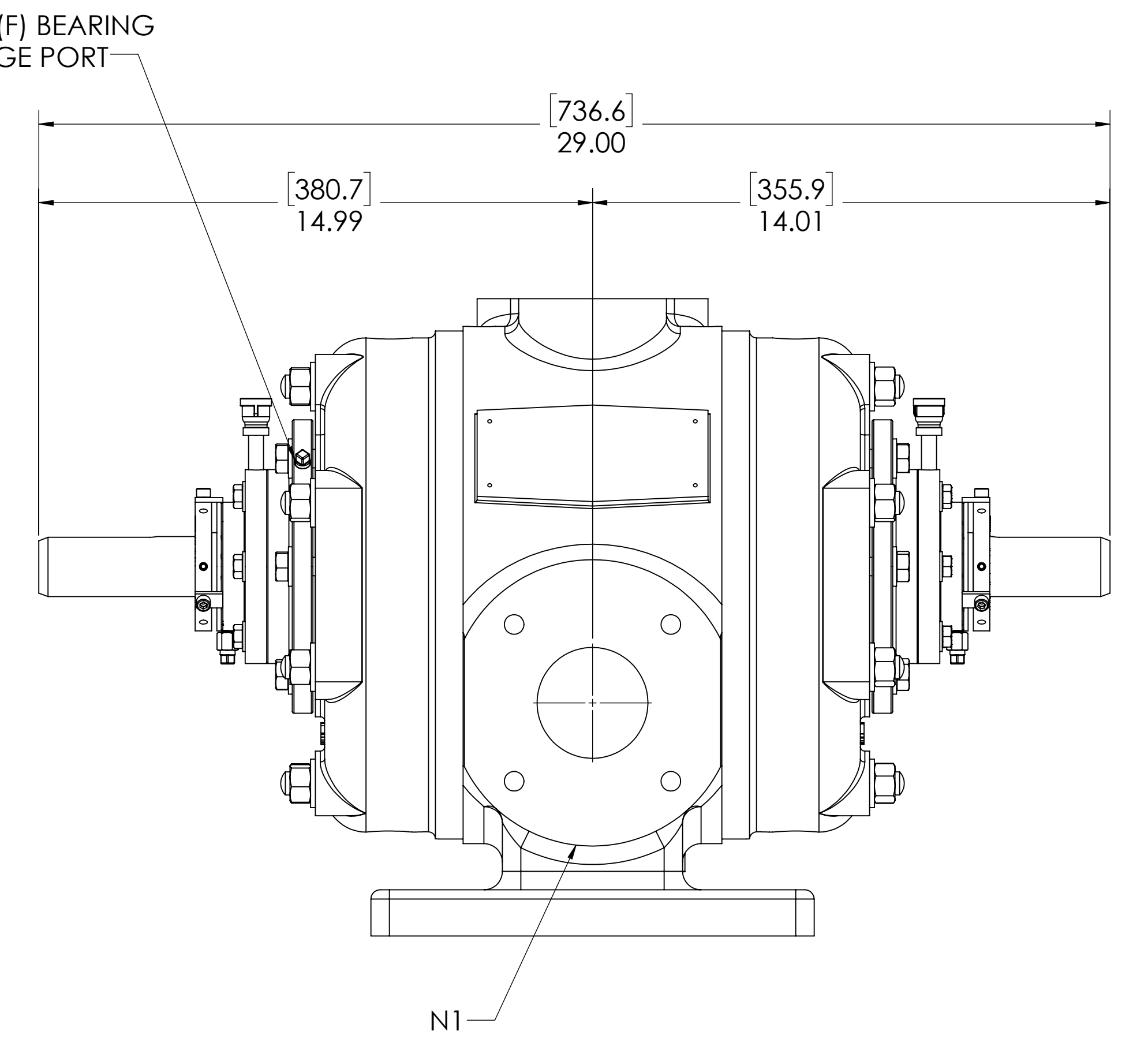
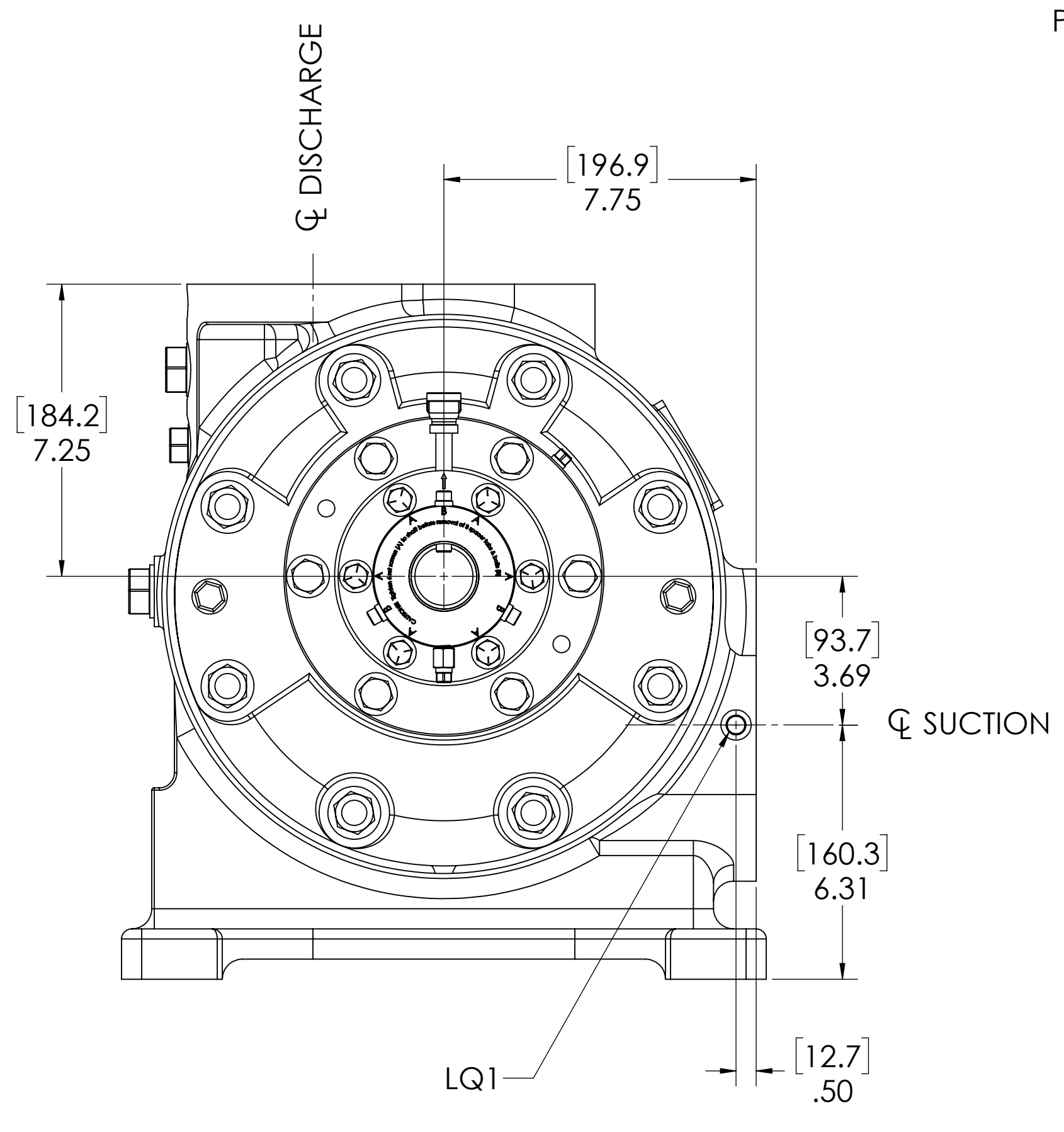
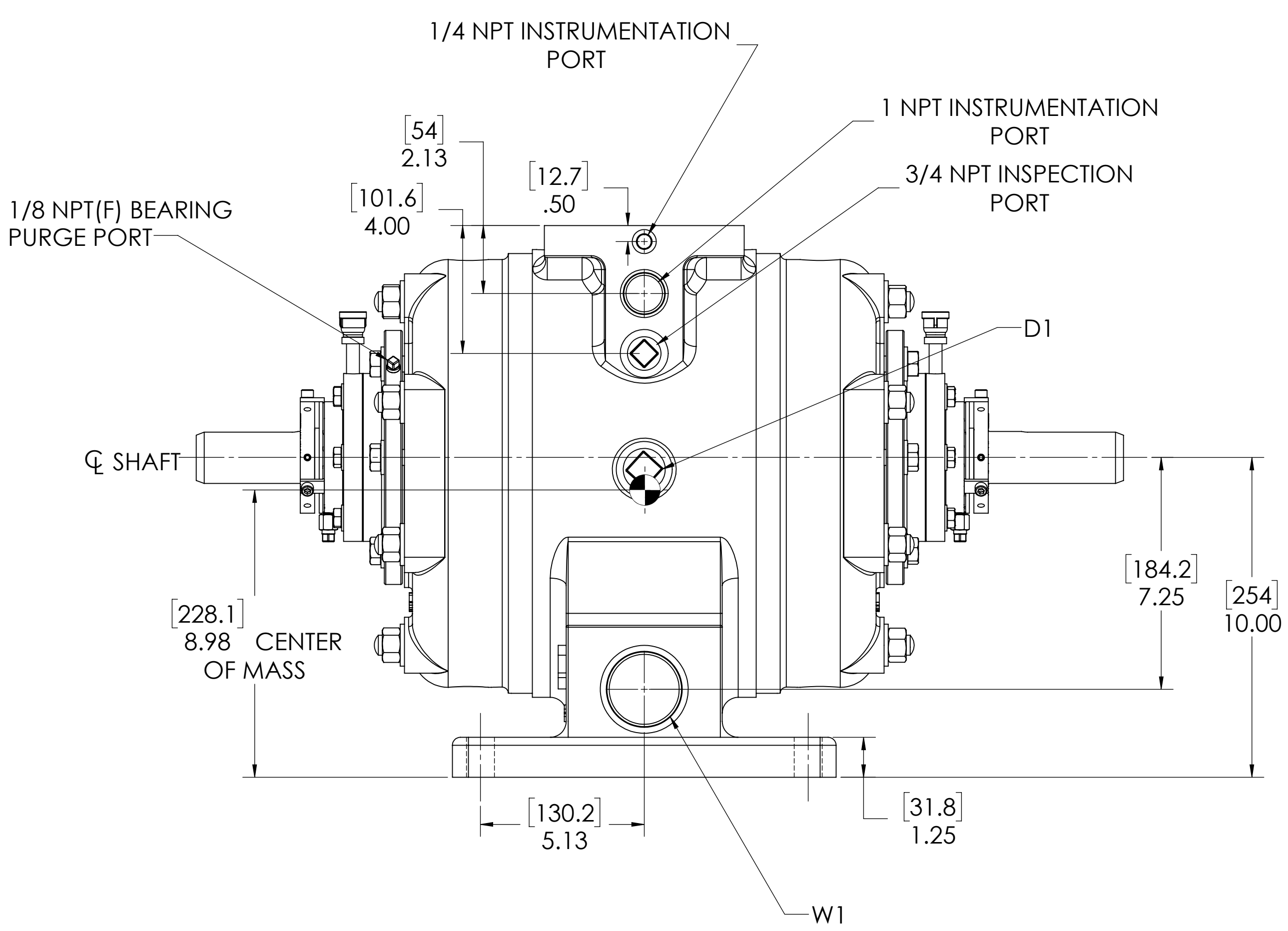
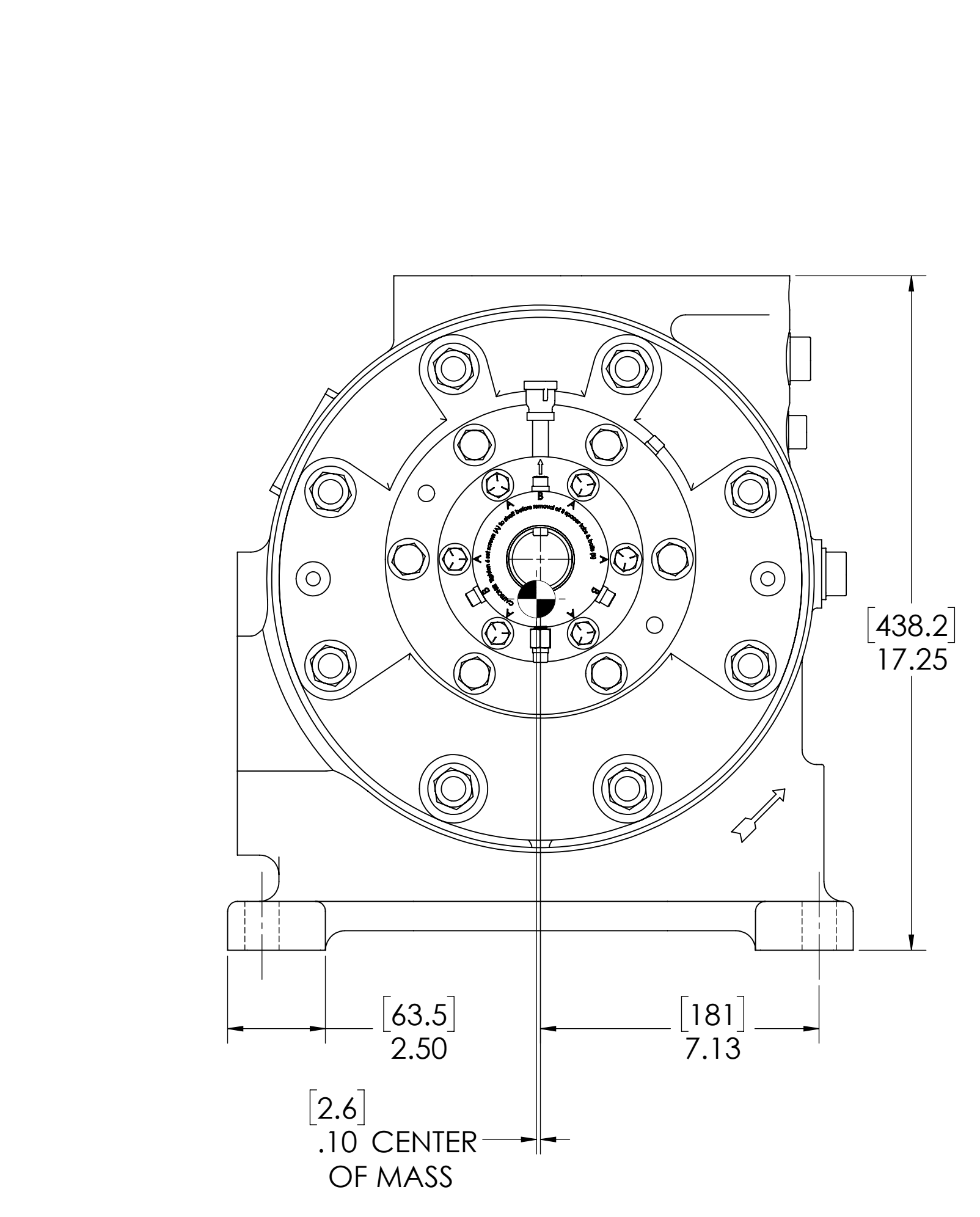
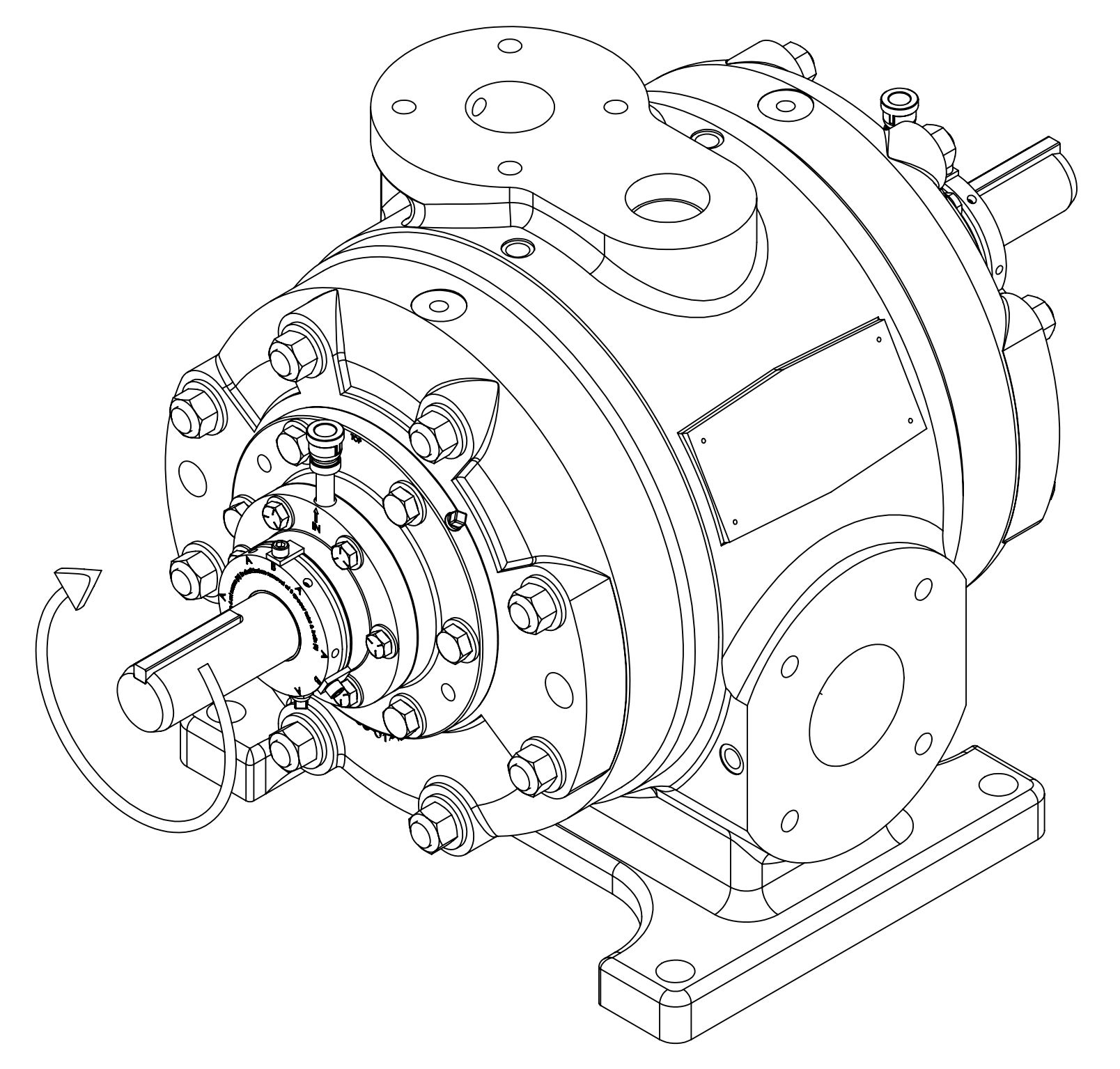
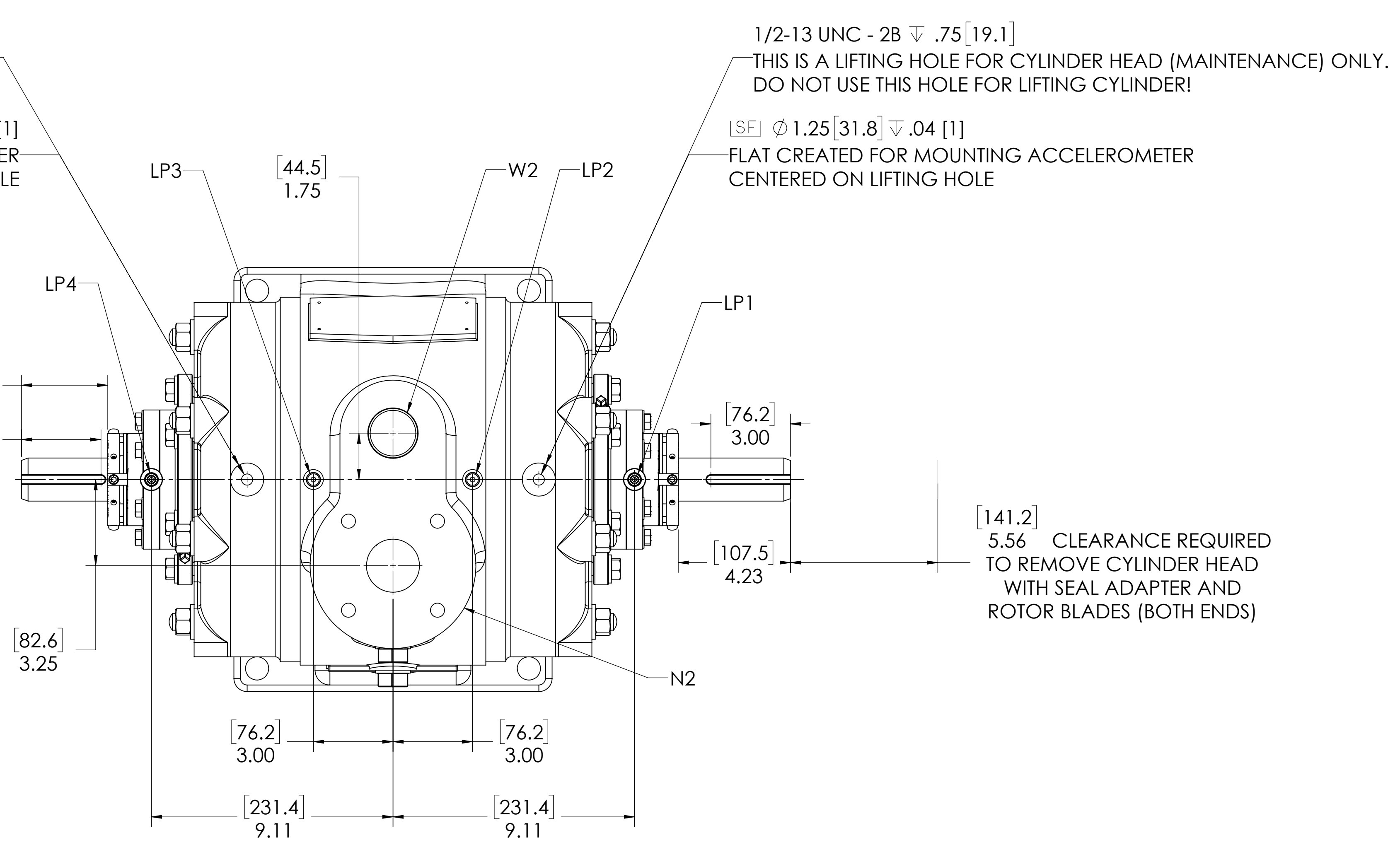
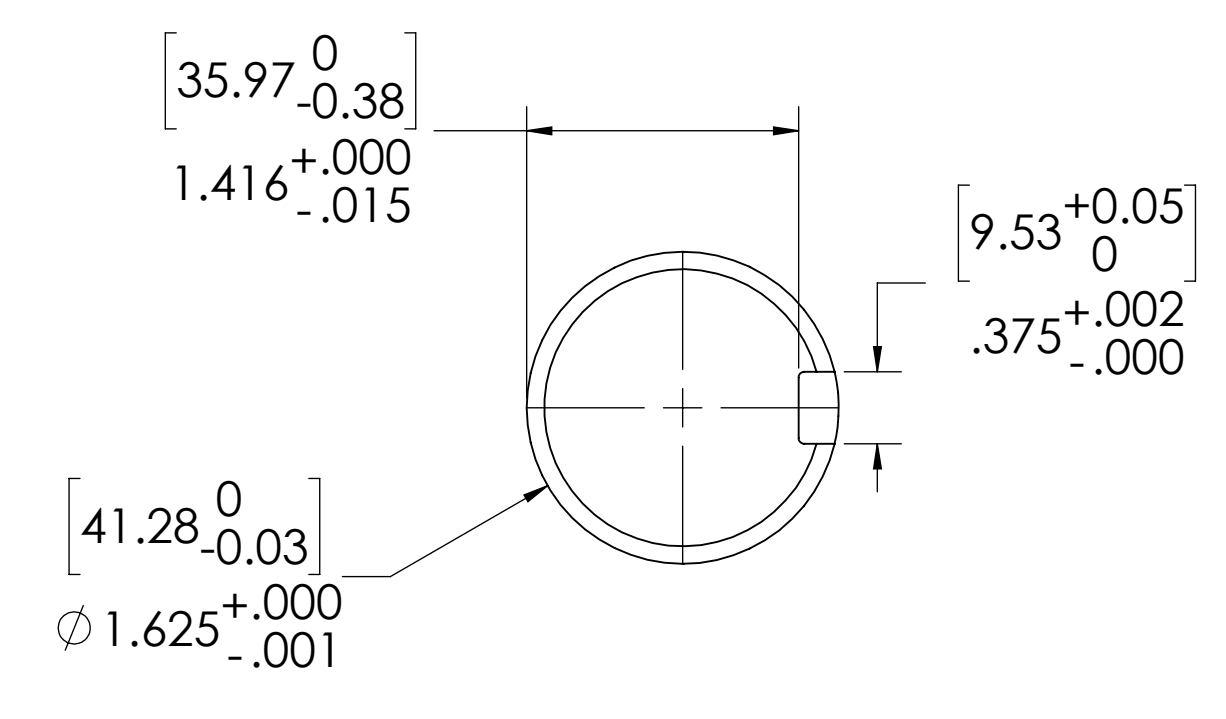
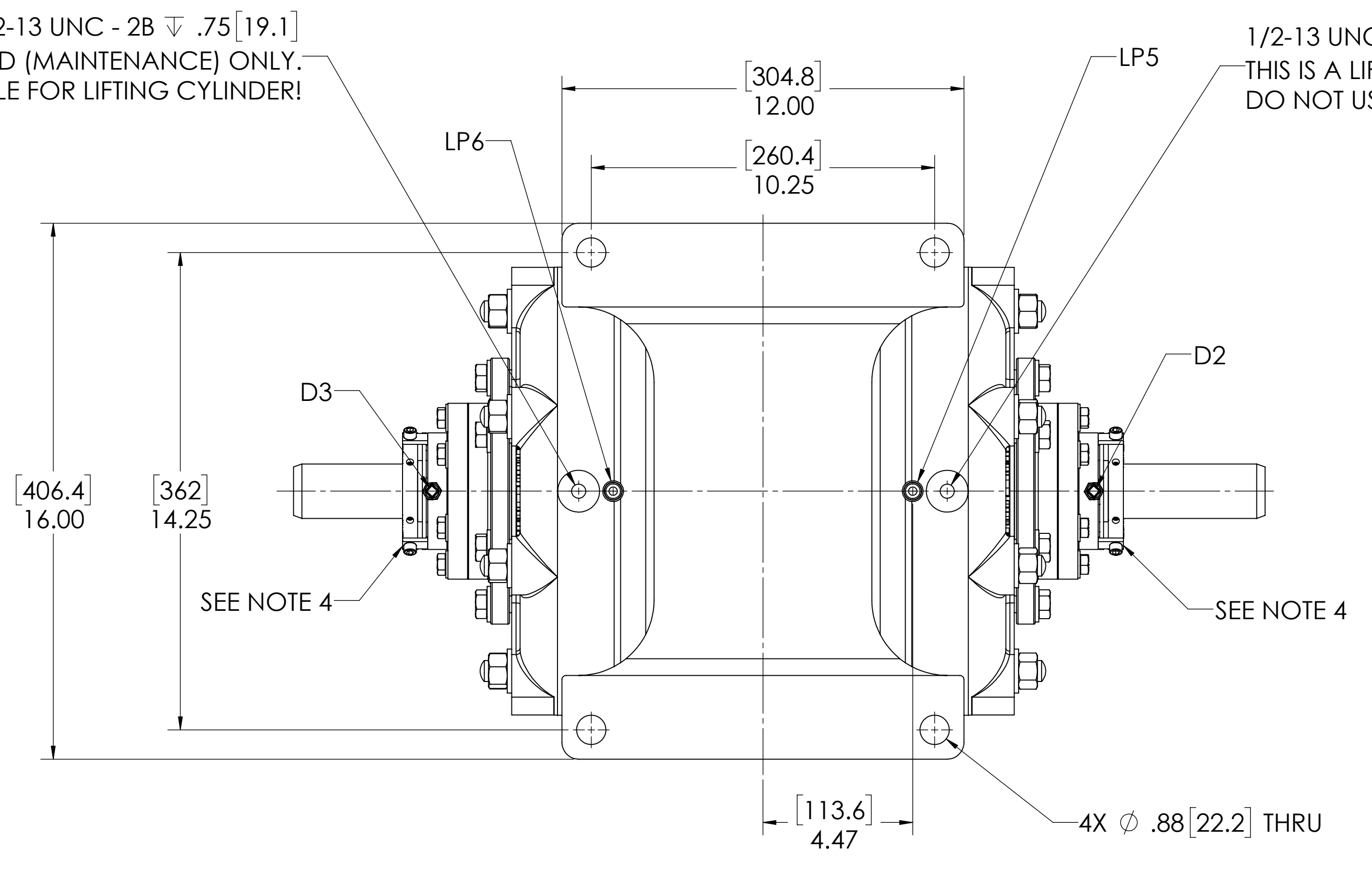


1/2-13 UNC - 2B  $\nabla$  .75 [19.1]  
 THIS IS A LIFTING HOLE FOR CYLINDER HEAD (MAINTENANCE) ONLY.  
 DO NOT USE THIS HOLE FOR LIFTING CYLINDER!

[SF]  $\phi$  1.25 [31.8]  $\nabla$  .04 [1]  
 FLAT CREATED FOR MOUNTING ACCELEROMETER  
 CENTERED ON LIFTING HOLE



1/2-13 UNC - 2B  $\nabla$  .75 [19.1]  
 THIS IS A LIFTING HOLE FOR CYLINDER HEAD (MAINTENANCE) ONLY.  
 DO NOT USE THIS HOLE FOR LIFTING CYLINDER!



1/2-13 UNC - 2B  $\nabla$  .75 [19.1]  
 THIS IS A LIFTING HOLE FOR CYLINDER HEAD (MAINTENANCE) ONLY.  
 DO NOT USE THIS HOLE FOR LIFTING CYLINDER!

- NOTES:
- CENTER OF MASS DIMENSIONS ARE APPROXIMATE
  - WEIGHT IS APPROXIMATE
  - THIS DRAWING IS DUAL DIMENSION. DIMENSIONS WITHOUT BRACKETS ARE IN INCHES, DIMENSIONS IN [BRACKETS] ARE IN MILLIMETERS.
  - REMOVE (3) RED SEAL LOCKING TABS BEFORE OPERATION. RETAIN TABS AND SCREWS FOR SERVICE (TABS MUST BE INSTALLED BEFORE SEAL REMOVAL).

LUBRICATION OIL CONNECTION		
(REFER TO MANUAL FOR FURTHER INFORMATION)		
DESCRIPTION	THREAD SIZE	QTY
LUBE QUILL (LQx)	1/4 NPT(F)	1
LUBE POINTS (LPx)	1/4 NPT(F)	6

NOZZLE CONNECTIONS		BOLT HOLE SIZE
N1	3" GAS SUCTION FLANGE (ANSI CLASS 150 FLAT FACE)	4 x 5/8-11 $\nabla$ 1.00
N2	2" GAS DISCHARGE FLANGE (ANSI CLASS 150 FLAT FACE)	4 x 5/8-11 $\nabla$ 1.00
W1	2 NPT(F) WATER INLET	N/A
W2	1-1/2 NPT(F) WATER OUTLET	N/A
D1	1 NPT (F) DRAIN HOLE	N/A
D2	1/8 NPT (F) SEAL WEEPAGE HOLE	N/A
D3	1/8 NPT (F) SEAL WEEPAGE HOLE	N/A

UNLESS OTHERWISE SPECIFIED: DIMENSIONS ARE IN INCHES, FRACTIONS ARE IN INCHES, DECIMALS ARE IN INCHES. ANGULAR MATCH-5 DEG. ONE PLACE DECIMAL. THREE PLACE DECIMAL. TOLERANCES GOVERN. UNLESS OTHERWISE SPECIFIED. DRAWING IS THE SOLE PROPERTY OF RO-FLO COMPRESSORS, LLC. ALL RIGHTS RESERVED. REPRODUCTION OR TRANSMISSION OF THIS DRAWING WITHOUT THE WRITTEN PERMISSION OF RO-FLO COMPRESSORS, LLC IS PROHIBITED.

NAME: TRF DATE: 3/29/2023  
 CHECKED: TSS 3/29/2023  
 DESIGNED: TRF 3/29/2023  
 DRAWN: TRF 3/29/2023  
 TITLE: GENERAL ARRANGEMENT, 206.207.208B, CW-SC

Ro-Flo COMPRESSORS  
 GENERAL ARRANGEMENT, 206.207.208B, CW-SC

16-123-619-003 00  
 1:3 490 LBS 1 OF 1