

1/2-13 UNC - 2B  $\nabla$  .75 [19.1]  
THIS IS A LIFTING HOLE FOR CYLINDER HEAD (MAINTENANCE) ONLY.  
DO NOT USE THIS HOLE FOR LIFTING COMPRESSOR!

$\varnothing$  1.25 [31.8]  $\nabla$  .04 FLAT MACHINED FOR  
MOUNTING AN ACCELEROMETER.

1/4 NPT DISCHARGE  
INSTRUMENTATION PORT

1/2-13 UNC - 2B  $\nabla$  .75 [19.1]  
THIS IS A LIFTING HOLE FOR CYLINDER HEAD (MAINTENANCE) ONLY.  
DO NOT USE THIS HOLE FOR LIFTING COMPRESSOR!  
 $\varnothing$  1.25 [31.8]  $\nabla$  .04 FLAT MACHINED FOR  
MOUNTING AN ACCELEROMETER.

[355.6]  
14.00 CLEARANCE REQUIRED  
TO REMOVE ROTOR BLADES

[133.4]  
5.25 CLEARANCE REQUIRED TO  
REMOVE CYLINDER HEAD  
AND END COVER.

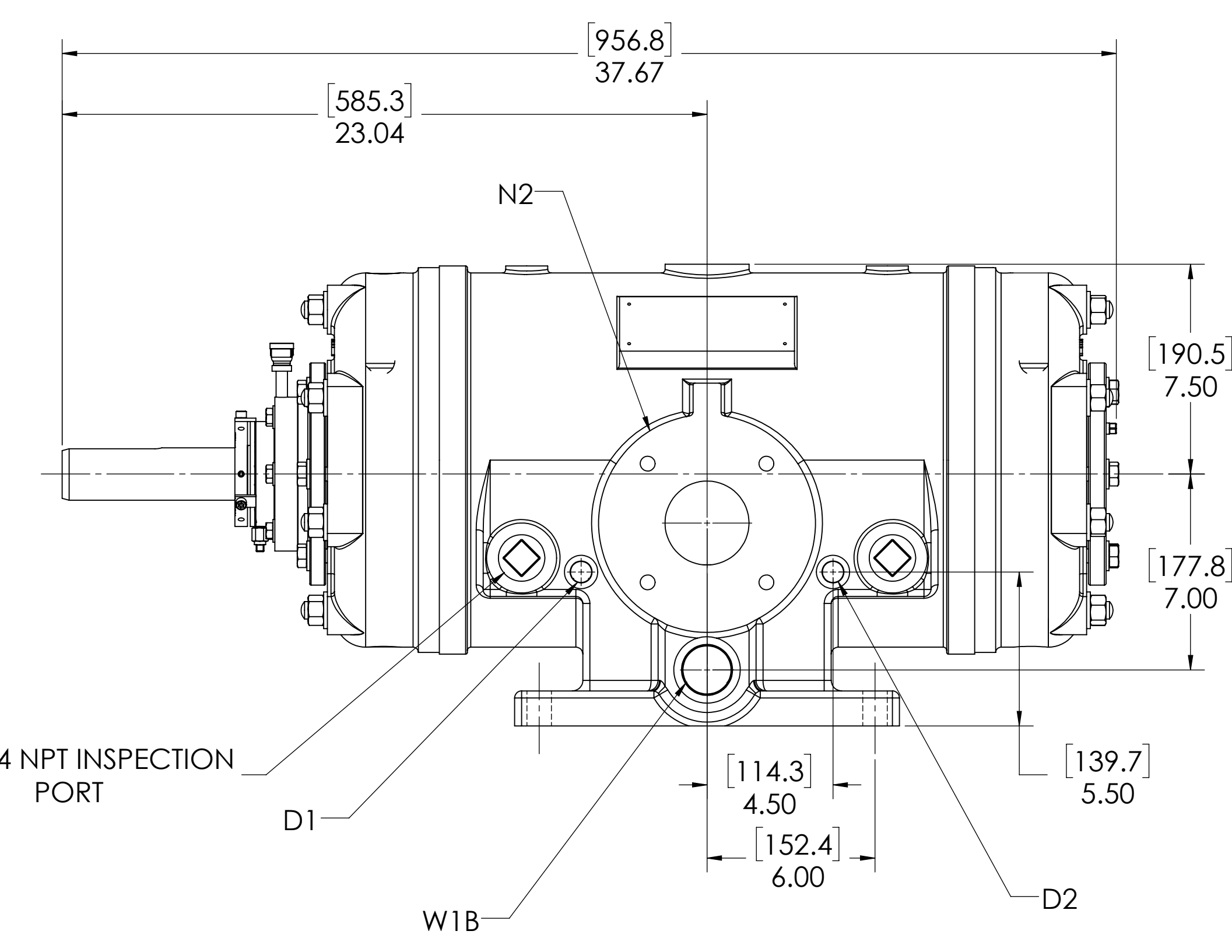
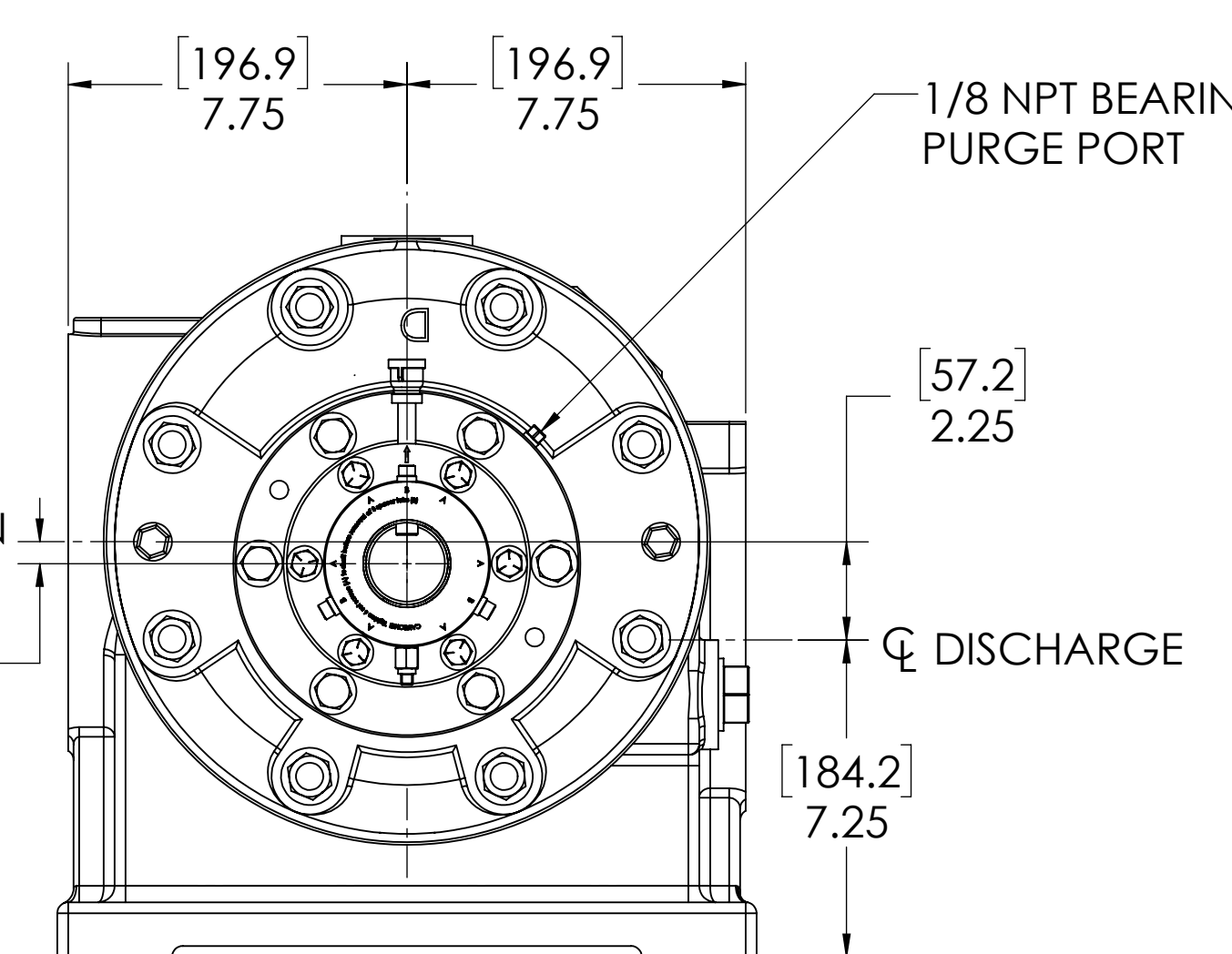
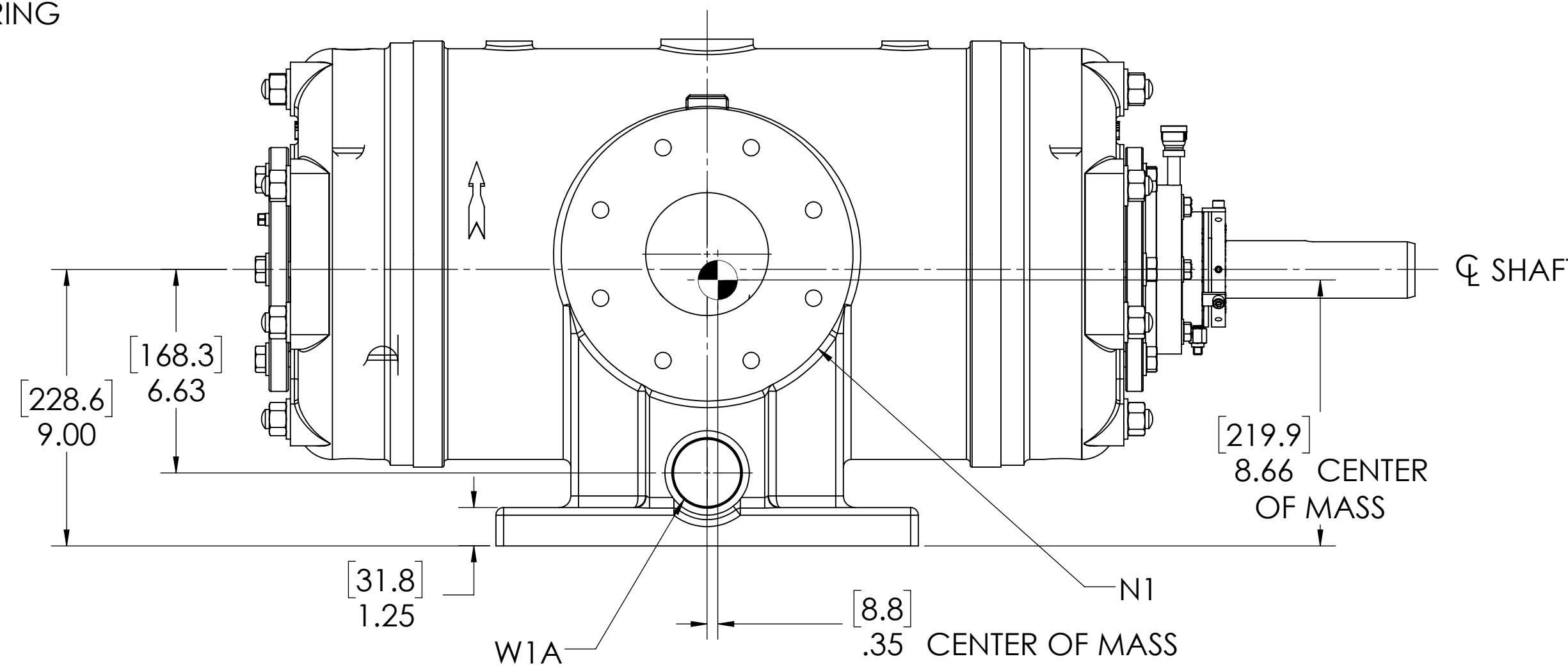
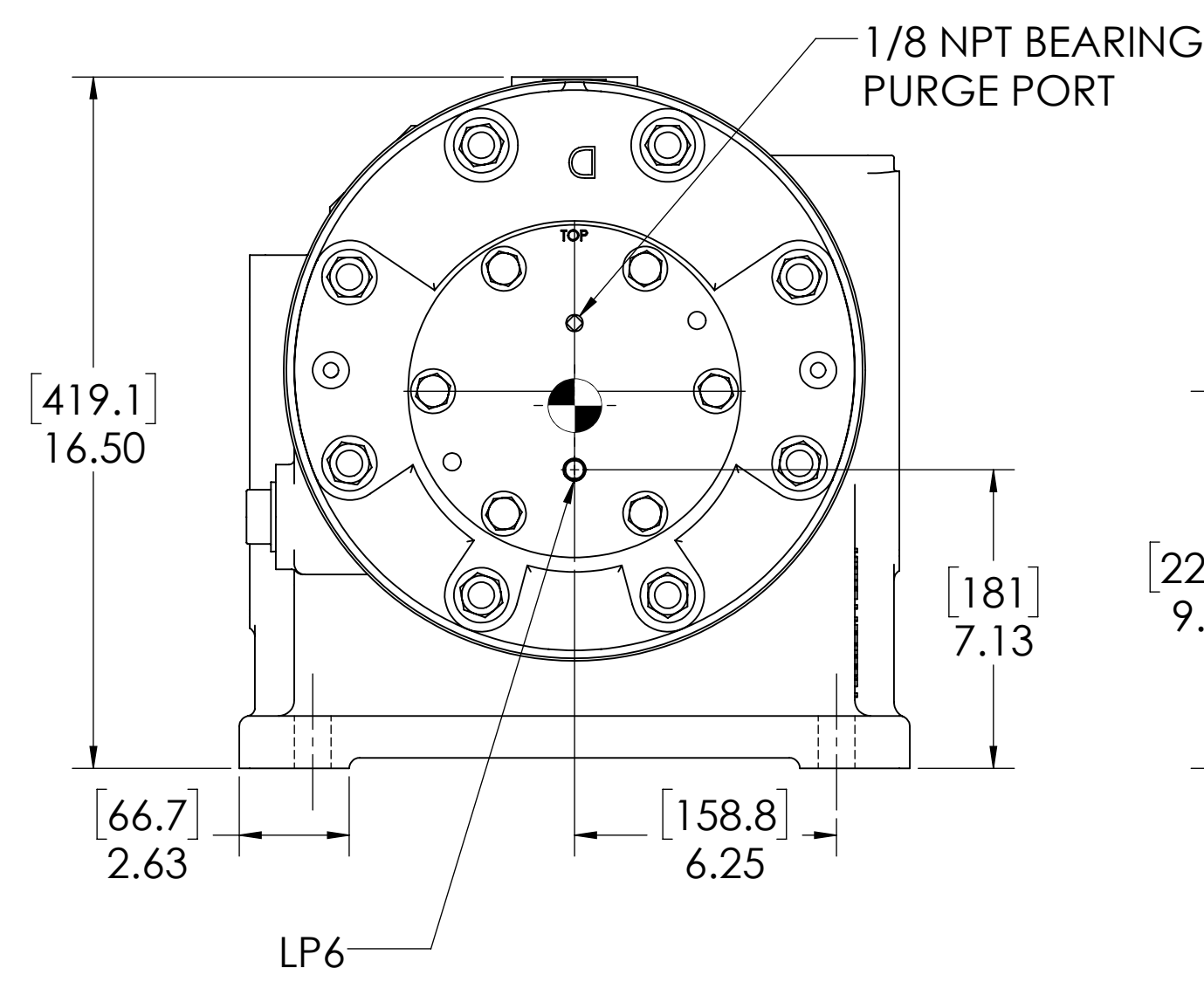
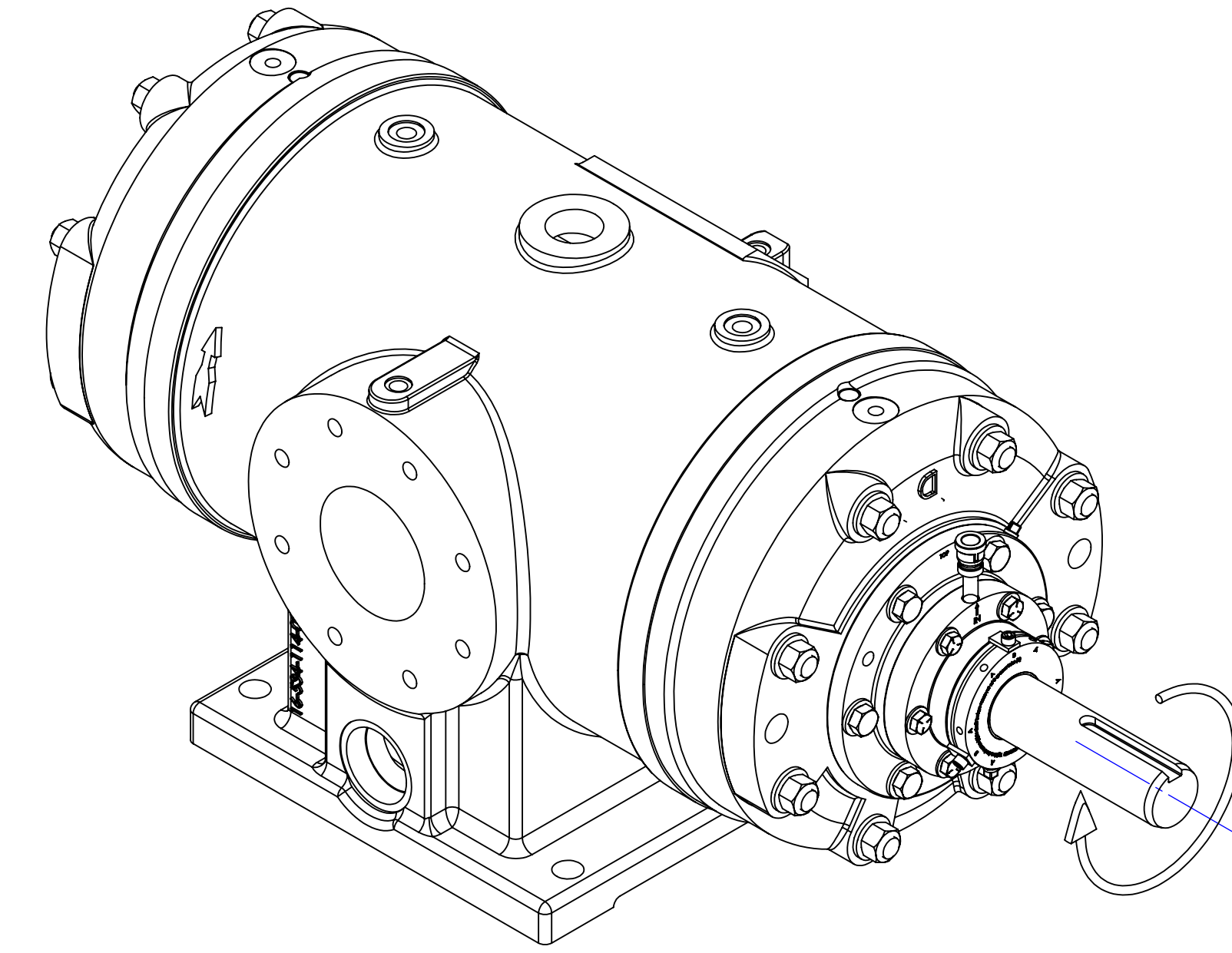
[133.4]  
5.25 CLEARANCE REQUIRED  
TO REMOVE CYLINDER HEAD AND  
SEAL ADAPTER

[12.70<sup>+0.05</sup><sub>0</sub>  
<sup>+0.002</sup>  
<sub>-.000</sub>

[40.41<sup>0</sup><sub>-0.38</sub>  
1.591<sup>+0.000</sup>  
<sub>-.015</sub>

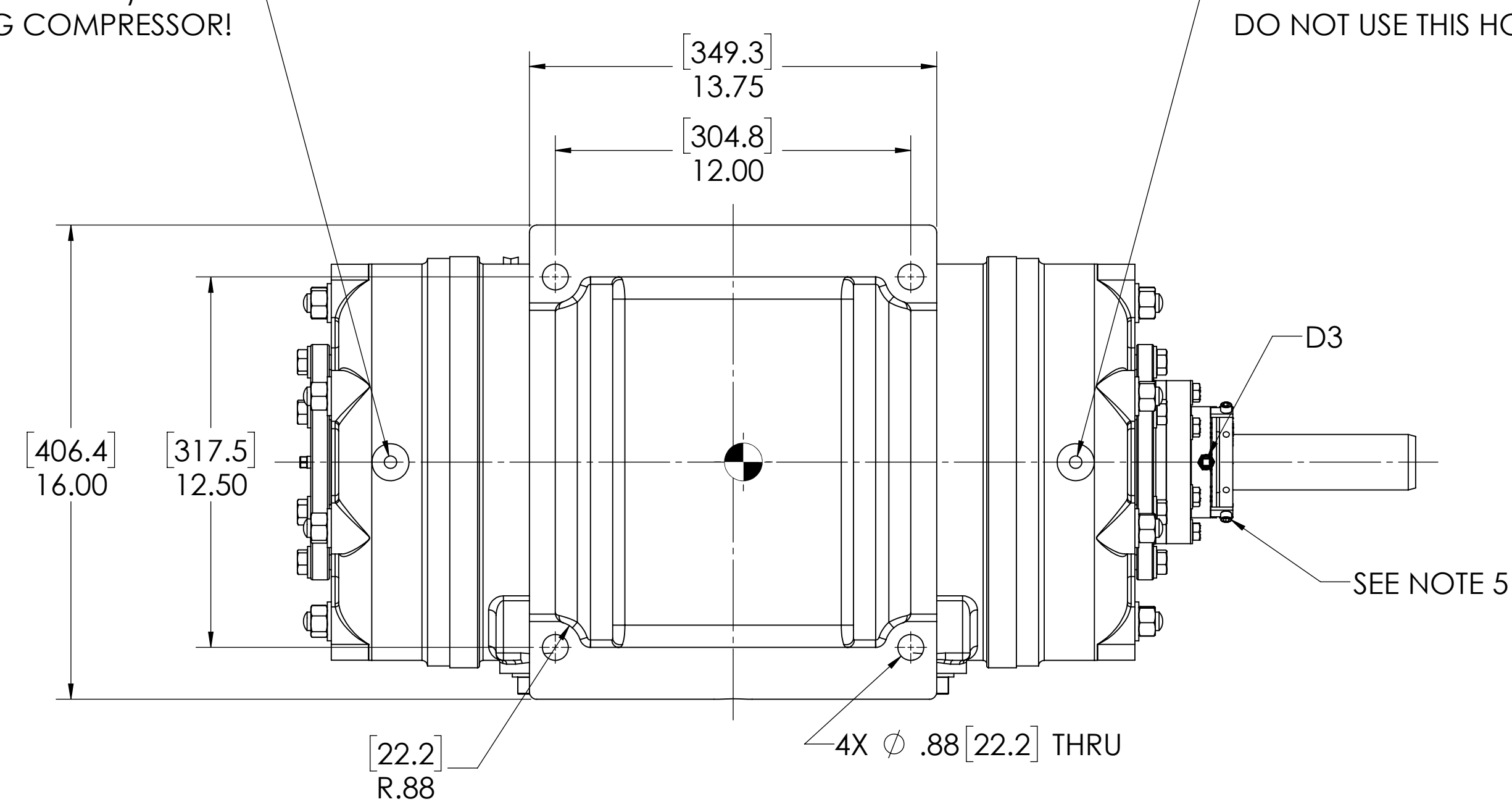
[47.63<sup>0</sup><sub>-0.03</sub>  
 $\varnothing$  1.875<sup>+0.000</sup>  
<sub>-.001</sub>

DETAIL OF ROTOR KEYWAY



1/2-13 UNC - 2B  $\nabla$  .75 [19.1]  
THIS IS A LIFTING HOLE FOR CYLINDER HEAD (MAINTENANCE) ONLY.  
DO NOT USE THIS HOLE FOR LIFTING COMPRESSOR!

1/2-13 UNC - 2B  $\nabla$  .75 [19.1]  
THIS IS A LIFTING HOLE FOR CYLINDER HEAD (MAINTENANCE) ONLY.  
DO NOT USE THIS HOLE FOR LIFTING COMPRESSOR!



NOTES:

- CENTER OF MASS DIMENSIONS ARE APPROXIMATE
- EITHER WATER INLET MAY BE USED, DEPENDING UPON SYSTEM NEEDS
- WEIGHT IS APPROXIMATE
- THIS DRAWING IS DUAL DIMENSION. DIMENSIONS WITHOUT BRACKETS ARE IN INCHES, DIMENSIONS IN [BRACKETS] ARE IN MILLIMETERS.
- REMOVE (3) RED SEAL LOCKING TABS BEFORE OPERATION. RETAIN TABS AND SCREWS FOR SERVICE (TABS MUST BE INSTALLED BEFORE SEAL REMOVAL).

	NOZZLE CONNECTIONS	BOLT HOLE SIZE
N1	4" GAS SUCTION FLANGE (ANSI CLASS 150 FLAT FACE)	8 x 5/8-11 $\nabla$ 1.00
N2	3" GAS DISCHARGE FLANGE (ANSI CLASS 150 FLAT FACE)	4 x 5/8-11 $\nabla$ 1.00
W1A	2 NPT(F) WATER INLET (SEE NOTE 2)	N/A
W1B	1-1/2 NPT(F) WATER INLET (SEE NOTE 2)	N/A
W2	1-1/4 NPT(F) WATER OUTLET	N/A
D1	1/2 NPT (F) DRAIN HOLE	N/A
D2	1/2 NPT (F) DRAIN HOLE	N/A
D3	1/8 NPT (F) SEAL WEEPAGE HOLE	N/A

LUBRICATION OIL CONNECTION		
(REFER TO MANUAL FOR FURTHER INFORMATION)		
DESCRIPTION	THREAD SIZE	QTY
LUBE QUILL(LQ)	1/4 NPT(F)	1
LUBE POINTS(LPx)	1/4 NPT(F)	6

UNLESS OTHERWISE SPECIFIED:  
DIMENSIONS ARE IN INCHES  
TOLERANCES:

ANGULAR	MACH 2 DEG	CHECKED	ISS	12/15/2022
CHAMFER	DRUM	ENG APPR	BTS	12/15/2022
FLAT PLACE	DRUM	DRG APPR	BTS	12/15/2022
ROUND PLACE	DRUM	DRG APPR	BTS	12/15/2022

PROPERTY AND CONFIDENTIALITY  
Ro-Flo  
GENERAL ARRANGEMENT,  
SD8D, CW, SC  
E 16-123-634-506 00  
SCALE 1:4 800 LBS 1 OF 1