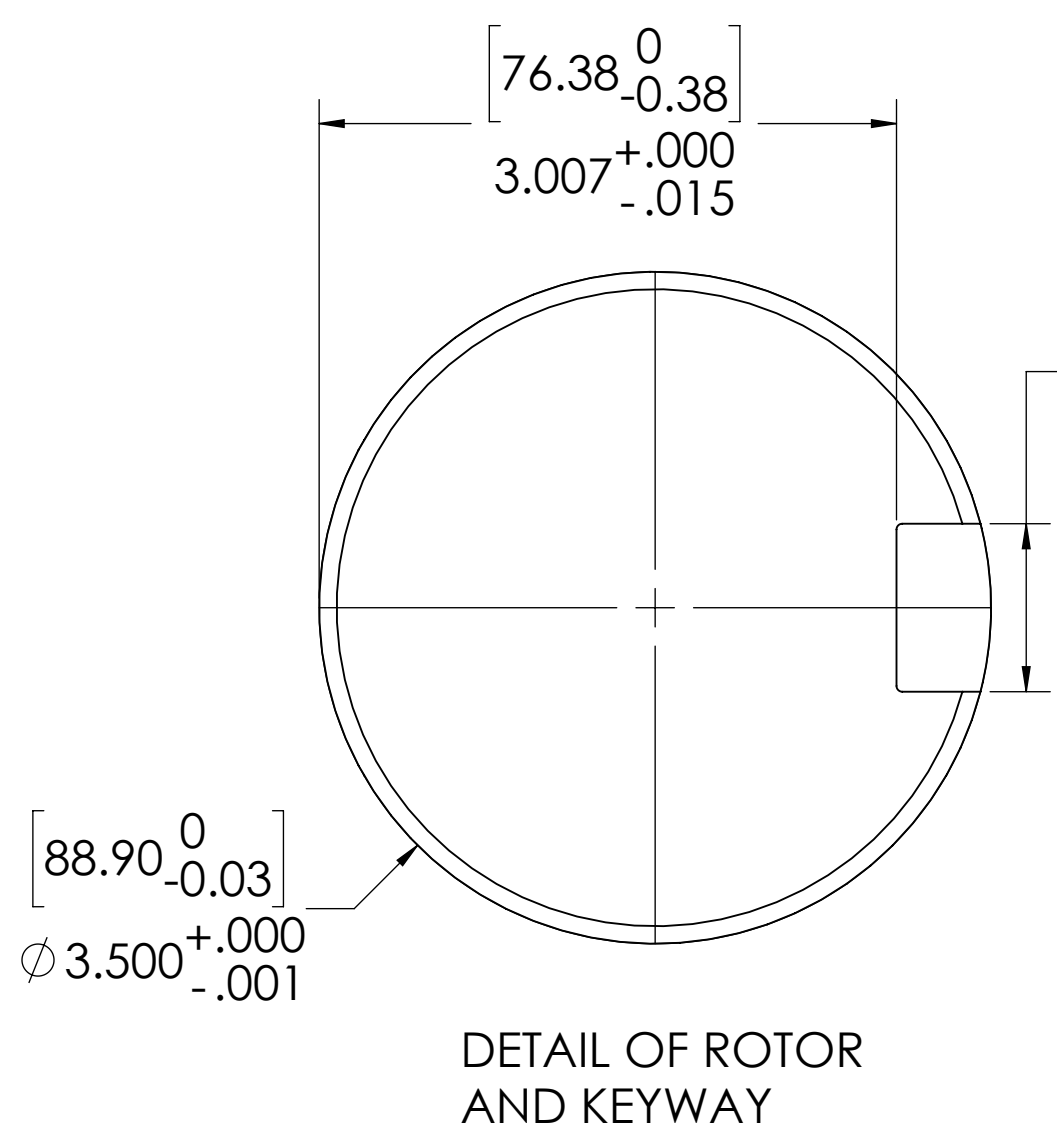
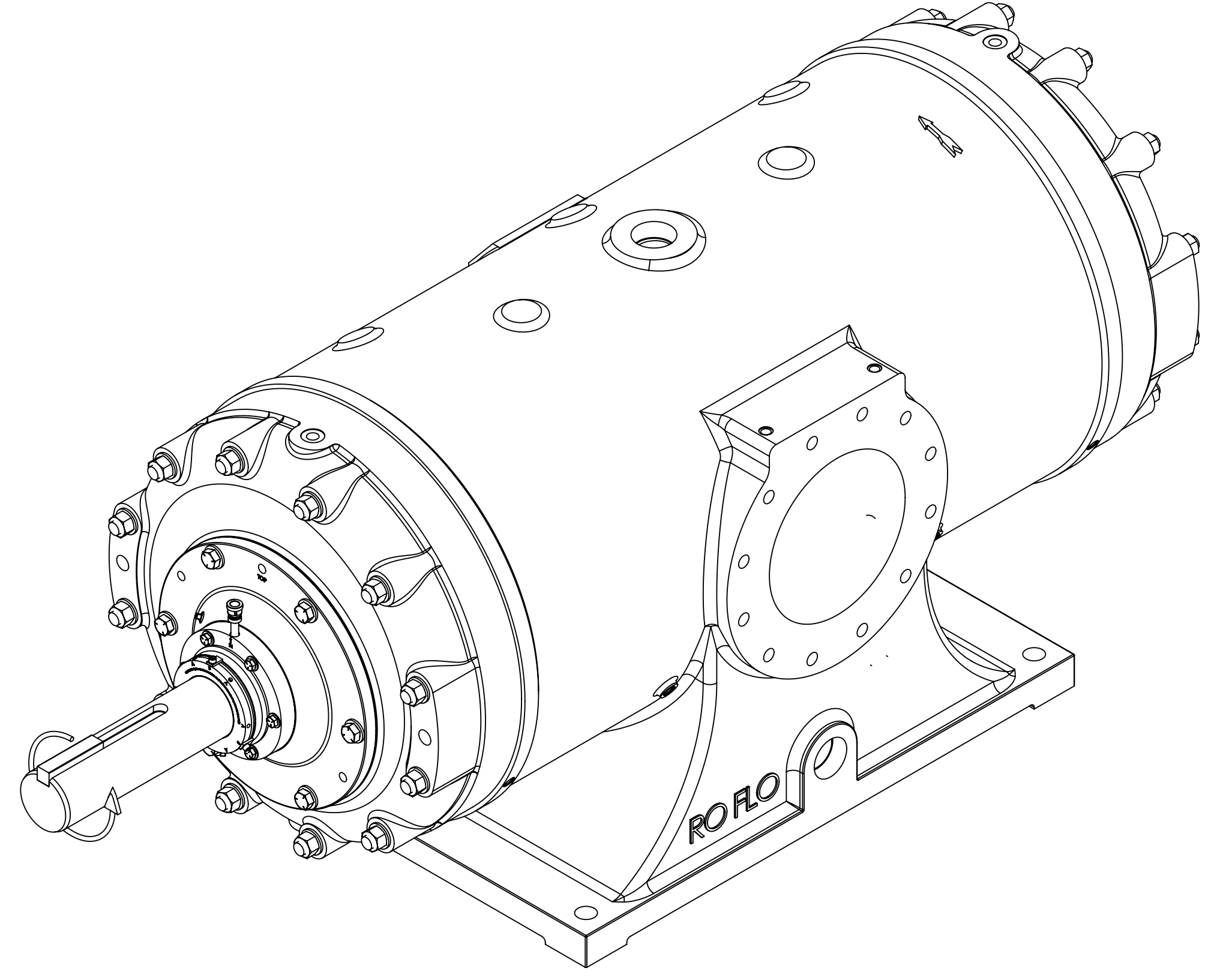


3/4-10 UNC - 2B ∇ .75 [19.1]
THIS IS A LIFTING HOLE FOR CYLINDER HEAD (MAINTENANCE) ONLY.
DO NOT USE THIS HOLE FOR LIFTING CYLINDER!

\square ϕ 1.25 [31.8] ∇ .05 FLAT CREATED
FOR MOUNTING ACCELEROMETER
CENTERED ON LIFTING HOLE.

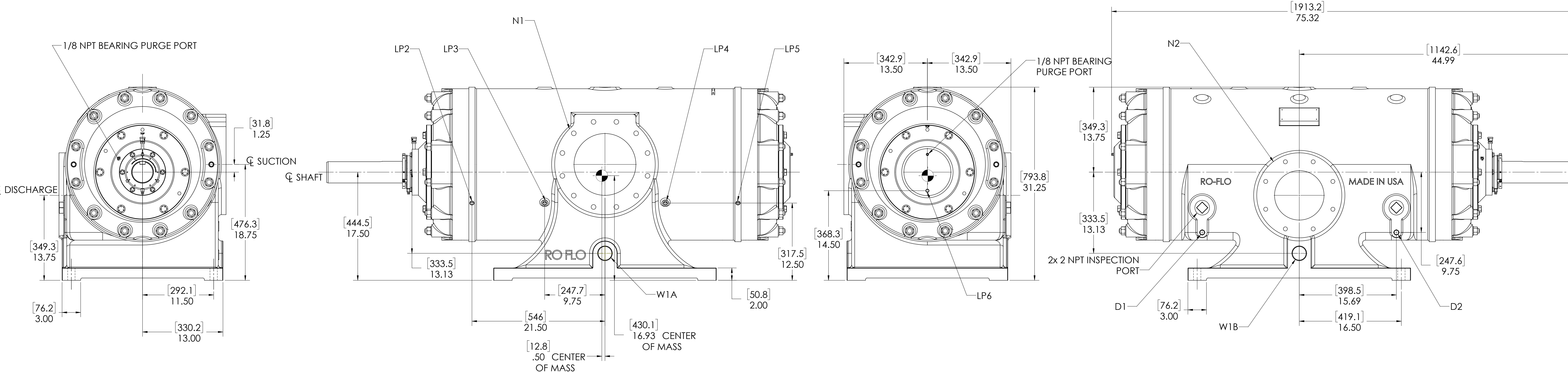
3/4-10 UNC - 2B ∇ .75 [19.1]
THIS IS A LIFTING HOLE FOR CYLINDER HEAD (MAINTENANCE) ONLY.
DO NOT USE THIS HOLE FOR LIFTING CYLINDER!

\square ϕ 1.25 [31.8] ∇ .05 FLAT CREATED
FOR MOUNTING ACCELEROMETER
CENTERED ON LIFTING HOLE.



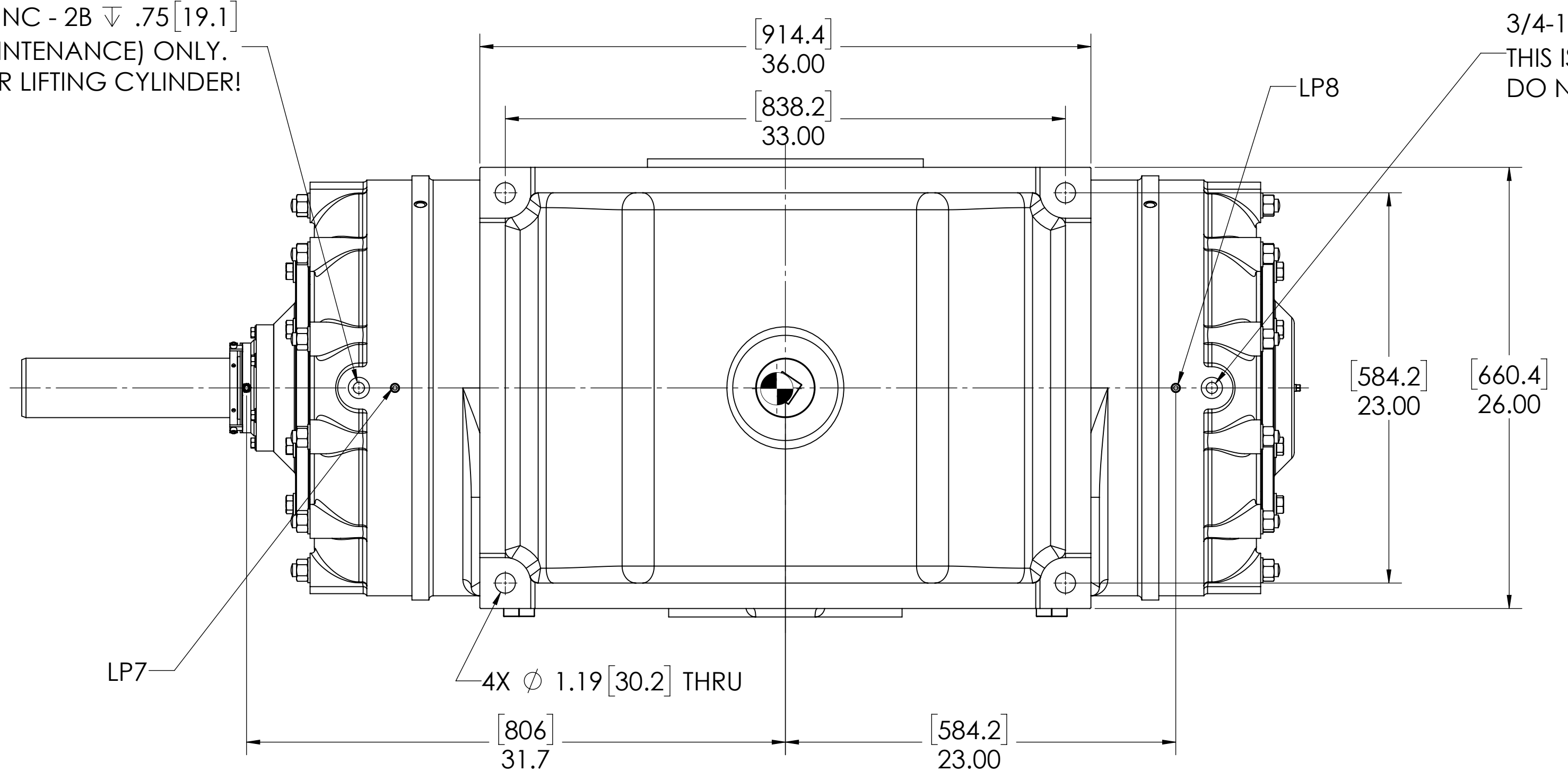
DETAIL OF ROTOR AND KEYWAY

[215.9]
8.50 CLEARANCE REQUIRED
TO REMOVE CYLINDER HEAD
AND SEAL ADAPTER



3/4-10 UNC - 2B ∇ .75 [19.1]
THIS IS A LIFTING HOLE FOR CYLINDER HEAD (MAINTENANCE) ONLY.
DO NOT USE THIS HOLE FOR LIFTING CYLINDER!

3/4-10 UNC - 2B ∇ .75 [19.1]
THIS IS A LIFTING HOLE FOR CYLINDER HEAD (MAINTENANCE) ONLY.
DO NOT USE THIS HOLE FOR LIFTING CYLINDER!



OIL CONNECTION POINTS SUMMARY		
(REFER TO MANUAL FOR FURTHER INFORMATION)		
DESCRIPTION	THREAD SIZE	QTY
LUBE QUILL(LQx)	1/4 NPT (F)	2
LUBE POINTS(LPx)	1/4 NPT (F)	8

FLANGE CONNECTIONS		BOLT HOLE SIZE
N1	10" GAS SUCTION FLANGE (ANSI CLASS 150 FLAT FACE)	12 x 7/8-9 ∇ 1.38
N2	8" GAS DISCHARGE FLANGE (ANSI CLASS 150 FLAT FACE)	8 x 3/4-10 ∇ 1.12
W1A	2 NPT(F) WATER INLET (SEE NOTE 2)	N/A
W1B	2 NPT(F) WATER INLET (SEE NOTE 2)	N/A
W2	2 NPT(F) WATER OUTLET	N/A
D1	1/2 NPT(F) DRAIN HOLE	N/A
D2	1/2 NPT(F) DRAIN HOLE	N/A
D3	1/8 NPT (F) SEAL OIL WEEPAGE DRAIN	N/A

- NOTES:
1. \bullet CENTER OF MASS DIMENSIONS ARE APPROXIMATE
 2. EITHER WATER INLET MAY BE USED, DEPENDING UPON SYSTEM NEEDS
 3. WEIGHT IS APPROXIMATE
 4. THIS DRAWING IS DUAL DIMENSION. DIMENSIONS WITHOUT BRACKETS ARE IN INCHES, DIMENSIONS IN [BRACKETS] ARE IN MILLIMETERS.
 5. REMOVE (3) RED SEAL LOCKING TABS BEFORE OPERATION. RETAIN TABS AND SCREWS FOR SERVICE (TABS MUST BE INSTALLED BEFORE SEAL REMOVAL).